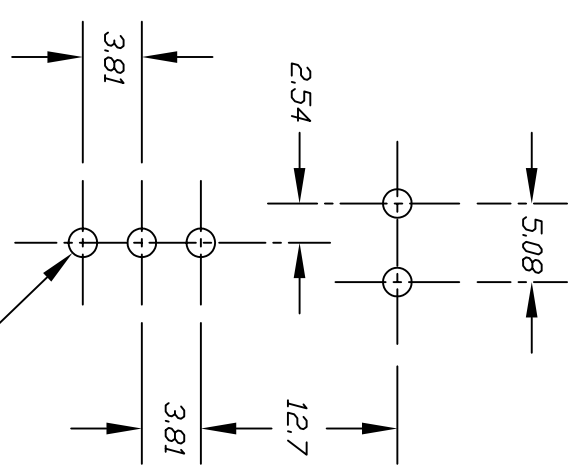
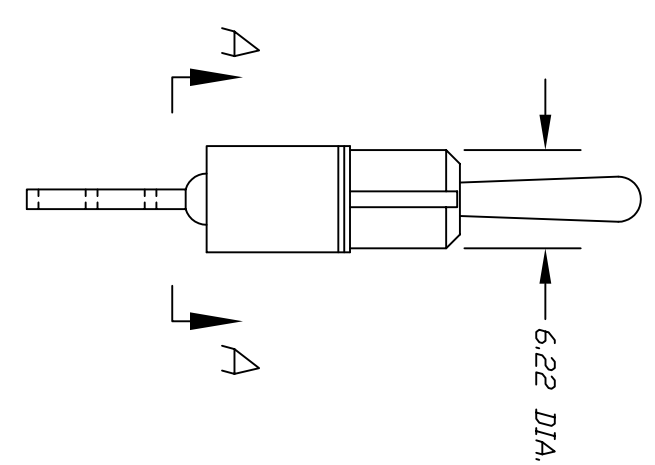
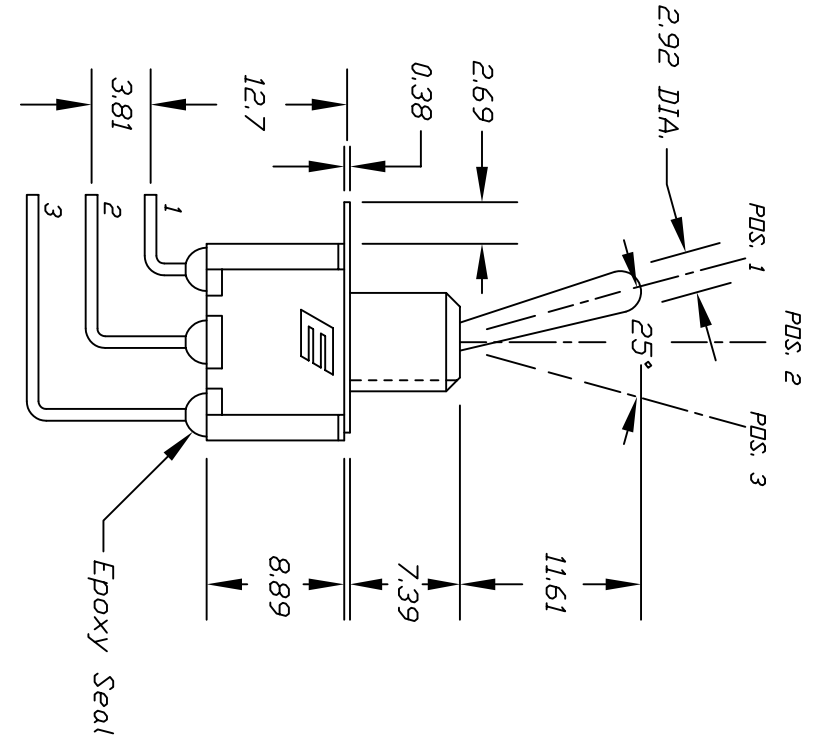
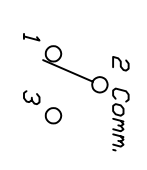


NOTE:
CONTACTS CROPPED
FOR CLARITY



P.C.B. MOUNTING HOLES



CONTACT CONFIGURATION

SWITCH FUNCTION		
POS. 1	POS. 2	POS. 3
DN	NONE	DN
2-3	OPEN	2-1

- NOTES:
1. ALL DIMENSIONS IN MM
 2. TERM. NOS. FOR REF. ONLY

REV. A	RELEASED FOR PRODUCTION	DATE	CHKD
REV.	DESCRIPTION	DATE	CHKD

TOLERANCES

0.0	±0.4
0.00	±0.25

TITLE		SCALE	DATE	DR	DWG	REV
100 SP-1 T1 B4 M7 Q E		2:1	9/18/96	MM	T111020	A

THE INFORMATION CONTAINED IN THIS DOCUMENT IS PROPRIETARY TO E-SWITCH AND IS NOT TO BE COPIED OR TRANSFERRED

