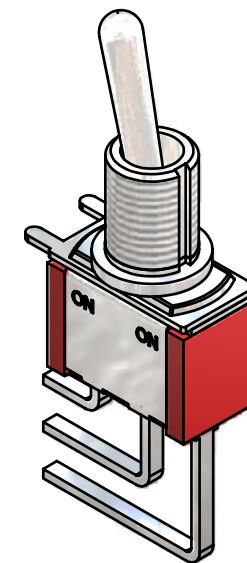
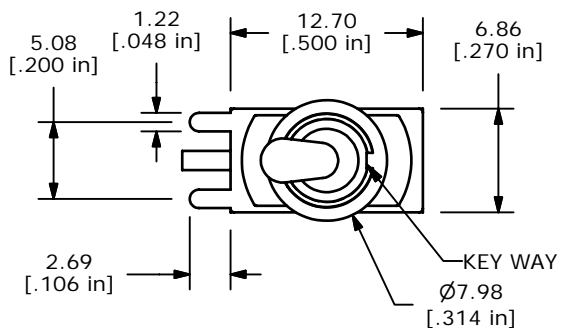
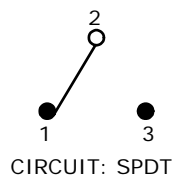


P.C. MOUNTING



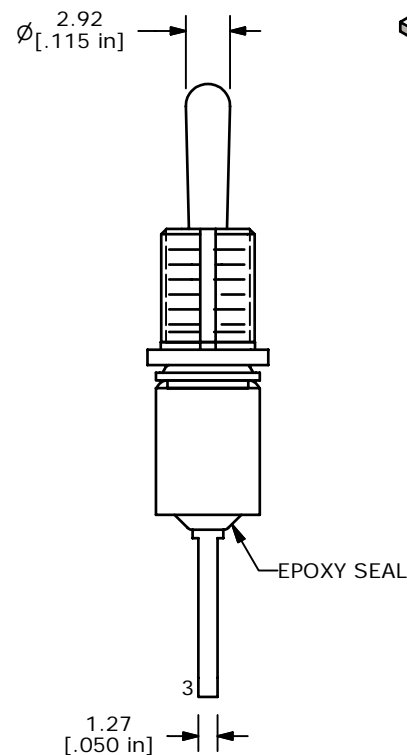
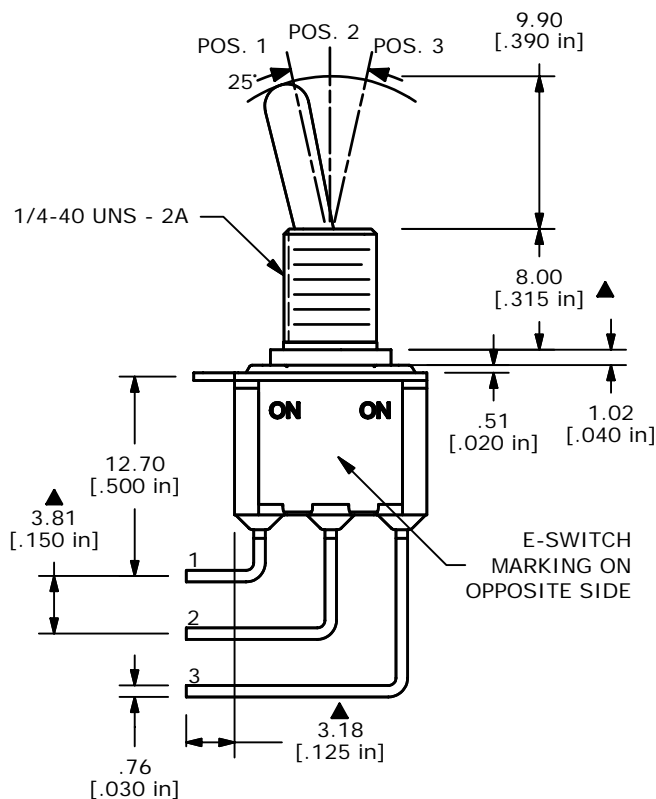
ISOMETRIC

| SWITCH FUNCTION |        |        |
|-----------------|--------|--------|
| POS. 1          | POS. 2 | POS. 3 |
|                 |        |        |
| ON              | N/A    | ON     |
| 2-3             | OPEN   | 2-1    |



CIRCUIT: SPDT

- NOTE:
1. ALL DIMENSIONS IN MM [INCH]
  2. GENERAL TOLERANCE: X.X=±0.4  
X.XX=±0.25
  3. TERMINAL NUMBERS FOR REF ONLY
  - ▲ 4. CONTACT MATERIAL: GOLD
  5. RATING: 0.4VA MAX. @ 20 VAC OR VDC MAX.
  6. ELECTRIC LIFE: 40,000 MAKE-AND-BREAK CYCLES AT FULL LOAD.
  7. INSULATION RESISTANCE: 1,000 MEGA-OHM MIN.
  8. DIELECTRIC STRENGTH: 1,000 V RMS @SEA LEVEL.
  9. OPERATING TEMP.: -30°C to 85°C
  10. ▲ DENOTES CRITICAL PARAMETER.
  11. 2002/95/EC (ROHS) COMPLIANT



**E-SWITCH®**

TITLE 100SP1T1B6M7RE

|     |        |                     |        |    |
|-----|--------|---------------------|--------|----|
| B   | 16832  | REVISED AND REDRAWN | 1/5/07 | TN |
| REV | PCR NO | DESCRIPTION         | DATE   | BY |

|       |          |    |         |     |
|-------|----------|----|---------|-----|
| SCALE | DATE     | DR | DWG     | REV |
| 2:1   | 1/5/2007 | TN | T111103 | B   |

THE INFORMATION CONTAINED IN THIS DOCUMENT IS PROPRIETARY TO E-SWITCH AND IS NOT TO BE COPIED OR TRANSFERRED