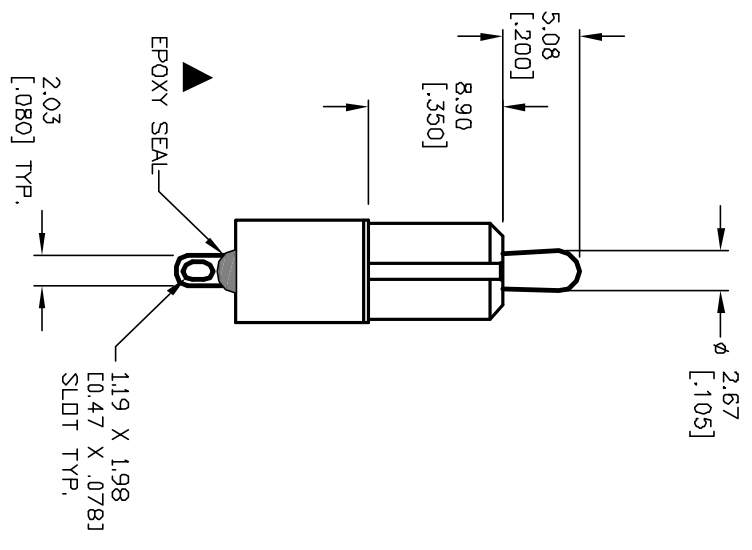
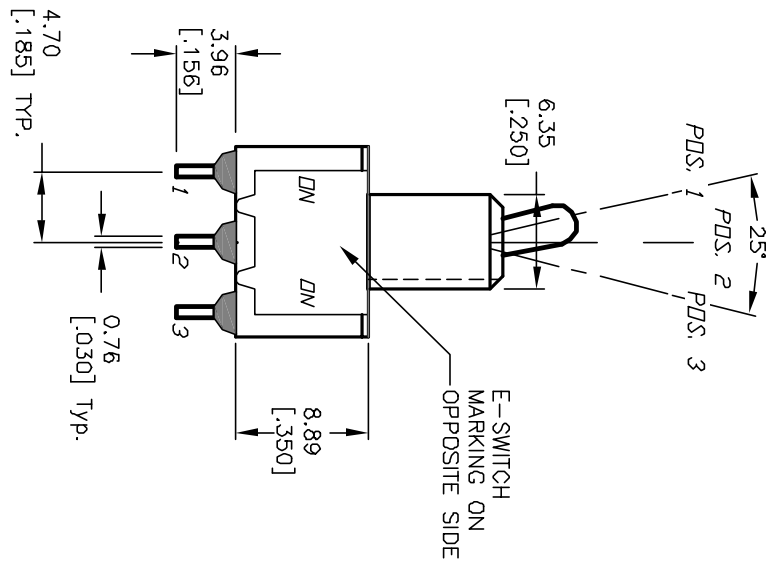
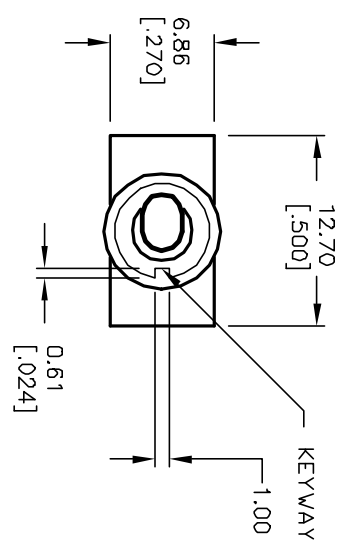


CIRCUIT: SPDT

SWITCH FUNCTION		
PDS. 1	PDS. 2	PDS. 3
DN	NDNE	DN
2-3	DPEN	2-1

NOTES:

1. ALL DIMENSIONS IN MM [INCH]
2. GENERAL TOLERANCE: X.X=±0.4  
X.XX=±0.25
3. TERM. NOS. FOR REF. ONLY
4. RATING: 5A @120VAC OR 28VDC  
2A @250VAC
5. ELECTRICAL LIFE: 50,000 make-and-break  
cycles at full load.
6. INSULATION RESISTANCE: 1,000M ohm min.
7. DIELECTRIC STRENGTH: 1000V RMS @sed level
8. OPERATING TEMP.: -30°C to 85°C



REV. B	12166	REVISED AND REDRAWN	5/20/02	CJB
ECN No.		DESCRIPTION	DATE	CHKD

TITLE	SCALE	DATE	DR	DWG	REV
100 SP-1 T2 B2 M1 Q E	2:1	5/20/02	CJB	T111013	B

THE INFORMATION CONTAINED IN THIS DOCUMENT IS PROPRIETARY TO E-SWITCH AND IS NOT TO BE COPIED OR TRANSMITTED