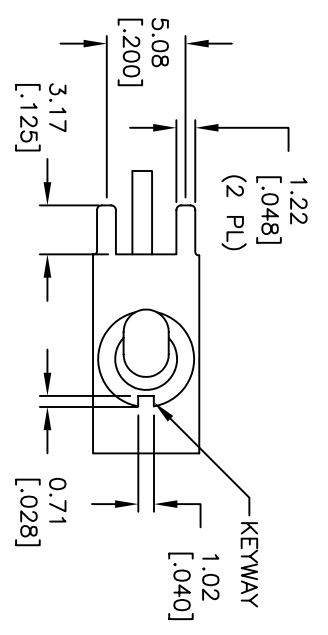
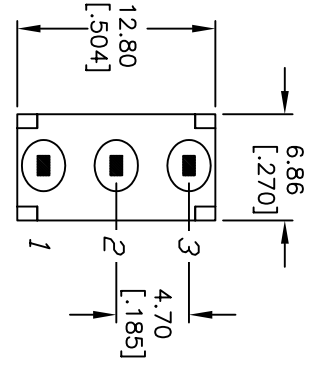


RECOMMENDED PCB LAYOUT

SPDT CIRCUIT CONTACT CONFIGURATION



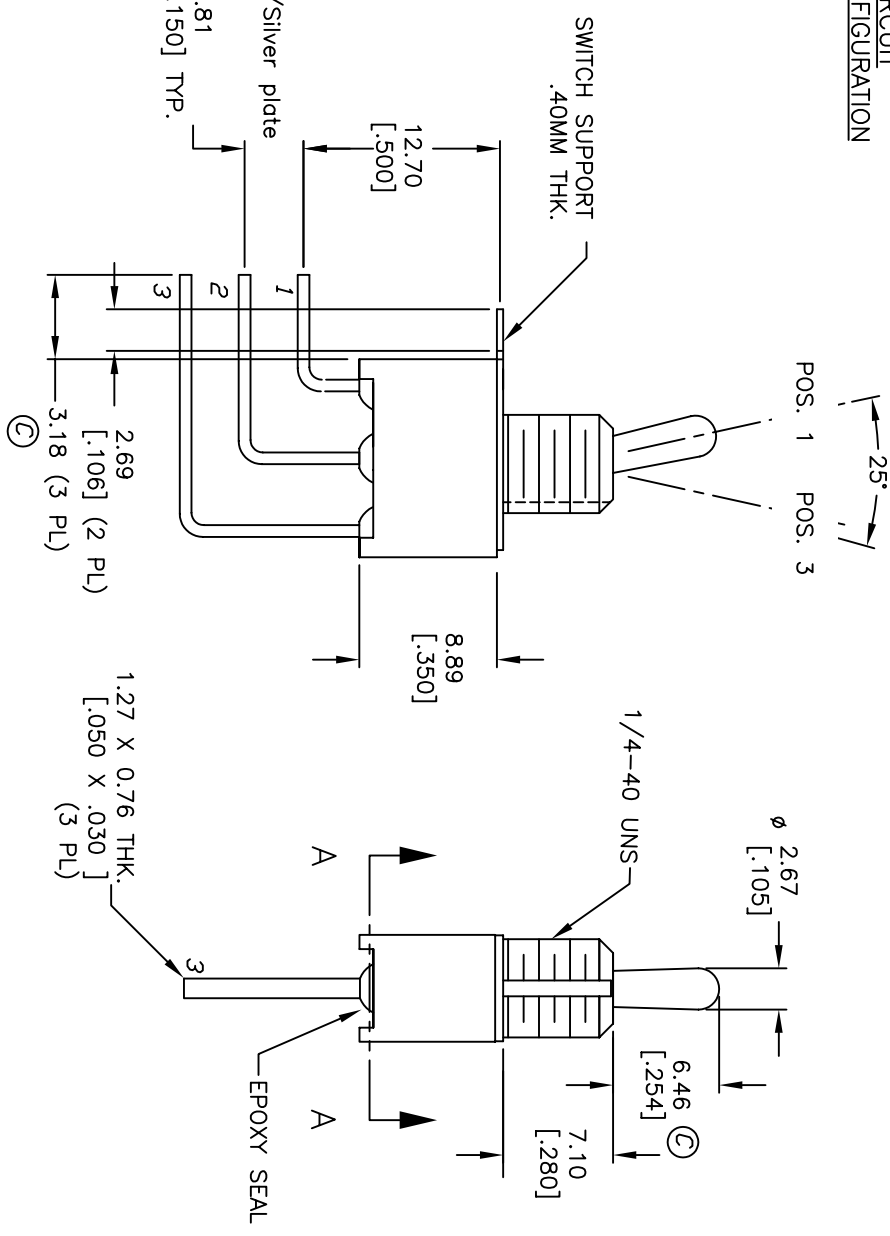
SECTION A-A



SWITCH FUNCTION			
PDS. 1	PDS. 2	PDS. 3	
DN	NONE	DN	
2-3	OPEN	2-1	

NOTES:

1. ALL DIMENSIONS IN MM [INCH]
2. GENERAL TOLERANCE: X.X=±0.4
X.XX=±0.25
3. TERM. NOS. FOR REF. ONLY
4. RATING: 5A @120VAC OR 28VDC
2A @250VAC
5. FIXED TERM. & MOVING CONTACT: Copper Alloy w/Silver plate
6. ELECTRICAL LIFE: 50,000 make-and-break cycles at full load.
7. INSULATION RESISTANCE: 1,000M ohm min.
8. DIELECTRIC STRENGTH: 1000V RMS @sed level
9. OPERATING TEMP.: -30°C to 85°C
10. 2002/95/EC (ROHS) COMPLIANT



REV.	ECN No.	DESCRIPTION	DATE	CHKD
C	15526	DIMS FROM 4.50, 6.86	11/11/05	PH
B	15497	ADD ROHS NOTE	11/3/05	PH
A	11588	RELEASED FOR PRODUCTION	8/01/01	CB

TITLE		SCALE	DATE	DR	DWG	REV
100 SP-1 T2 B3 M7 Q E		2:1	8/1/01	CB	T110237	C

E-SWITCH®

THE INFORMATION CONTAINED IN THIS DOCUMENT IS PROPRIETARY TO E-SWITCH AND IS NOT TO BE COPIED OR TRANSFERRED