

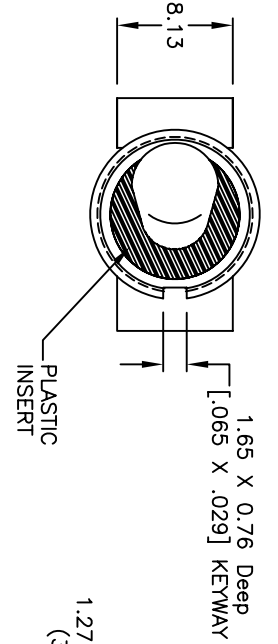
RECOMMENDED P.C.B. LAYOUT CIRCUIT: SPDT

SWITCH FUNCTION		
POS. 1	POS. 2	POS. 3
DN	NONE	DN
2-3	OPEN	2-1

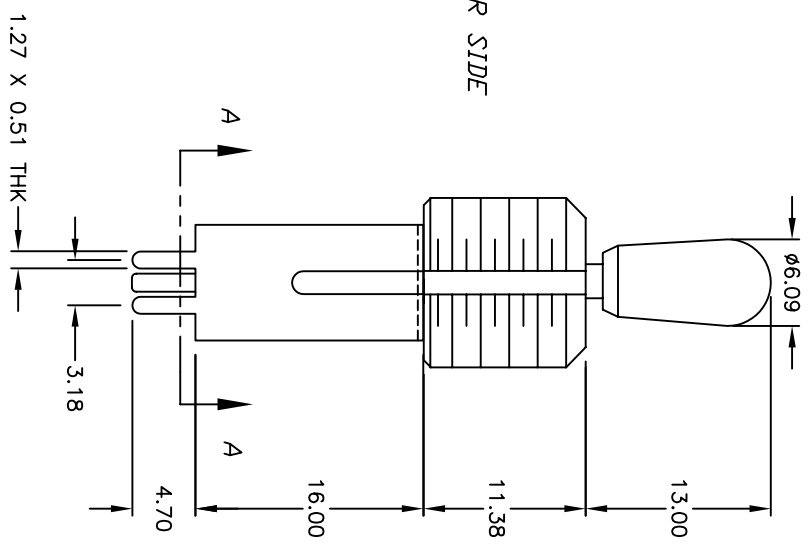
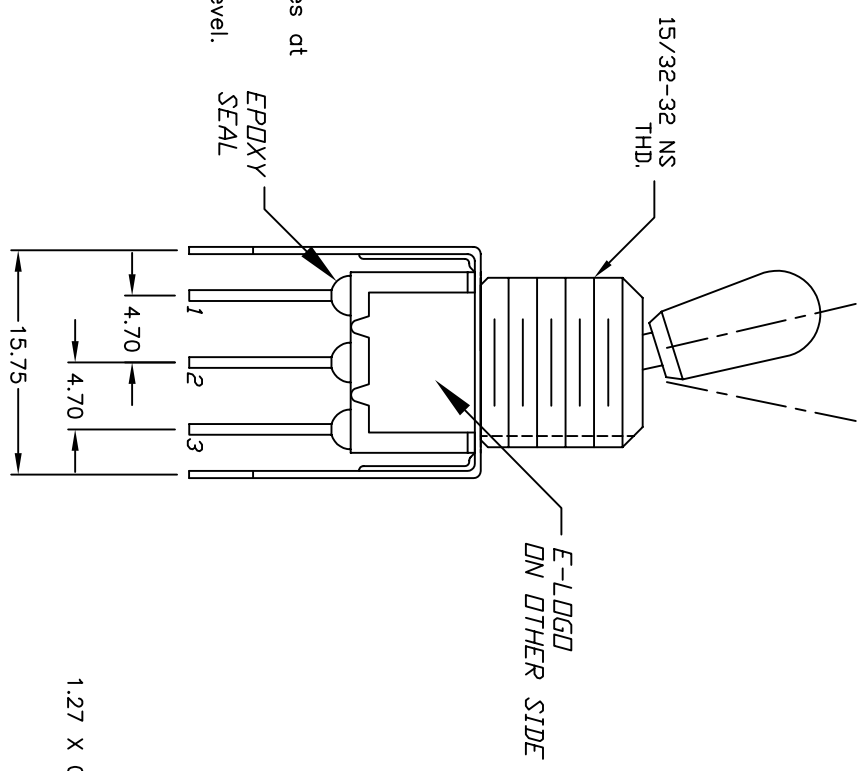
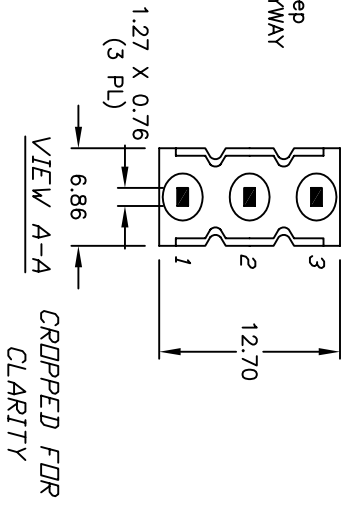
( ) = MOMENTARY

NOTES:

1. ALL DIMENSIONS IN MM
2. GENERAL TOLERANCE: X.X=±0.4  
X.XX=±0.25
3. TERM. NOS. FOR REF. ONLY
4. RATING: 0.4VA @20 (AC or DC)
5. FIXED TERM. & MOVING CONTACT:  
Copper alloy w/GOLD plate over  
Nickel plate
6. ELECTRICAL LIFE: 50,000 make-and-break cycles at full load.
7. INSULATION RESISTANCE: 1000M ohm min.
8. DIELECTRIC STRENGTH: 1000V RMS min. @sea level.
9. OPERATING TEMP.: -30°C to +85°C
10. MATERIAL: ACTUATOR: Brass Chrome plated  
BUSHING: Brass Nickel plated.  
HOUSING: STAINLESS STEEL
11. 2002/95/EC (ROHS) COMPLIANT



POS. 1 POS. 2 POS. 3



**E-SWITCH®**

REV.	ECN NO.	DESCRIPTION	DATE	CHKD
C	15483	ADD ROHS NOTE	11/1/05	PH
B	14164	UPDATE ACTUATOR	7/13/04	AR
A	12069	RELEASED FOR PRODUCTION	4/18/02	CB

TITLE	SCALE	DATE	DR	DWG	REV
100 SP-1 T7 B13 VS3 R E (GOLD CONTACTS)	2:1	4/18/02	CB	T110011	C

THE INFORMATION CONTAINED IN THIS DOCUMENT IS PROPRIETARY TO E-SWITCH AND IS NOT TO BE COPIED OR TRANSFERRED