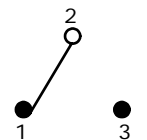


P.C. MOUNTING

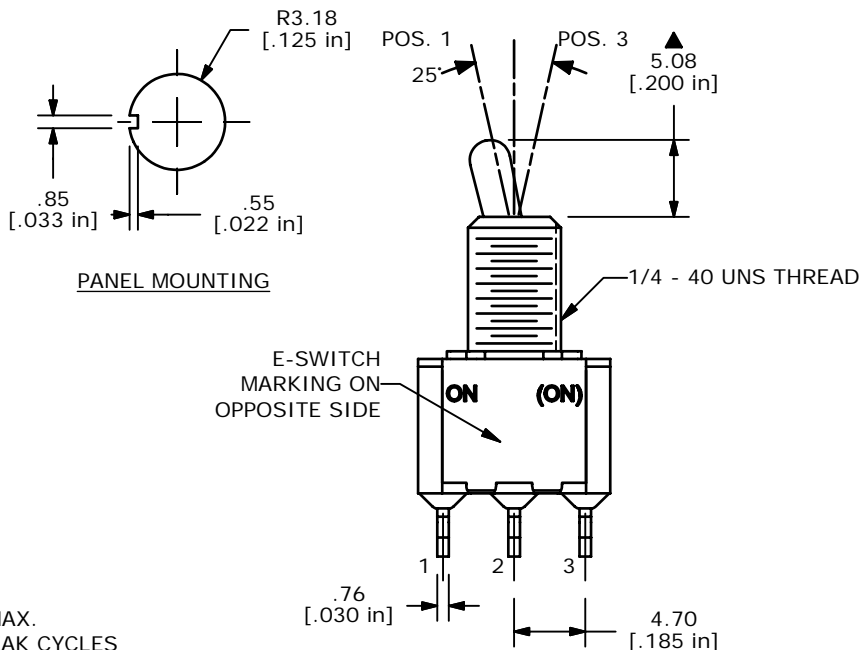
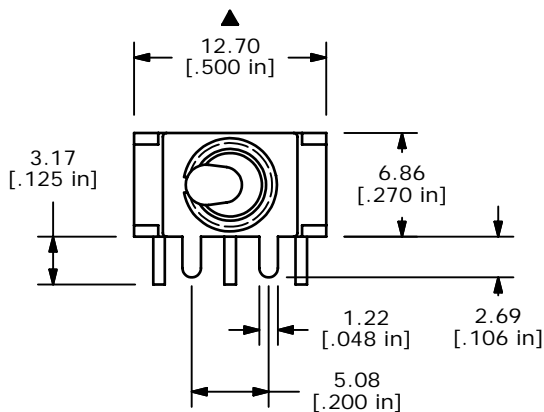
SWITCH FUNCTION		
POS. 1	POS. 2	POS. 3
ON	NONE	(ON)
2-3	N/A	2-1



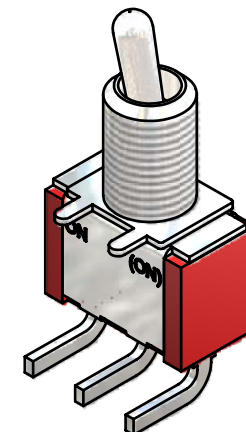
CIRCUIT: SPDT

NOTE:

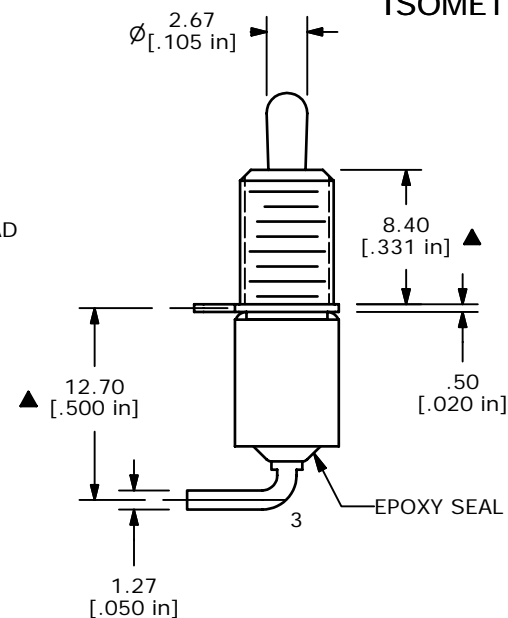
1. ALL DIMENSIONS IN MM [INCH]
2. GENERAL TOLERANCE: X.X=±0.4
X.XX=±0.25
3. TERMINAL NUMBERS FOR REF ONLY
- ▲4. PLATING MATERIAL: GOLD
5. RATING: 0.4VA MAX @ 20VAC OR DC MAX.
6. ELECTRIC LIFE: 40,000 MAKE-AND-BREAK CYCLES AT FULL LOAD.
7. INSULATION RESISTANCE: 1,000 MEGA-OHM MIN.
8. DIELECTRIC STRENGTH: 1,000 V RMS @SEA LEVEL.
9. OPERATING TEMP.: -30°C to 85°C
- 10.▲DENOTES CRITICAL PARAMETER.
11. 2002/95/EC (ROHS) COMPLIANT.



PANEL MOUNTING



ISOMETRIC



E-SWITCH®

B	16953	ADDED POS. DIAGRAM	2/2/07	TN
A	16850	RELEASED FOR PRODUCTION	1/11/07	TN
REV	PCR NO	DESCRIPTION	DATE	BY

TITLE 100SP2T2B1M6RE				
SCALE	DATE	DR	DWG	REV
2:1	2/2/2007	TN	T112028	B

THE INFORMATION CONTAINED IN THIS DOCUMENT IS PROPRIETARY TO E-SWITCH AND IS NOT TO BE COPIED OR TRANSFERRED