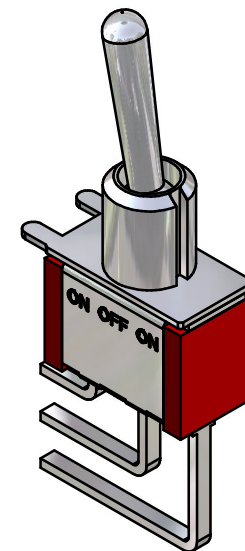
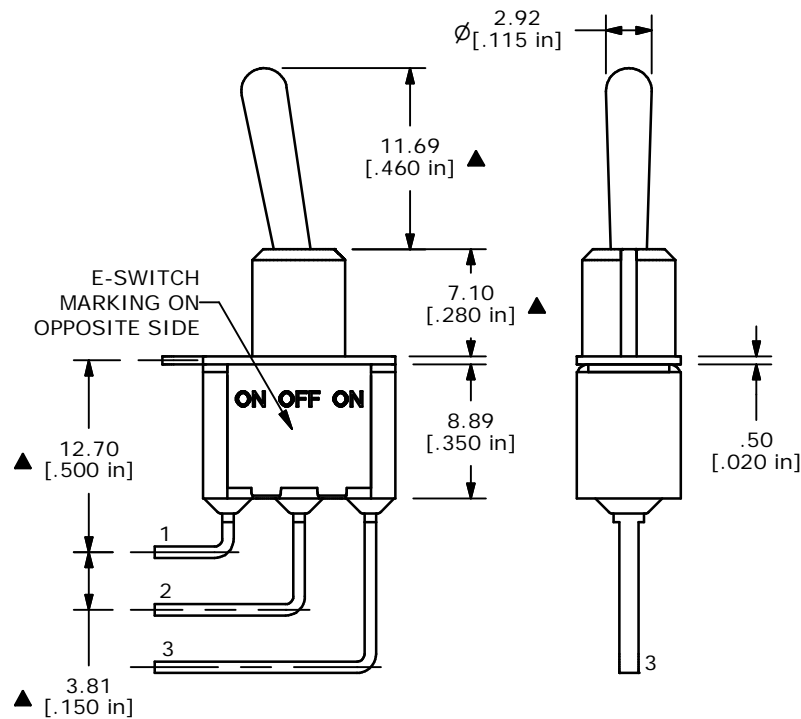
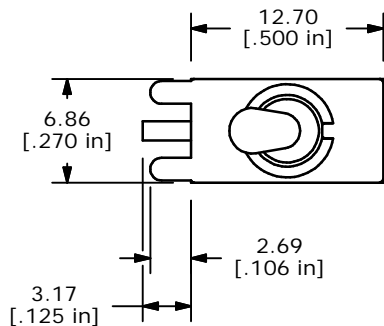
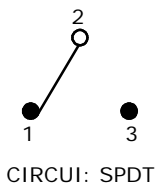


RECOMENDED PC MOUNTING

SWITCH FUNCTION		
POS. 1	POS. 2	POS. 3
ON	OFF	ON
2-3	OPEN	2-1



ISOMETRIC

NOTE:

1. ALL DIMENSIONS IN MM [INCH]
2. GENERAL TOLERANCE: X.X=±0.4
X.XX=±0.25
3. TERMINAL NUMBERS FOR REF ONLY
- ▲4. PLATING MATERIAL: SILVER
5. RATING: 5 AMPS W/RESITIVE LOAD @ 120VAC OR 28VDC
2 AMPS W/RESITIVE LOAD @ 250VAC
6. ELECTRIC LIFE: 40,000 make-and-break cycles
at full load.
7. INSULATION RESISTANCE: 1,000 Mega-ohm min.
8. DIELECTRIC STRENGTH: 1,000 V RMS @sea level.
9. OPERATING TEMP.: -30°C to 85°C
10. ▲DENOTES CRITICAL PARAMETER.

E-SWITCH®

A	14195	RELEASED FOR PRODUCTION	7/28/04	AR
REV	PCR NO	DESCRIPTION	DATE	BY

TITLE 100SP3T1B4M7QE				
SCALE	DATE	DR	DWG	REV
2:1	7/28/04	AR	T113055	A

THE INFORMATION CONTAINED IN THIS DOCUMENT IS PROPRIETARY TO E-SWITCH AND IS NOT TO BE COPIED OR TRANSFERRED