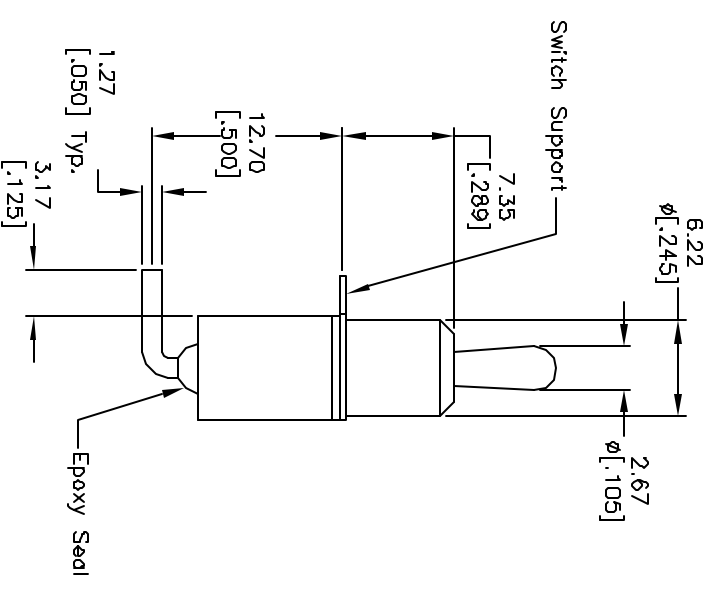
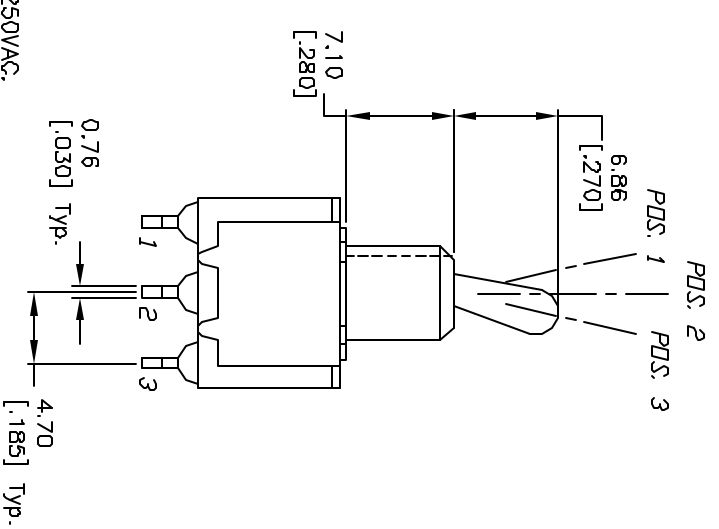
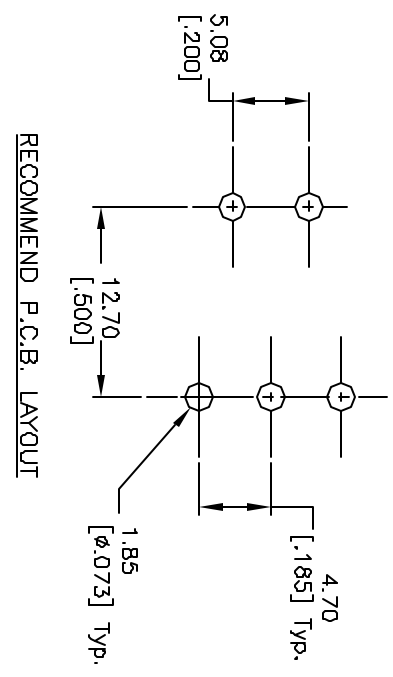
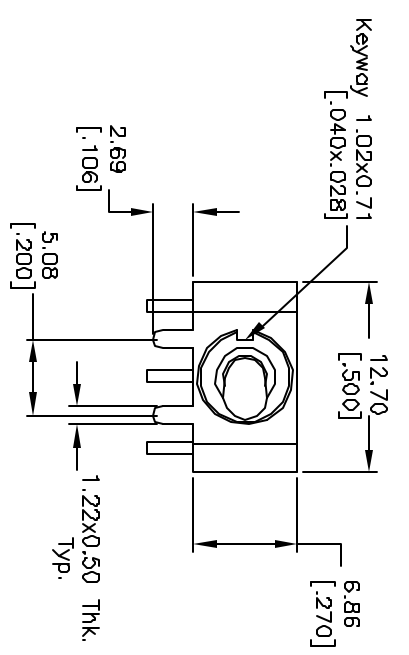


CIRCUIT: SPDT  
CONTACT CONFIGURATION

SWITCH FUNCTION		
PDS 1	PDS 2	PDS 3
DN	OFF	DN
2-3	OPEN	2-1



- NOTES:
1. ALL DIMENSIONS IN MM [INCH]
  2. GENERAL TOLERANCE: 0.0=±0.4  
0.00=±0.25
  3. TERM. NOS. FOR REF. ONLY
  4. RATING: 5A, @120VAC or 28VDC; 2A, @250VAC.
  5. ELECTRICAL LIFE: 50,000 make-and-break cycles at full load.
  6. INSULATION RESISTANCE: 1,000M ohm min.
  7. DIELECTRIC STRENGTH: 1,000V RMS @sed level.
  8. OPERATING TEMP.: -30°C to 85°C.

REV.	ECN No.	DESCRIPTION	DATE	CHKD
A	10364	RELEASED FOR PRODUCTION		

TITLE		SCALE	DATE	DR	DWG	REV
100 SP-3 T2 B4 M6 Q E		2:1	9/21/99	MM	T113039	A



THE INFORMATION CONTAINED IN THIS DOCUMENT IS PROPRIETARY TO E-SWITCH AND IS NOT TO BE COPIED OR TRANSMITTED