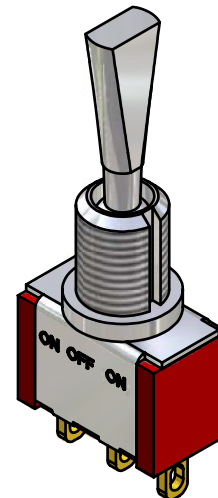
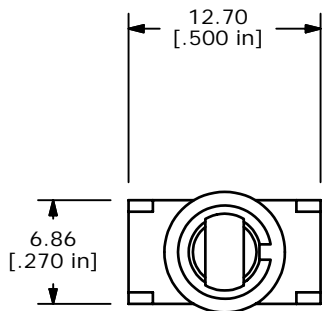
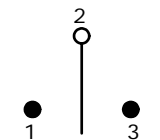


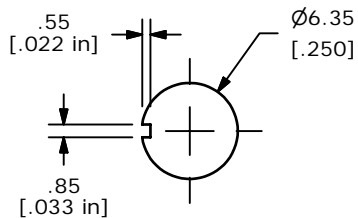
SWITCH FUNCTION		
POS. 1	POS. 2	POS. 3
ON	OFF	ON
2-3	OPEN	2-1



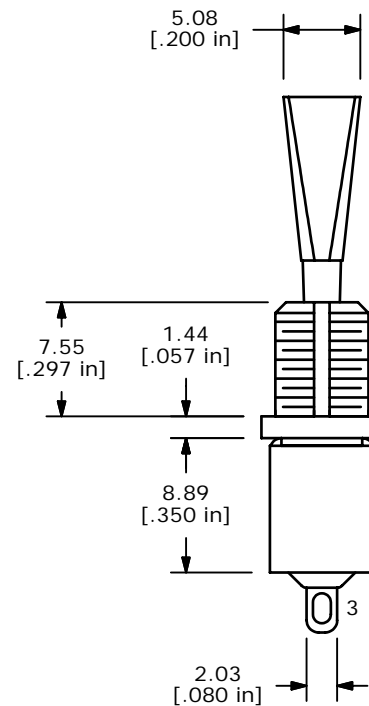
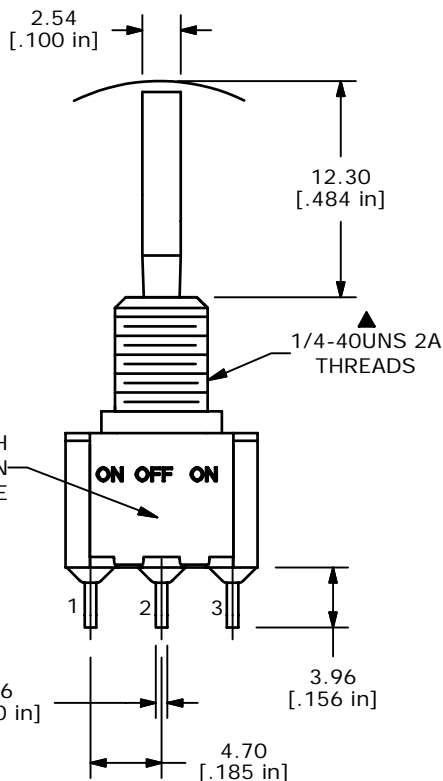
ISOMETRIC



CIRCUI: SPDT



PANEL MOUNTING



E-SWITCH MARKING ON OPPOSITE SIDE

- NOTE:
1. ALL DIMENSIONS IN MM [INCH]
  2. GENERAL TOLERANCE: X.X=±0.4  
X.XX=±0.25
  3. TERMINAL NUMBERS FOR REF ONLY
  - ▲ PLATING MATERIAL: GOLD
  5. RATING: 0.4 VOLT AMPS (VA) MAX @ 20 VOLTS AC OR DC
  6. ELECTRIC LIFE: 40,000 make-and-break cycles at full load.
  7. INSULATION RESISTANCE: 1,000 Mega-ohm min.
  8. DIELECTRIC STRENGTH: 1,000 V RMS @ sea level.
  9. OPERATING TEMP.: -30°C to 85°C
  10. ▲ DENOTES CRITICAL PARAMETER.
  11. 2002/95/EC (ROHS) COMPLIANT

**E-SWITCH®**

B	16172	EDIT SWITCH FUNCTION	6/22/06	CT
A	16022	RELEASED FOR PRODUCTION	5/17/06	CT
REV	PCR NO	DESCRIPTION	DATE	BY

TITLE 100SP3T6B11M1RE				
SCALE	DATE	DR	DWG	REV
2:1	5/17/2006	CT	T115014	B

THE INFORMATION CONTAINED IN THIS DOCUMENT IS PROPRIETARY TO E-SWITCH AND IS NOT TO BE COPIED OR TRANSFERRED