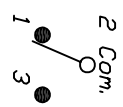


RECOMMENDED PCB LAYOUT



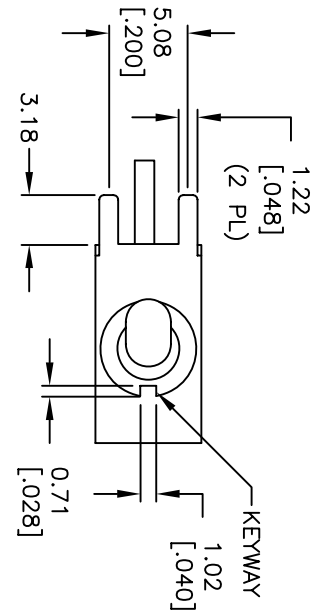
SPDT CIRCUIT CONTACT CONFIGURATION

SWITCH FUNCTION		
POS. 1	POS. 2	POS. 3
<DN>	DIFF	<DN>
2-3	OPEN	2-1

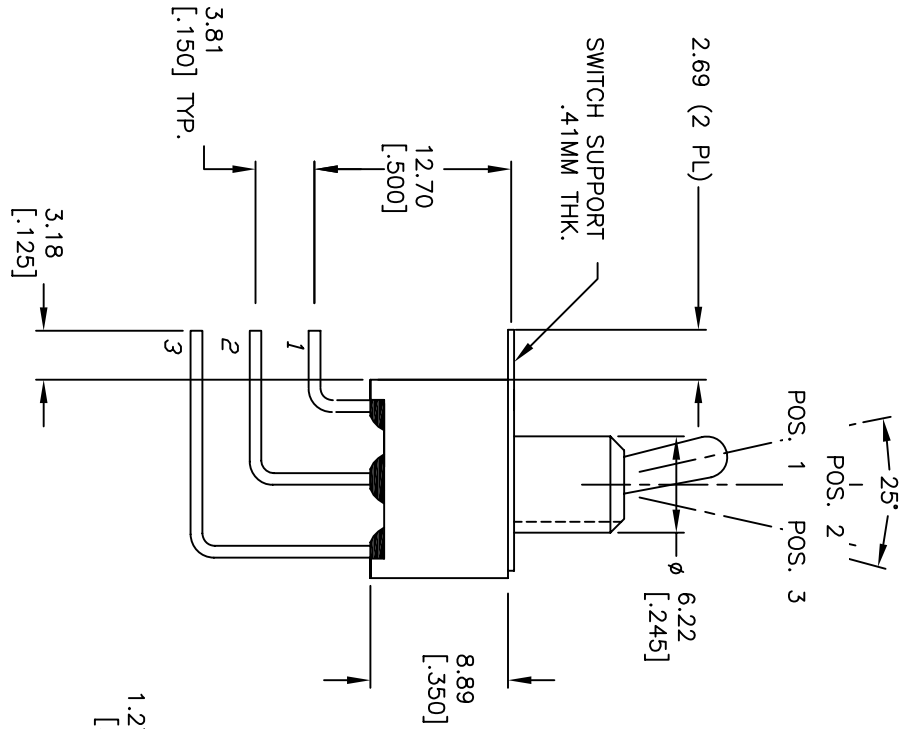
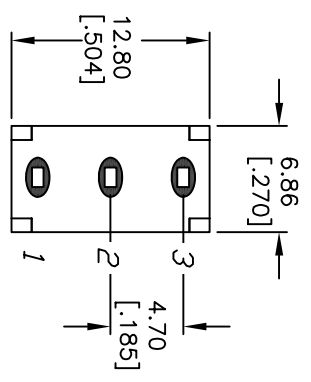
() = Momentary

NOTES:

1. ALL DIMENSIONS IN MM [INCH]
2. GENERAL TOLERANCE: X.X=±0.4 X.XX=±0.25
3. TERMINAL NUMBERS FOR REF ONLY
4. RATING: 0.4VA @20V AC or DC max.
5. FIXED TERM. & MOVING CONTACT:
COPPER Alloy w/GOLD plate over Nickel plate.
6. ELECTRIC LIFE: 40,000 make-and-break cycles at full load.
7. INSULATION RESISTANCE: 1,000 Mega-ohm min.
8. DIELECTRIC STRENGTH: 1,000 V RMS @sed level.
9. OPERATING TEMP.: -30°C to +85°C



SECTION A-A



1.27 X 0.76 THK. [.050 X .030] (3 PL)

REV.	ECN No.	DESCRIPTION	DATE	CHKD
B	15100	UPDATED DIMENSIONS	7/26/05	RC
A	12547	RELEASED FOR PRODUCTION	11/8/02	CB

TITLE	SCALE	DATE	DR	DWG	REV
100 SP4 T2 B4 M7 RE	2:1	6/1/01	CB	T114039	B



THE INFORMATION CONTAINED IN THIS DOCUMENT IS PROPRIETARY TO E-SWITCH AND IS NOT TO BE COPIED OR TRANSFERRED