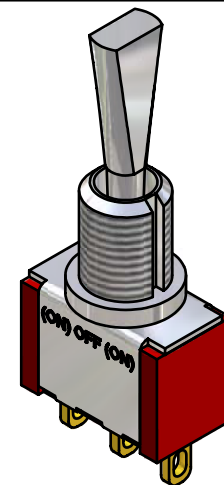
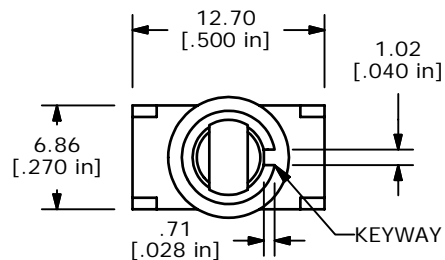


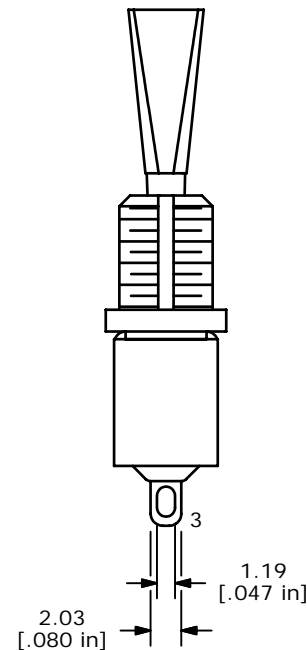
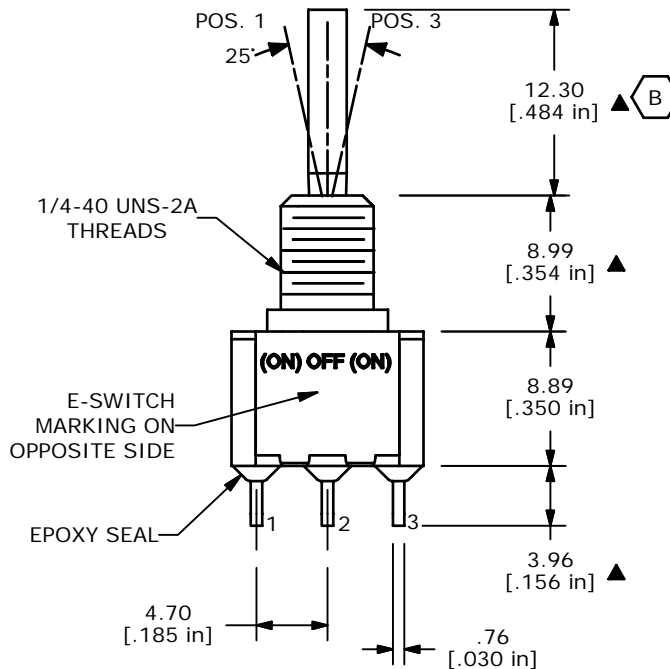
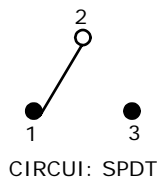
P.C. MOUNTING



ISOMETRIC

| SWITCH FUNCTION |        |        |
|-----------------|--------|--------|
| POS. 1          | POS. 2 | POS. 3 |
|                 |        |        |
| (ON)            | OFF    | (ON)   |
| 2-3             | OPEN   | 2-1    |

(ON)=MOMENTARY



- NOTE:
1. ALL DIMENSIONS IN MM [INCH]
  2. GENERAL TOLERANCE: X.X=±0.4  
X.XX=±0.25
  3. TERMINAL NUMBERS FOR REF ONLY
  - ▲4. PLATING MATERIAL: GOLD
  5. RATING: 0.4VA @20VAC OR DC
  6. ELECTRIC LIFE: 40,000 MAKE-AND-BREAK CYCLES AT FULL LOAD.
  7. INSULATION RESISTANCE: 1,000 MEGA-OHM MIN.
  8. DIELECTRIC STRENGTH: 1,000 V RMS @SEA LEVEL.
  9. OPERATING TEMP.: -30°C to 85°C
  10. ▲DENOTES CRITICAL PARAMETER.

**E-SWITCH®**

|     |        |                           |        |    |
|-----|--------|---------------------------|--------|----|
| B   | 15014  | CORRECTED ACCUATOR LENGTH | 7/5/05 | JB |
| A   | 14903  | RELEASED FOR PRODUCTION   | 5/9/05 | JB |
| REV | PCR NO | DESCRIPTION               | DATE   | BY |

|                       |               |       |             |       |
|-----------------------|---------------|-------|-------------|-------|
| TITLE 100SP4T6B11M1RE |               |       |             |       |
| SCALE 2:1             | DATE 5/9/2005 | DR JB | DWG T103008 | REV B |

THE INFORMATION CONTAINED IN THIS DOCUMENT IS PROPRIETARY TO E-SWITCH AND IS NOT TO BE COPIED OR TRANSFERRED