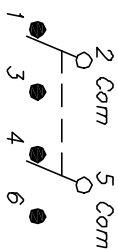
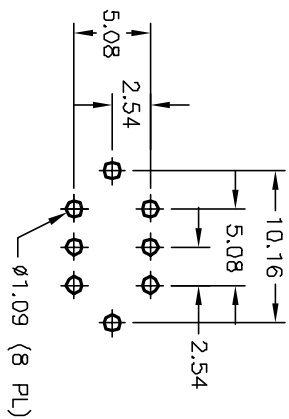


VIEW A-A

BRACKET NOT SHOWN

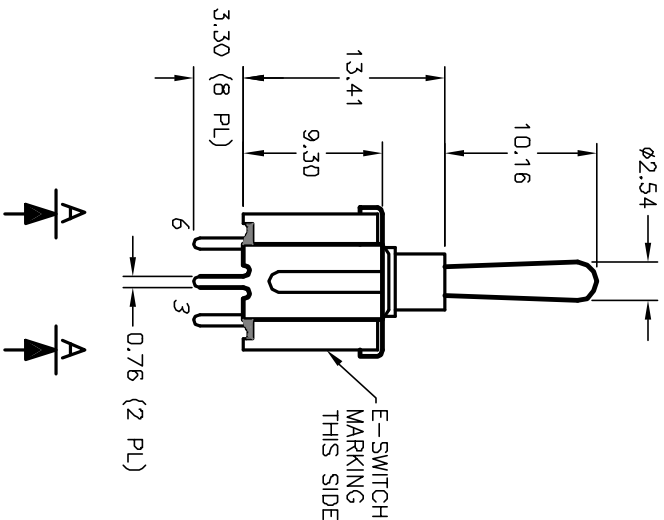
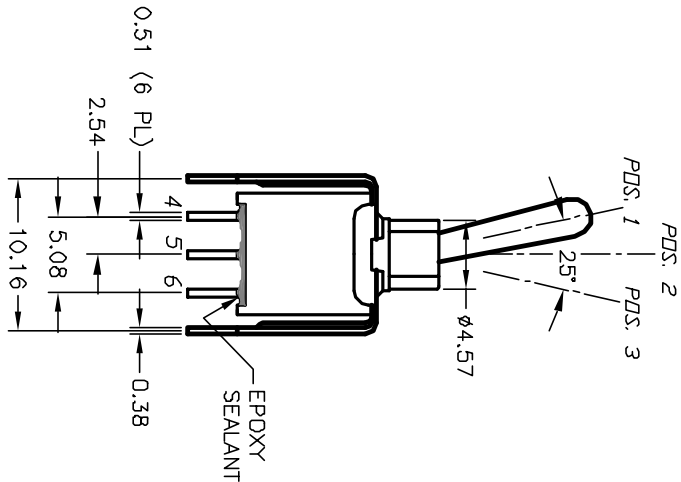


CIRCUIT: 2PDT

SWITCH FUNCTION		
POS. 1	POS. 2	POS. 3
DN	OFF	DN
2-3, 5-6	OPEN	2-1, 5-4

NOTES:

1. ALL DIMENSIONS IN MM [INCH]
2. GENERAL TOLERANCE: X.X=±0.4 X.XX=±0.25
3. TERMINAL NUMBERS FOR REF ONLY
4. RATING: 3A @120VAC or 2BVDC: 1A @250VAC
5. FIXED TERM. & MOVING CONTACT: COPPER ALLOY W/SILVER PLATE.
6. ELECTRIC LIFE: 50,000 make-and-break cycles at full load.
7. INSULATION RESISTANCE: 1,000 Mega-ohm min.
8. DIELECTRIC STRENGTH: 1,000 V RMS @seo level.
9. OPERATING TEMP.: -30°C to +85°C



**E-SWITCH®**

REV.	ECN NO.	DESCRIPTION	DATE	CHKD
A	12820	RELEASED FOR PRODUCTION	2/18/03	--

TITLE	SCALE	DATE	DR	DWG	REV
2004 WMDP3 T1 A1 VS2 Q E	2:1	2/18/03	--	T2013228	A

THE INFORMATION CONTAINED IN THIS DOCUMENT IS PROPRIETARY TO E-SWITCH AND IS NOT TO BE COPIED OR TRANSMITTED