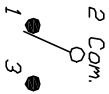


RECOMMENDED PCB LAYOUT

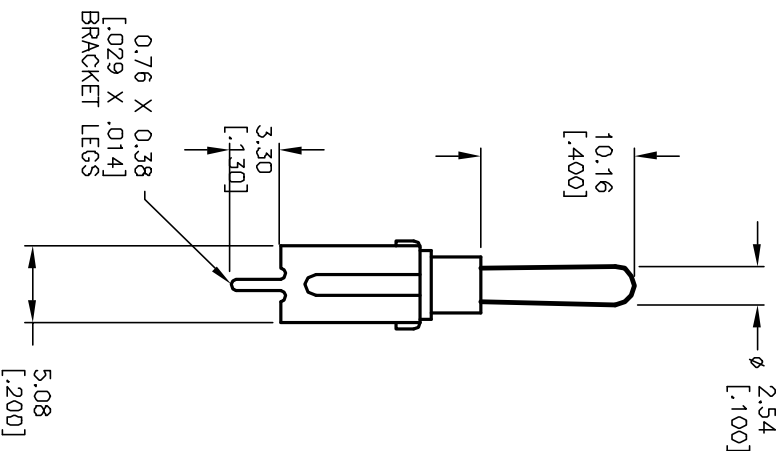
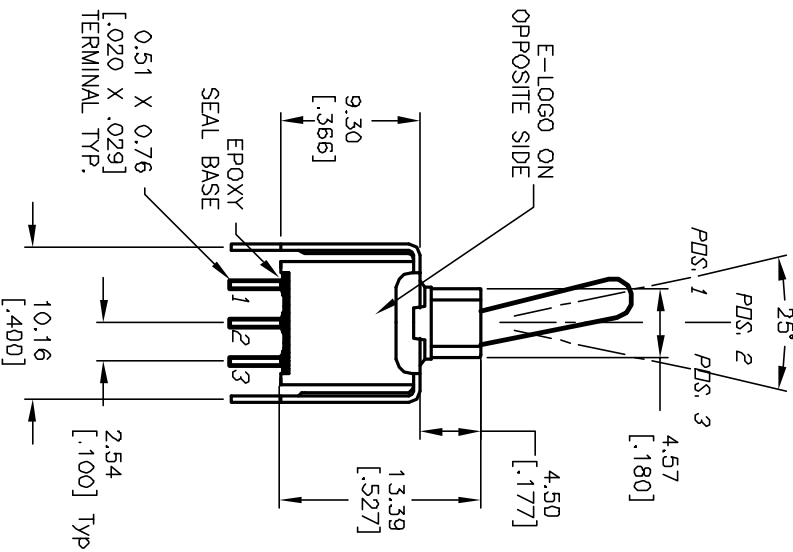
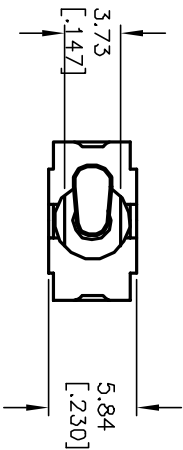


SPDT CIRCUIT CONTACT CONFIGURATION

SWITCH FUNCTION		
PDS. 1	PDS. 2	PDS. 3
DN	NONE	DN
2-3	OPEN	2-1

NOTES:

1. ALL DIMENSIONS IN MM [INCH]
2. GENERAL TOLERANCE: X.X=±0.4 X:XX=±0.25
3. TERMINAL NUMBERS FOR REF ONLY
4. RATING: 0.4VA @20VAC or DC
5. FIXED TERM. & MOVING CONTACT: COPPER ALLOY W/GOLD PLATE over NICKEL PLATE.
6. ELECTRIC LIFE: 50,000 make-and-break cycles at full load.
7. INSULATION RESISTANCE: 1,000 Mega-ohm min.
8. DIELECTRIC STRENGTH: 1,000 V RMS @sed level.
9. OPERATING TEMP.: -30°C to +85°C



**E-SWITCH®**

REV.	ECN NO.	DESCRIPTION	DATE	CHKD
B	12052	REVISED AND REDRAWN	4/10/02	CB

TITLE	SCALE	DATE	DR	DWG	REV
200A WMSP-1 T1 A1 V52 R E (GOLD CONTACTS)	2:1	4/10/02	CB	T201226	B

THE INFORMATION CONTAINED IN THIS DOCUMENT IS PROPRIETARY TO E-SWITCH AND IS NOT TO BE COPIED OR TRANSMITTED