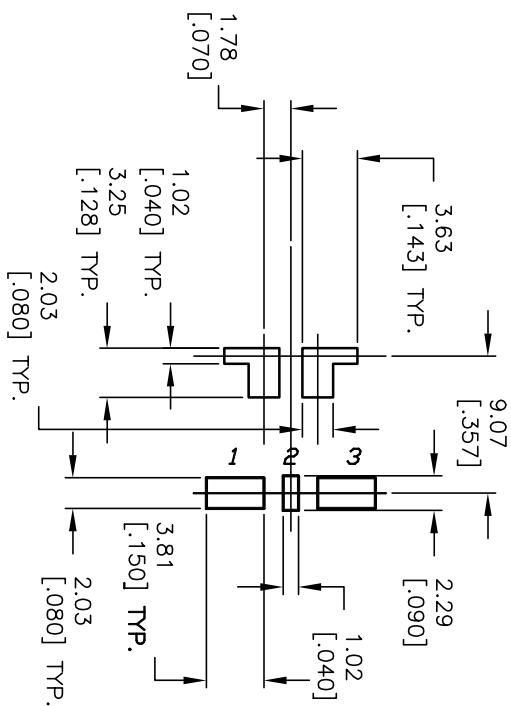
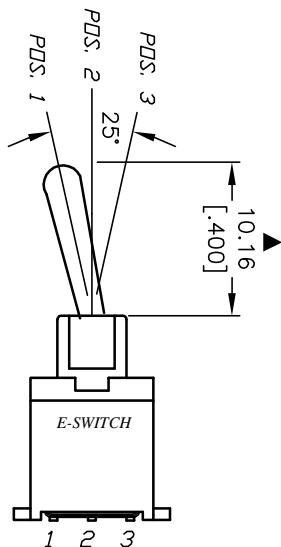


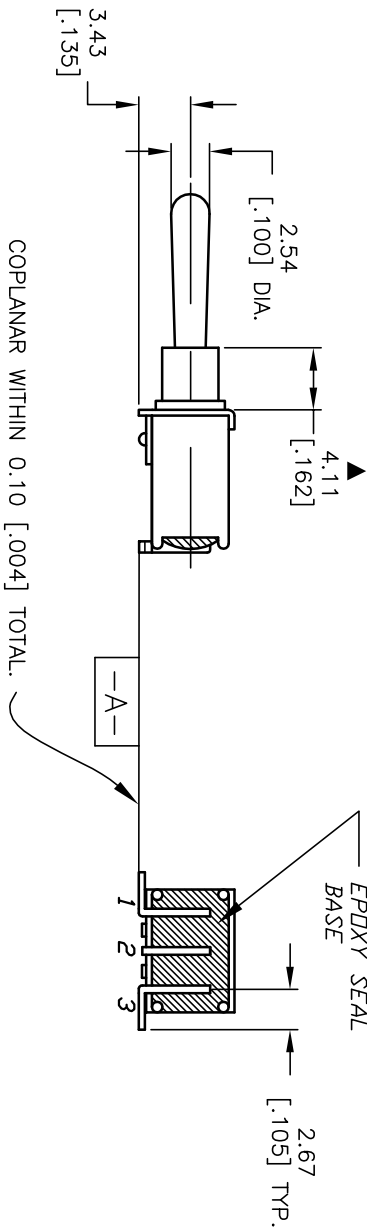
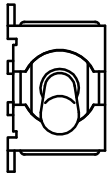
CIRCUIT: SPDT

CONTACT CONFIGURATION

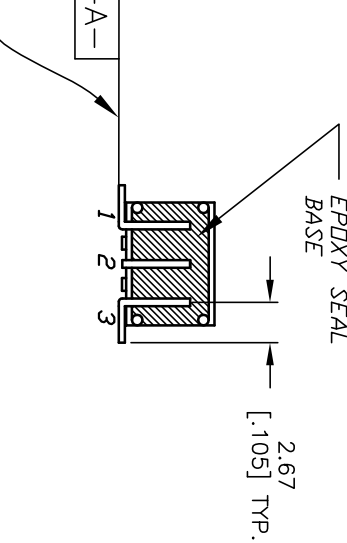
SWITCH FUNCTION		
PDS. 1	PDS. 2	PDS. 3
DN	NONE	DN
2-3	DPEN	2-1



RECOMMEND MOUNTING LAYOUT



COPLANAR WITHIN 0.10 [.004] TOTAL.



EPDOXY SEAL BASE

1

2

3

4

5

6

7

8

9

10

11

12

13

NOTES:

1. ALL DIMENSIONS IN MM [INCH]
2. GENERAL TOLERANCE: 0.0=±0.4
0.00=±0.25
3. TERM. NOS. FOR REF. ONLY
4. CONTACT RATING: 0.4 VA max. @20 VAC or DC max.
Ni plate.
5. FIXED TERMINAL & MOVING CONTACT: Cu alloy w/Au plate over
6. ELECTRICAL LIFE: 50,000 make-and-break cycle
at full load.
7. DIELECTRIC STRENGTH: 1,000 V RMS @sea level.
8. OPERATING TEMP.: -30°C to 85°C
9. PACKAGING: TAPE AND REEL
10. ▲ DENOTES CRITICAL PARAMETER.

REV.	ECN No.	DESCRIPTION	DATE	CHKD
A	13354	RELEASED FOR PRODUCTION	8/7/03	AR

TITLE	SCALE	DATE	DR	DWG	REV
200BWMSP1T1A1SM6RE	2:1	8/7/03	AR	T833024	A



THE INFORMATION CONTAINED IN THIS DOCUMENT IS PROPRIETARY TO E-SWITCH AND IS NOT TO BE COPIED OR TRANSFERRED