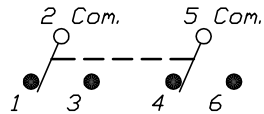


SWITCH FUNCTION		
PDS. 1	PDS. 2	PDS. 3
ON	NONE	ON
2-3,5-6	OPEN	2-1,5-4

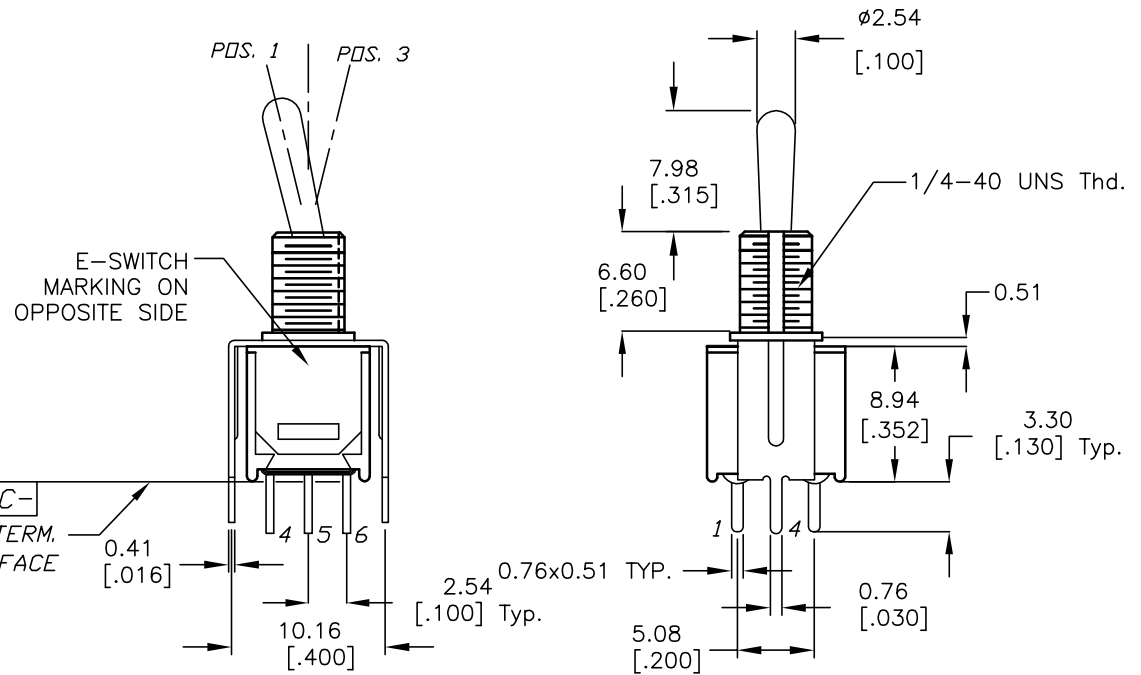


CIRCUIT: DPDT

NOTES:

- ALL DIMENSIONS IN MM
- GENERAL TOLERANCE: X.X=±0.4
X.XX=±0.25
- TERMINAL NUMBERS FOR REF ONLY
- RATING: 0.4(VA) @20V max. (ACor DC)
- CONTACT MATERIAL:
Copper Alloy w/Gold plate over Nickel plate.
- ELECTRICAL LIFE: 30,000 make-and-break cycles at full load.
- INSULATION RESISTANCE: 1,000 Mega-ohm min.
- DIELECTRIC STRENGTH: 1,000 V RMS @sea level.
- CONTACT RESISTANCE: 20mILLI-Ohms max. Typical Initial @2-4VDC
- OPERATING TEMP.: -30°C to 85°C

▲ NO EPOXY ON TERM. BELOW THIS SURFACE



E-SWITCH®

TITLE				
200MDP1T1B7VS2RE				
SCALE	DATE	DR	DWG	REV
2:1	1/13/04	AR	T221053	A

THE INFORMATION CONTAINED IN THIS DOCUMENT IS PROPRIETARY TO E-SWITCH AND IS NOT TO BE COPIED OR TRANSFERRED