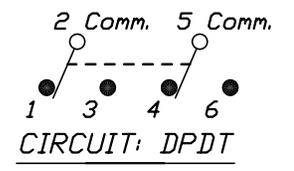
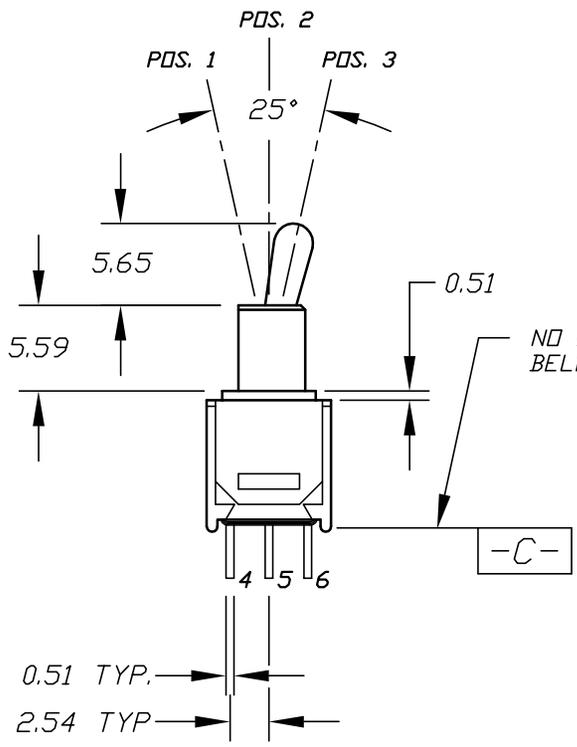
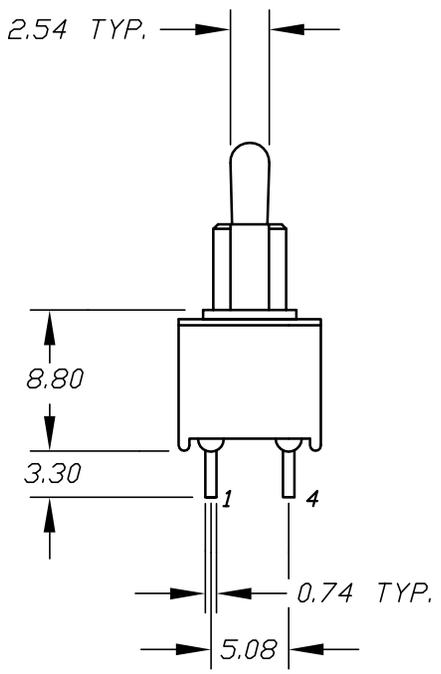


RECOMMEND P.C.B. HOLES



CIRCUIT: DPDT

CONTACT CONFIGURATION

SWITCH FUNCTION		
PDS. 1	PDS. 2	PDS. 3
ON	NONE	ON
2-3,5-6	OPEN	2-1,5-4

NOTES:

- ALL DIMENSIONS IN MM
- TERM. NOS. FOR REF ONLY
- RATING: 3 Amps @120VAC or 28VDC; 1 Amp @250VAC

TOLERANCES ±0.4 ±0.25 0.0 0.00				E-SWITCH®									
				TITLE 200 MDP-1 T2 B2 M2 Q E									
B	REVISED & REDRAWN			SCALE	2:1	DATE	1/15/97	DR	MM	DWG	T221001	REV	B
REV.	DESCRIPTION	DATE	CHKD	THE INFORMATION CONTAINED IN THIS DOCUMENT IS PROPRIETARY TO E-SWITCH AND IS NOT TO BE COPIED OR TRANSFERRED									