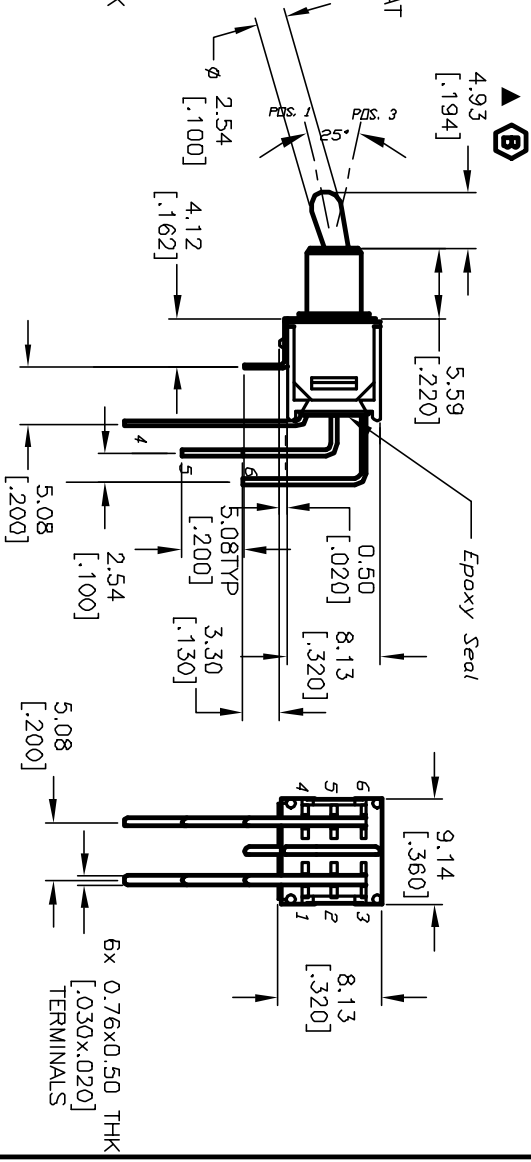
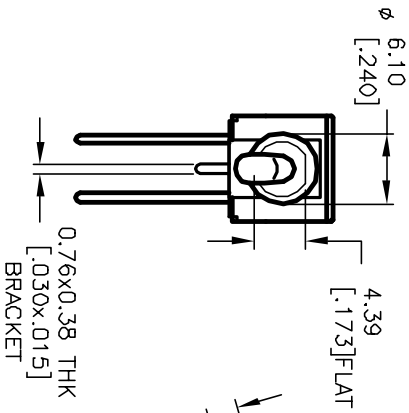
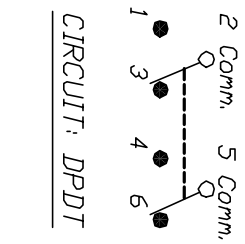


RECOMMENDED P.C.B. LAYOUT



CONTACT CONFIGURATION

SWITCH FUNCTION			
PDS. 1	PDS. 2	PDS. 3	
DN	NONE	DN	
2-3,5-6	OPEN	2-1,5-4	

NOTES:

1. ALL DIMENSIONS IN MM [INCH]
2. GENERAL TOLERANCE: X.X=±0.4 X.XX=±0.25
3. TERM. NOS. FOR REFERENCE ONLY.
4. RATING: 3A@120V AC OR 28V DC, 1A@250V AC
5. CONTACT MATERIAL: COPPER ALLOY W/ SILVER PLATE
6. INSULATION RESISTANCE: 1,000 MEGΩ
7. ELECTRIC LIFE: 30,000 MAKE-AND-BREAK CYCLES AT FULL LOAD
8. OPERATING TEMP: -30°C TO 85°C

B	13198	4.93 WAS 5.33	AR
A	11800	RELEASED FOR PRODUCTION	CJC
REV.	ECN No.	DESCRIPTION	DATE
			CHKD

TITLE		SCALE		DATE		DR		DWG		REV	
200 MDP1 T2 B2 M7 Q E		1.5:1		10/29/01		CJC		T221032		B	

E-SWITCH®

THE INFORMATION CONTAINED IN THIS DOCUMENT IS PROPRIETARY TO E-SWITCH AND IS NOT TO BE COPIED OR TRANSFERRED