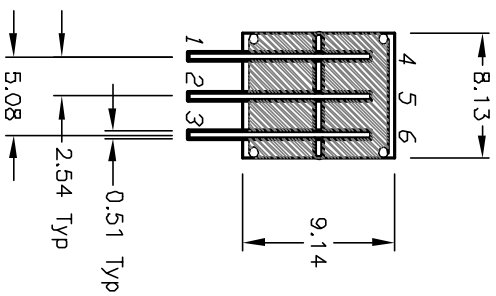
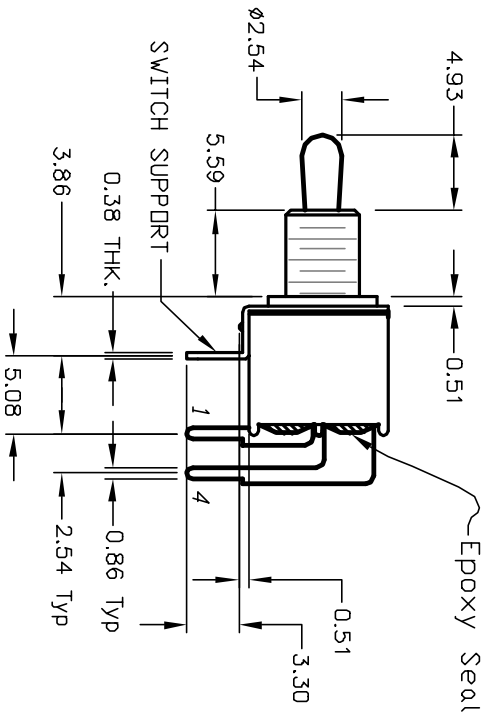
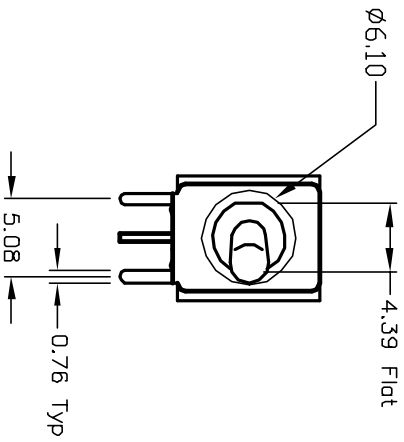
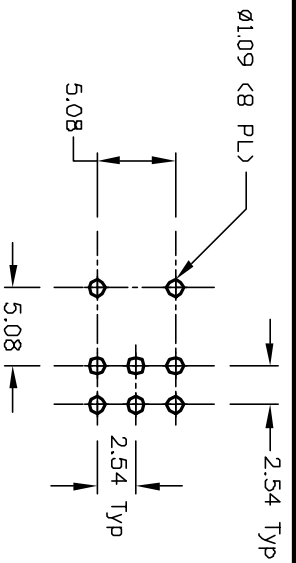
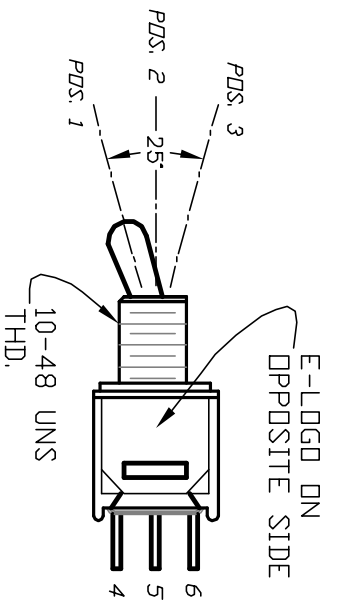




SWITCH FUNCTION		
POS. 1	POS. 2	POS. 3
DN	NONE	DN
2-3,5-6	DPEN	2-1,5-4

(>)=MOMENTARY



- NOTES:
1. ALL DIMENSIONS IN MM
 2. GENERAL TOLERANCE: X.X=±0.4
X.XX=±0.25
 3. TERM. NOS. FOR REF. ONLY
 4. CONTACT RATING: 0.4(VA) Max. @20VAC OR DC Max.
 5. FIXED TERMINAL & MOVING CONTACT: Cu alloy w/ Gold plate over Ni plate.
 6. ELECTRIC LIFE: 30,000 make-and-break cycles at full load.
 7. INSULATION RESISTANCE: 1,000 M ohm min.
 8. DIELECTRIC STRENGTH: 1,000 V RMS @sea level.
 9. OPERATING TEMP.: -30°C to 85°C

E-SWITCH®

REV. A		12312		RELEASED FOR PRODUCTION		7/19/02		CJB	
REV. A		ECN No.		DESCRIPTION		DATE		CHKD	
TITLE									
200 MDP-2 T2 B1 M6 R E (GOLD CONTACTS)									
SCALE		2:1		DATE		7/19/02		DR	
SCALE		2:1		DATE		7/19/02		CJB	
DR		CJB		DWG		T211084		REV	
DR		CJB		DWG		T211084		REV	
REV		A		DATE		7/19/02		DR	
REV		A		DATE		7/19/02		DR	
THE INFORMATION CONTAINED IN THIS DOCUMENT IS PROPRIETARY TO E-SWITCH AND IS NOT TO BE COPIED OR TRANSMITTED									