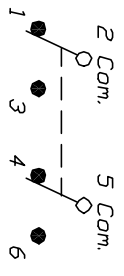


RECOMMENDED P.C.B. LAYOUT



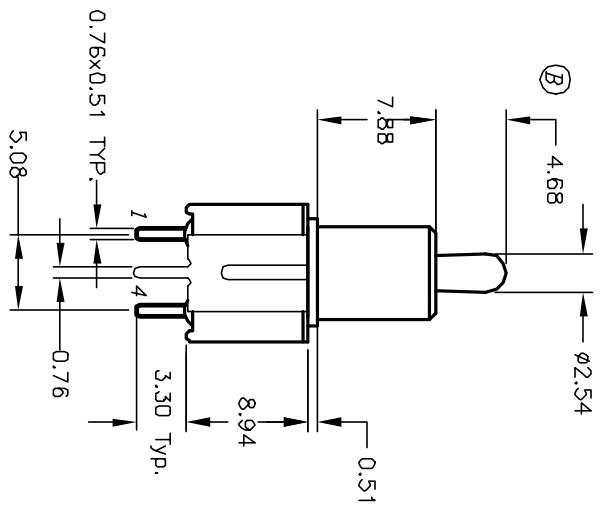
CIRCUIT: DPDT CONTACT CONFIGURATION

SWITCH FUNCTION		
PQS. 1	PQS. 2	PQS. 3
DN	NONE	(DN)
2-3, 5-6	DPEN	2-1, 5-4

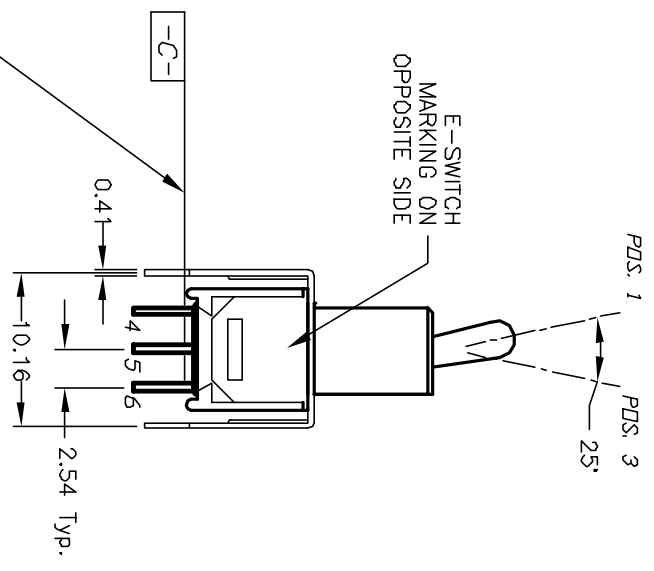
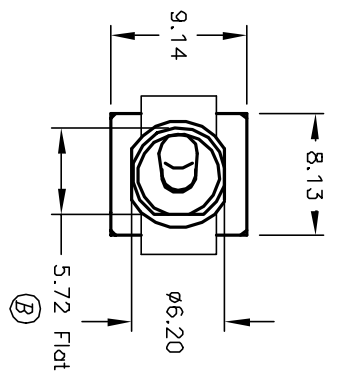
( ) MOMENTARY

NOTES:

1. ALL DIMENSIONS IN MM
2. GENERAL TOLERANCE: X.X=±0.4  
X.XX=±0.25
3. TERM. NOS. FDR REF. ONLY
4. CONTACT RATING: 0.4 (VA) max. @20 VAC or DC max.
5. FIXED TERMINAL & MOVING CONTACT: Cu alloy w/ Gold plate over Ni plate.
6. CONTACT RESISTANCE: 20 mΩ initial  
@2-4VDC 100mA for Ag & Au
7. ELECTRIC LIFE: 30,000 make-and-break cycles at full load.
8. INSULATION RESISTANCE: 1,000 M ohm min.
9. DIELECTRIC STRENGTH: 1,000 V RMS @sea level.
10. OPERATING TEMP.: -30°C to 85°C



NO EPOXY ON TERM. BELOW THIS SURFACE



REV.	ECN NO.	DESCRIPTION	DATE	CHK'D
B	11591	ACTUATOR WAS 508, REV NOTES	8/2/01	CJB

TITLE	SCALE	DATE	DR	DWG	REV
200 MDP-2 T3 B6 VS2 R E	2:1	1/10/01	CJB	T221028	B



THE INFORMATION CONTAINED IN THIS DOCUMENT IS PREPARED BY E-SWITCH AND IS NOT TO BE COPIED OR TRANSMITTED