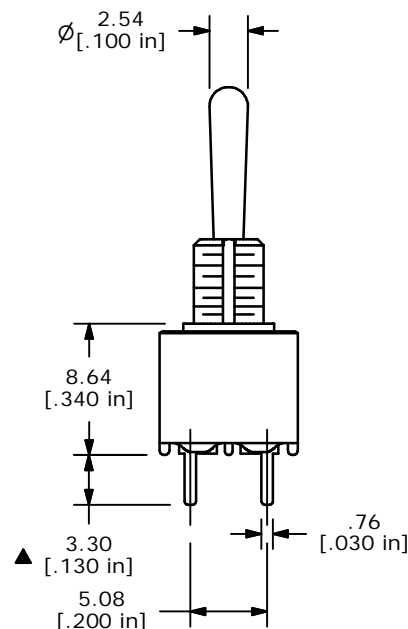
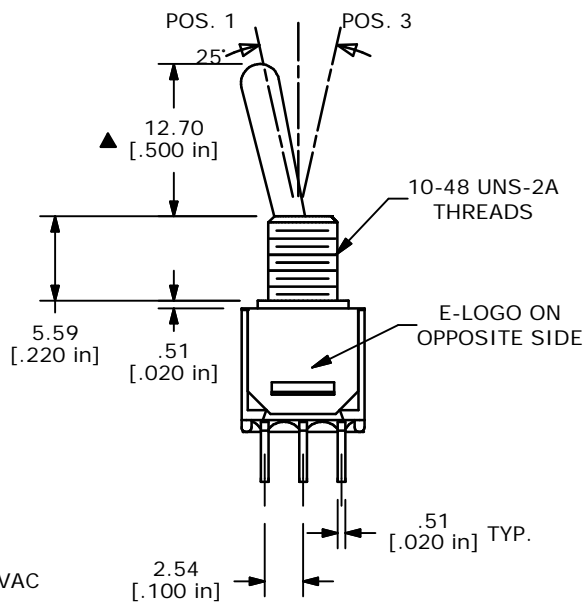
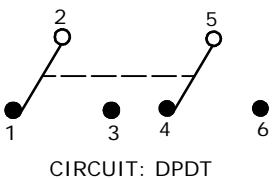


ISOMETRIC

SWITCH FUNCTION		
POS. 1	POS. 2	POS. 3
ON	NONE	(ON)
2-3, 5-6	OPEN	2-1, 5-4

(ON)=MOMENTARY



NOTE:

- ALL DIMENSIONS IN MM [INCH]
- GENERAL TOLERANCE: X.X=±0.4  
X.XX=±0.25
- TERMINAL NUMBERS FOR REF ONLY
- PLATING MATERIAL: SILVER
- RATING: 3AMPS @120VAC OR 28VDC, 1AMP @250VAC
- ELECTRIC LIFE: 30,000 MAKE-AND-BREAK CYCLES AT FULL LOAD.
- INSULATION RESISTANCE: 1,000 MEGA-OHM MIN.
- DIELECTRIC STRENGTH: 1,000 V RMS @SEA LEVEL.
- OPERATING TEMP.: -30°C to 85°C
- ▲ DENOTES CRITICAL PARAMETER.

**E-SWITCH®**

G	14751	REDRAWN	3/18/05	AR
REV	PCR NO	DESCRIPTION	DATE	BY

TITLE 200MDP2T4B3M2QE				
SCALE	DATE	DR	DWG	REV
2:1	7/8/98	MM	T201218	G

THE INFORMATION CONTAINED IN THIS DOCUMENT IS PROPRIETARY TO E-SWITCH AND IS NOT TO BE COPIED OR TRANSFERRED