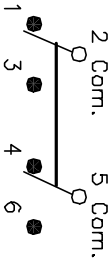


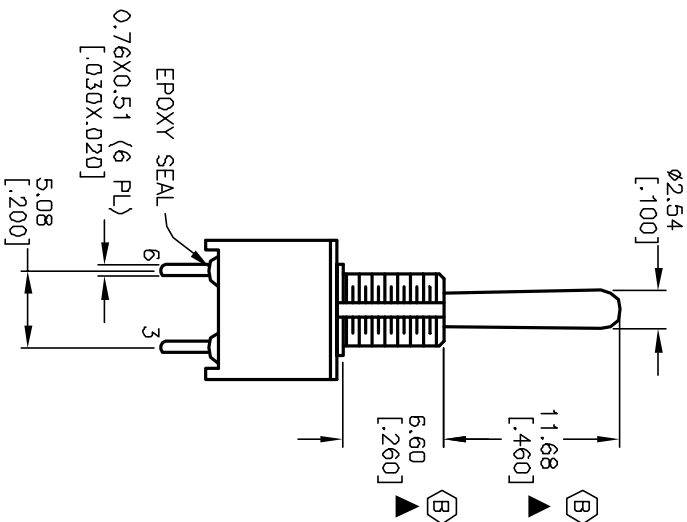
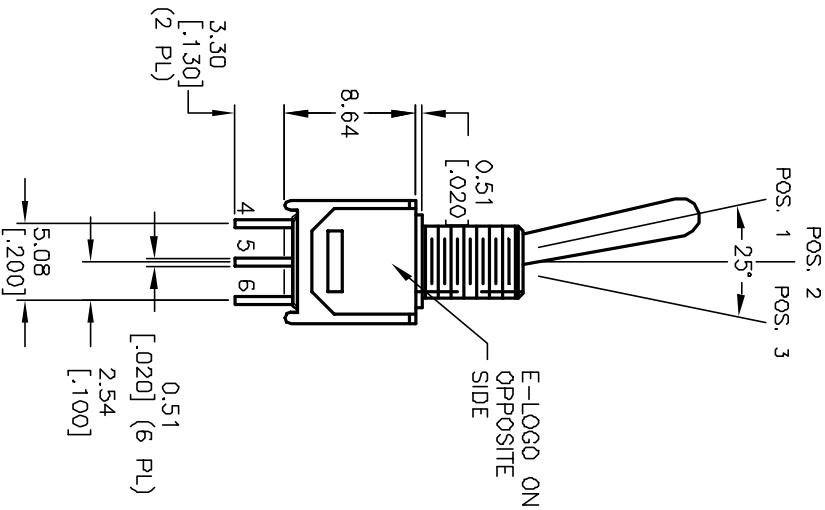
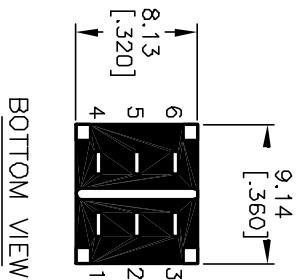
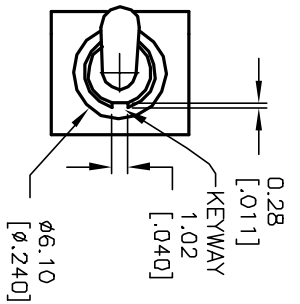
SWITCH FUNCTION		
POS. 1	POS. 2	POS. 3
ON	OFF	ON
2-3,5-6	OPEN	2-1,5-4



CIRCUIT: DPDT

NOTES:

1. ALL DIMENSIONS IN MM
2. GENERAL TOLERANCE: X.X=±0.4  
X.XX=±0.25
3. TERMINAL NUMBERS FOR REF ONLY
4. RATING: 0.4(VA) @20V max. (ACor DC)
5. CONTACT MATERIAL:  
Copper Alloy w/SILVER plate.
6. ELECTRICAL LIFE: 30,000 make-and-break cycles at full load.
7. INSULATION RESISTANCE: 1,000 Mega-ohm min.
8. DIELECTRIC STRENGTH: 1,000 V RMS @sea level.
9. CONTACT RESISTANCE: 20mILLI-Ohms max. Typical Initial @2-4VDC
10. OPERATING TEMP.: -30°C to 85°C
11. ▲ DENOTES CRITICAL PARAMETER.



REV.	ECN No.	DESCRIPTION	DATE	CHKD
B	13199	11.68 WAS 10.91, 6.60 WAS 5.59	6/10/03	AR
A	13039	RELEASED FOR PRODUCTION	4/11/03	AR

THE INFORMATION CONTAINED IN THIS DOCUMENT IS PROPRIETARY TO E-SWITCH AND IS NOT TO BE COPIED OR TRANSFERRED

TITLE	SCALE	DATE	DR	DWG	REV
200MDP3T4B7M2QE	2:1	4/11/03	AR	T223051	B

**E-SWITCH®**