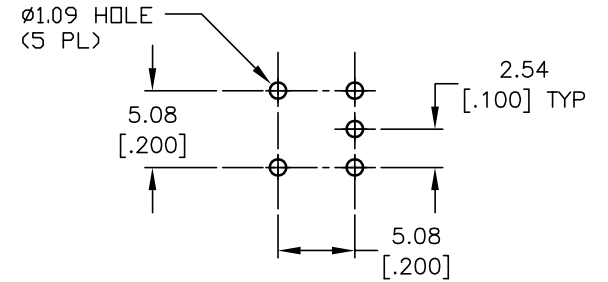
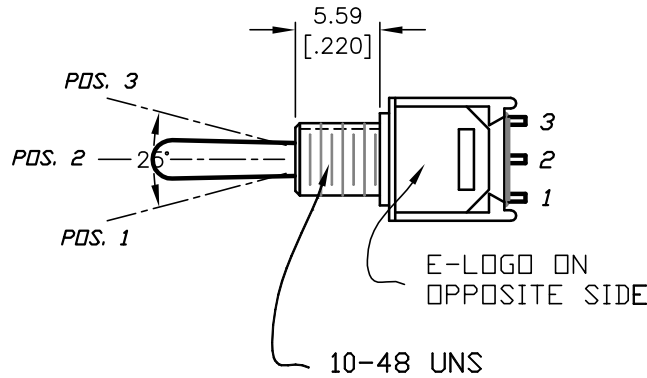
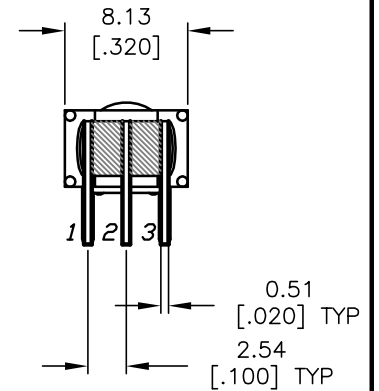
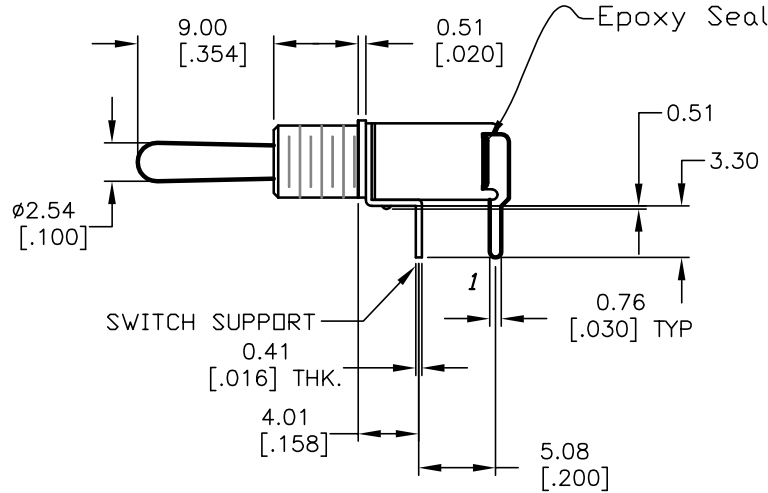
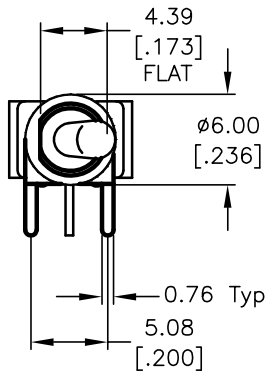


CIRCUIT: SPDT

SWITCH FUNCTION		
PDS. 1	PDS. 2	PDS. 3
ON	NONE	ON
2-3	OPEN	2-1



RECOMMENDED P.C.B LAYOUT



NOTES:

- ALL DIMENSIONS IN MM
- GENERAL TOLERANCE: X.X=±0.4  
X.XX=±0.25
- TERM. NOS. FOR REF. ONLY
- CONTACT RATING: 3A@ 120VAC. OR 28VDC:  
1A@ 250VAC.
- ▲ 5. FIXED TERMINAL & MOVING CONTACT: CU ALLOY W/ SILVER PLATE
6. ELECTRIC LIFE: 30,000 MAKE-AND-BREAK CYCLES  
AT FULL LOAD.
7. INSULATION RESISTANCE: 1,000 M OHM MIN.
8. DIELECTRIC STRENGTH: 1,000 V RMS @SEA LEVEL.
9. OPERATING TEMP.: -30°C to 85°C
10. ▲ DENOTES CRITICAL PARAMETER.

**E-SWITCH®**

TITLE				
200MSP1T1B1M6QE				
SCALE	DATE	DR	DWG	REV
2:1	8/4/04	AR	T211101	A

A	14214	RELEASED FOR PRODUCTION	8/4/04	AR
REV.	ECN No.	DESCRIPTION	DATE	CHKD

THE INFORMATION CONTAINED IN THIS DOCUMENT IS PROPRIETARY TO E-SWITCH AND IS NOT TO BE COPIED OR TRANSFERRED