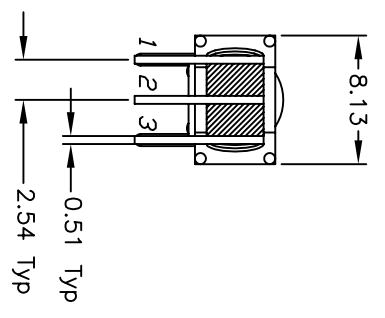
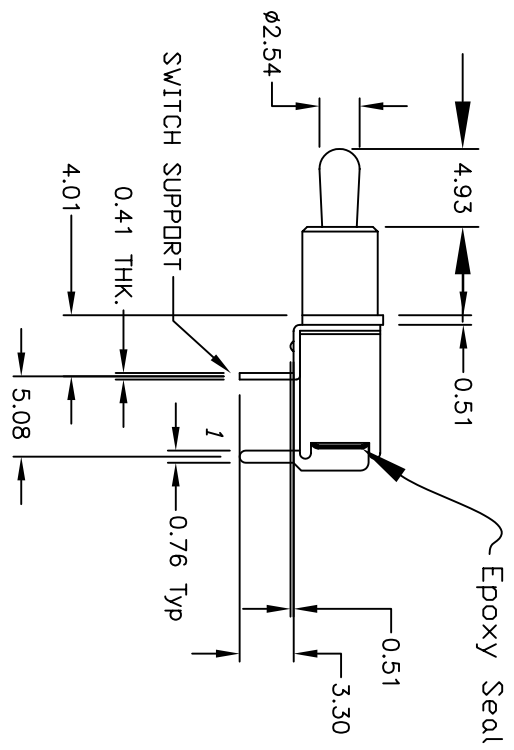
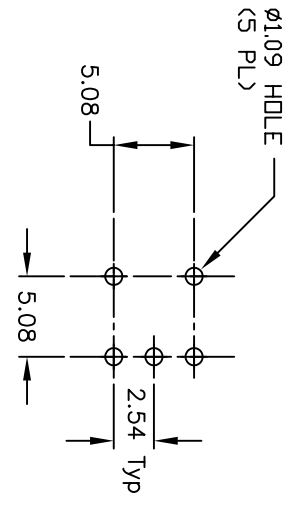
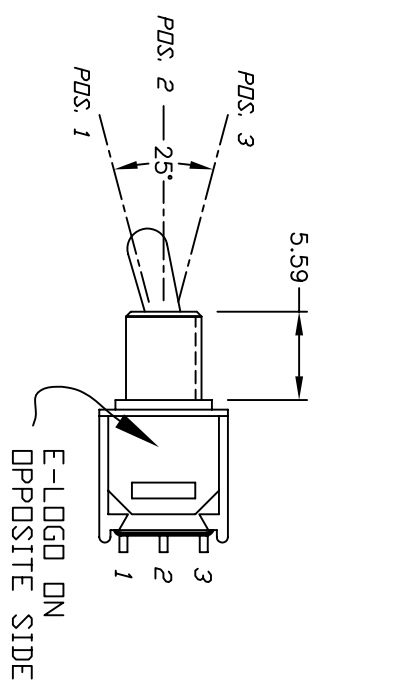
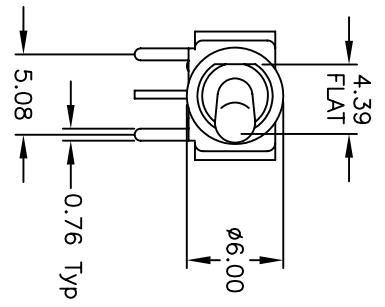


SWITCH FUNCTION		
POS. 1	POS. 2	POS. 3
DN	NONE	DN
2-3	DPEN	2-1



- NOTES:
1. ALL DIMENSIONS IN MM
 2. GENERAL TOLERANCE: X.X=±0.4
X.XX=±0.25
 3. TERM. NOS. FOR REF. ONLY
 4. CONTACT RATING: 3A@ 120VAC. OR 28VDC:
1A@ 250VAC.
 5. FIXED TERMINAL & MOVING CONTACT: Cu alloy w/ Silver plate
 6. ELECTRIC LIFE: 30,000 make-and-break cycles
at full load.
 7. INSULATION RESISTANCE: 1,000 M ohm min.
 8. DIELECTRIC STRENGTH: 1,000 V RMS @sea level.
 9. OPERATING TEMP.: -30°C to 85°C
 10. 2002/95/EC (ROHS) COMPLIANT

C	16561	CHANGED 5.33 TO 4.93	10/23/06	TN
B	12325	REVISED AND REDRAWN	7/23/02	CJB
REV.	ECN No.	DESCRIPTION	DATE	CHKD

TITLE		SCALE	DATE	DR	DWG	REV
200 MSP-1 T2 B2 M6 Q E		2:1	7/23/02	CJB	T211009	C



THE INFORMATION CONTAINED IN THIS DOCUMENT IS PROPRIETARY TO E-SWITCH AND IS NOT TO BE COPIED OR TRANSFERRED