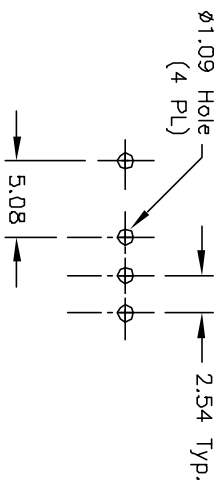
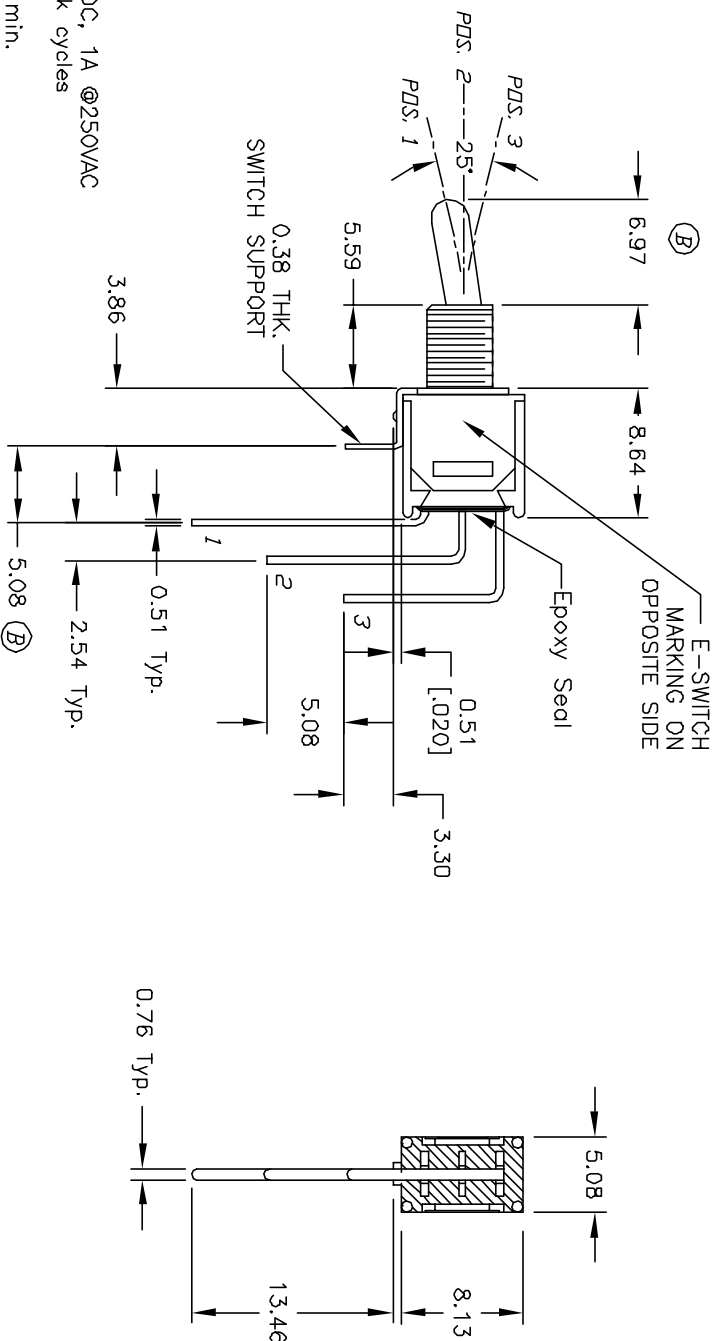
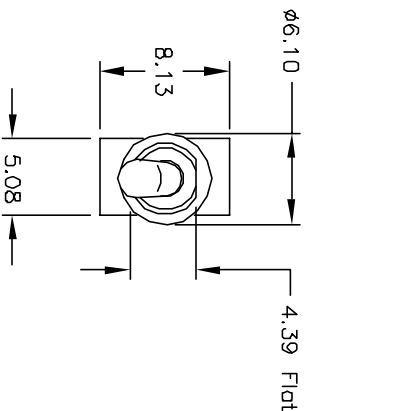


CIRCUIT: SPDT
CONTACT CONFIGURATION

SWITCH FUNCTION		
PDS. 1	PDS. 2	PDS. 3
DN	NONE	DN
2-3	DPEN	2-1



RECOMMENDED P.C.B. LAYOUT



NOTES:

1. ALL DIMENSIONS IN MM
2. GENERAL TOLERANCE: X.X=±0.4 X.XX=±0.25
3. TERM. NOS. FOR REF. ONLY
4. CONTACT RATING: 3A @120VAC OR 28VDC, 1A @250VAC
5. ELECTRIC LIFE: 30,000 make-and-break cycles at full load.
6. INSULATION RESISTANCE: 1,000 M ohm min.
7. DIELECTRIC STRENGTH: 1,000 V RMS @sed level.
8. OPERATING TEMP. -30°C to 85°C
9. DESIGNATE MAJOR DIMENSION ▲

REV.	ECN NO.	DESCRIPTION	DATE	CHKD	SCALE	DATE	DR	DWG	REV
B		REVISED ACTUATOR LENGTH	4/13/01	CJB	2:1	4/2/01	CJB	T211070	B
TITLE: 200 MSP-1 T3 B1 M7 Q E E-SWITCH®									
THE INFORMATION CONTAINED IN THIS DOCUMENT IS PROPRIETARY TO E-SWITCH AND IS NOT TO BE COPIED OR TRANSFERRED									