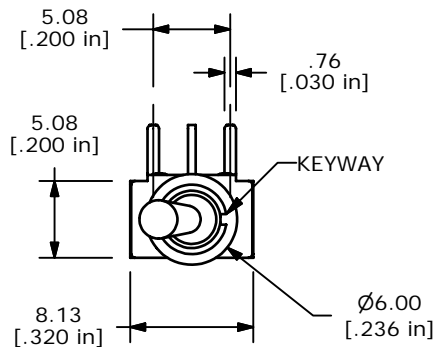
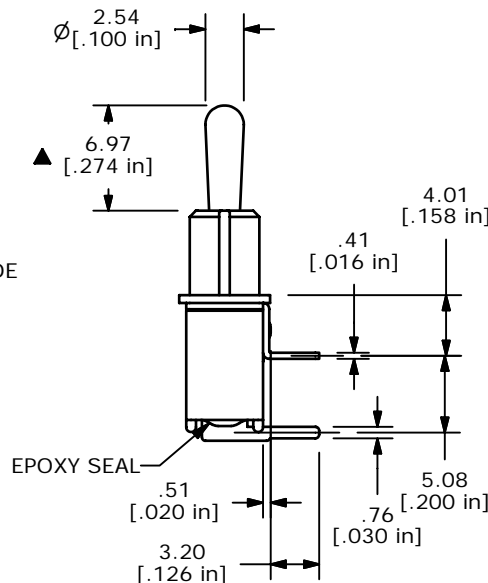
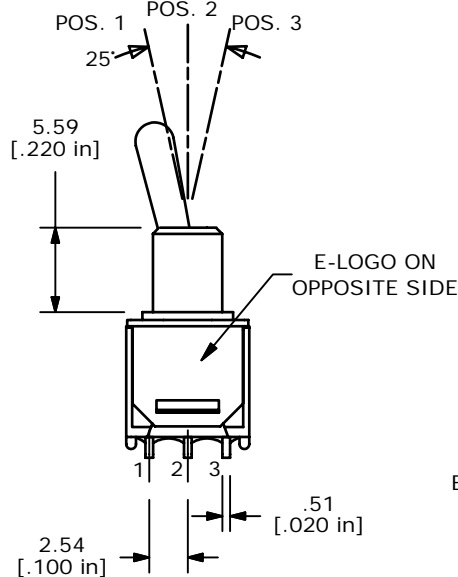
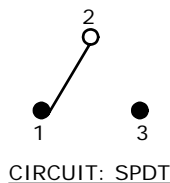


P.C. MOUNTING



ISOMETRIC

| SWITCH FUNCTION |        |        |
|-----------------|--------|--------|
| POS. 1          | POS. 2 | POS. 3 |
|                 |        |        |
| ON              | NONE   | ON     |
| 2-3             | OPEN   | 2-1    |



NOTE:

1. ALL DIMENSIONS IN MM [INCH]
2. GENERAL TOLERANCE: X.X=±0.4  
X.XX=±0.25
3. TERMINAL NUMBERS FOR REF ONLY
- ▲ 4. PLATING MATERIAL: SILVER
5. RATING: 3A@ 120VAC OR 28VDC  
1A@ 250VAC
6. ELECTRIC LIFE: 30,000 MAKE-AND-BREAK CYCLES AT FULL LOAD.
7. INSULATION RESISTANCE: 1,000 MEGA-OHM MIN.
8. DIELECTRIC STRENGTH: 1,000 V RMS @SEA LEVEL.
9. OPERATING TEMP.: -30°C to 85°C
10. ▲ DENOTES CRITICAL PARAMETER.
11. 2002/95/EC (ROHS) COMPLIANT



|     |        |                               |         |    |
|-----|--------|-------------------------------|---------|----|
| B   | 16845  | FIXED BODY, BUSHING DIRECTION | 1/10/07 | TN |
| A   | 15001  | RELEASED FOR PRODUCTION       | 6/15/05 | JB |
| REV | PCR NO | DESCRIPTION                   | DATE    | BY |

|                       |                |       |             |       |
|-----------------------|----------------|-------|-------------|-------|
| TITLE 200MSP1T3B4M6QE |                |       |             |       |
| SCALE 2:1             | DATE 1/10/2007 | DR TN | DWG T205000 | REV B |

THE INFORMATION CONTAINED IN THIS DOCUMENT IS PROPRIETARY TO E-SWITCH AND IS NOT TO BE COPIED OR TRANSFERRED