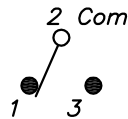
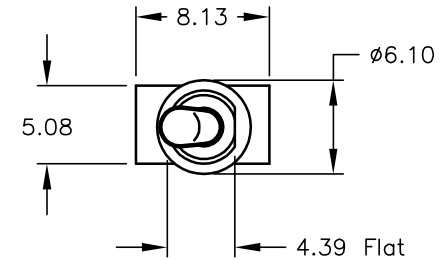


RECOMMENDED P.C.B. LAYOUT

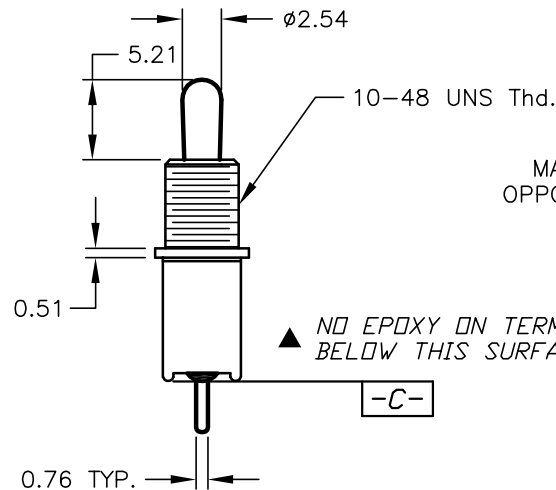


CIRCUIT: SPDT  
CONTACT CONFIGURATION

SWITCH FUNCTION		
PDS. 1	PDS. 2	PDS. 3
ON	NONE	ON
2-3	OPEN	2-1

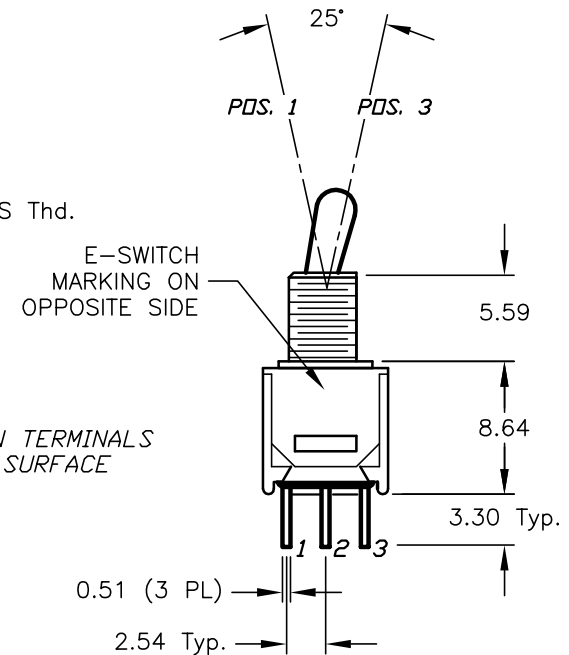
NOTES:

- ALL DIMENSIONS IN MM
- GENERAL TOLERANCE: X.X=±0.4  
X.XX=±0.25
- TERM. NOS. FOR REF. ONLY
- CONTACT RATING: 3A @120VAC OR 28VDC, 1A @250VAC
- FIXED TERMINAL & MOVING CONTACT: Copper Alloy w/Gold Plate over Nickel plate.
- CONTACT RESISTANCE: 20mILLI OHMS max. initial @2-4 VDC, 100mA for AG & Au
- ELECTRIC LIFE: 30,000 make-and-break cycles at full load.
- INSULATION RESISTANCE: 1,000 M ohm min.
- DIELECTRIC STRENGTH: 1,000 V RMS @sea level.
- OPERATING TEMP. -30°C to 85°C
- DESIGNATE MAJOR DIMENSION



▲ NO EPOXY ON TERMINALS BELOW THIS SURFACE

-C-



**E-SWITCH®**

TITLE				
200MSP2T2B1M2RE				
SCALE	DATE	DR	DWG	REV
2:1	11/19/03	AR	T211056	A