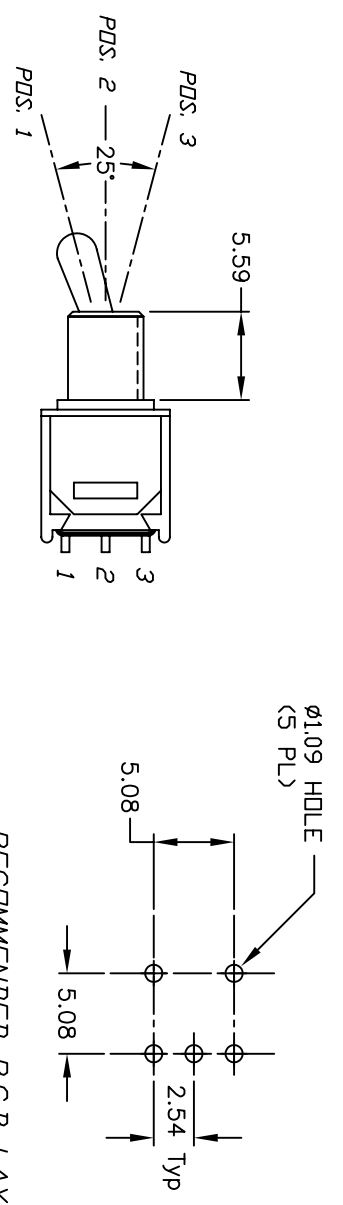


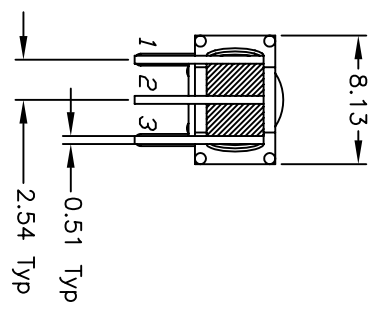
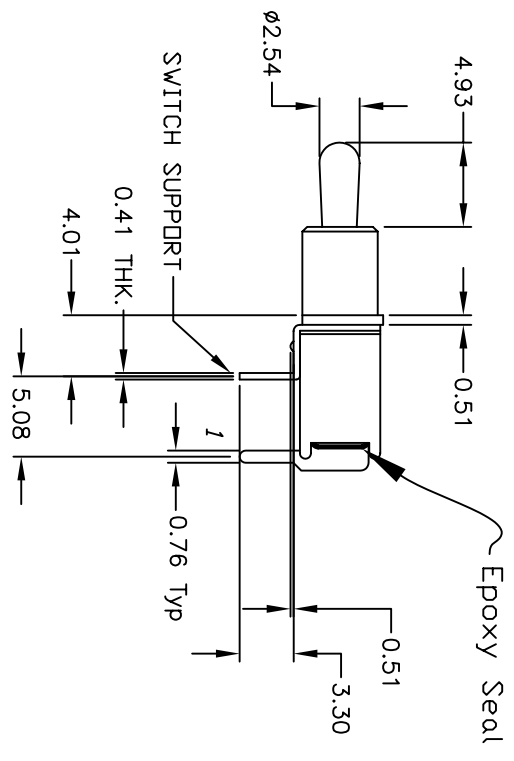
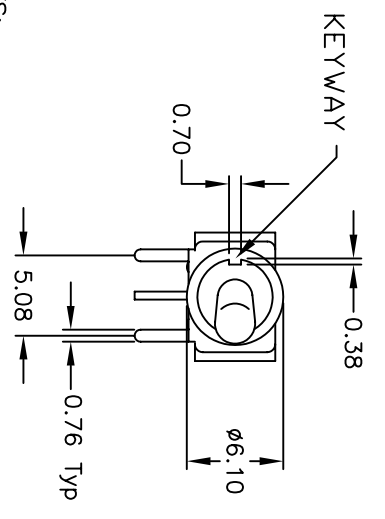
CIRCUIT: SPDT

SWITCH FUNCTION		
POS. 1	POS. 2	POS. 3
DN	NONE	(DN)
2-3	N/A	2-1

(DIMMENTARY)



RECOMMENDED P.C.B LAYOUT



- NOTES:
1. ALL DIMENSIONS IN MM
 2. GENERAL TOLERANCE: X.X=±0.4
X.XX=±0.25
 3. TERM. NOS. FOR REF. ONLY
 4. CONTACT RATING: 3A@ 120VAC. OR 28VDC:
1A@ 250VAC.
 5. FIXED TERMINAL & MOVING CONTACT: Cu alloy w/ Silver plate
 6. ELECTRIC LIFE: 30,000 make-and-break cycles
at full load.
 7. INSULATION RESISTANCE: 1,000 M ohm min.
 8. DIELECTRIC STRENGTH: 1,000 V RMS @sea level.
 9. OPERATING TEMP: -30°C to 85°C
 10. 2002/95/EC (ROHS) COMPLIANT

REV.	ECN No.	DESCRIPTION	DATE	CHKD
D	17422	FIXED DIMENSIONS,FUNCTION	6/28/07	TN
C	17415	FIXED SWITCH FUNCTION	6/27/07	TN
B	11856	REVISED AND REDRAWN	11/28/01	CJB

TITLE		SCALE		DATE		DR		DWG		REV	
200MSP2T2B4M6QE		2:1		6/28/07		TN		T212016		D	

E-SWITCH

THE INFORMATION CONTAINED IN THIS DOCUMENT IS PROPRIETARY TO E-SWITCH AND IS NOT TO BE COPIED OR TRANSFERRED