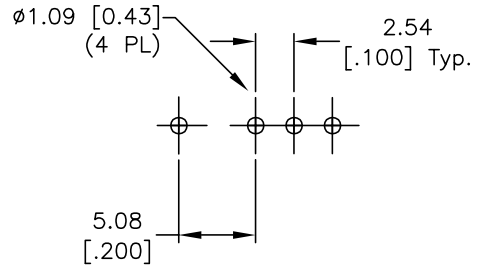
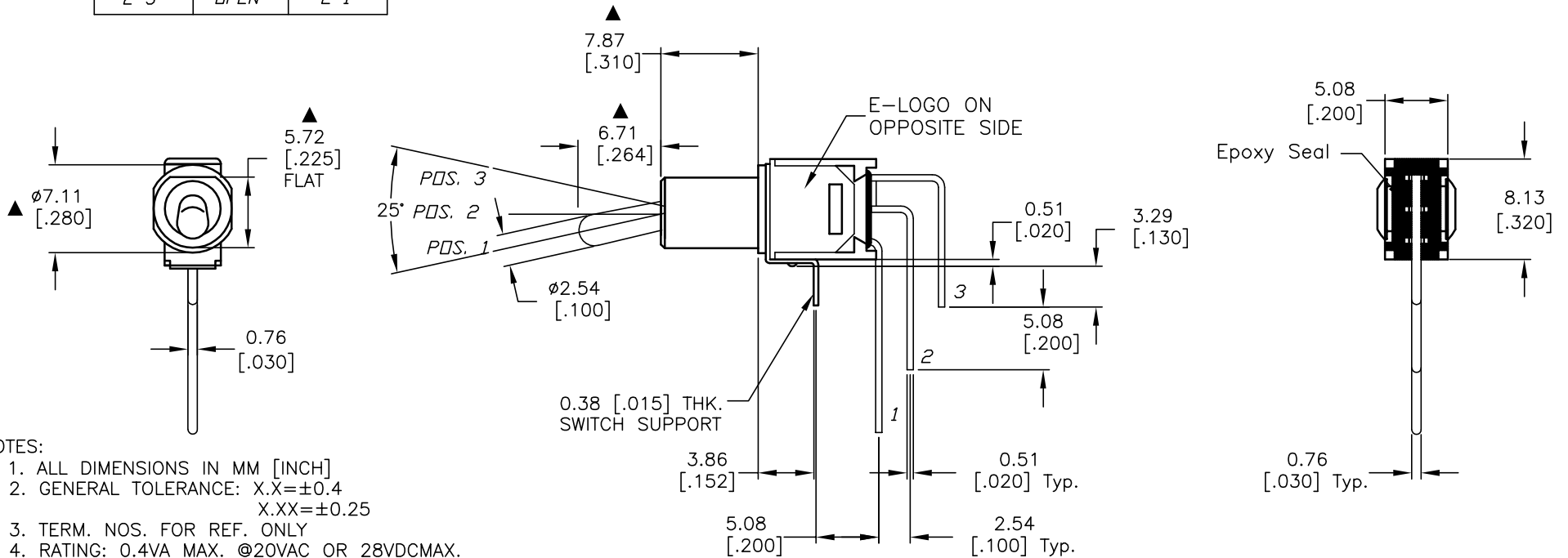


CIRCUIT: SPDT
CONTACT CONFIGURATION

SWITCH FUNCTION		
PDS. 1	PDS. 2	PDS. 3
ON	OFF	ON
2-3	OPEN	2-1



RECOMMENDED P.C.B. LAYOUT



NOTES:

- ALL DIMENSIONS IN MM [INCH]
- GENERAL TOLERANCE: X.X=±0.4
X.XX=±0.25
- TERM. NOS. FOR REF. ONLY
- RATING: 0.4VA MAX. @20VAC OR 28VDCMAX.
- FIXED TERMINAL & MOVING CONTACT: COPPER ALLOY
W/GOLD PLATE OVER NICKEL PLATE.
- ELECTRICAL LIFE: 30,000 MAKE-AND-BREAK CYCLE
AT FULL LOAD.
- DIELECTRIC STRENGTH: 1,000 V RMS @SEA LEVEL.
- OPERATING TEMP.: -30°C to 85°C
- ▲ DENOTES CRITICAL PARAMETER.

E-SWITCH®

TITLE					200MSP3T1B6M7RE				
SCALE	DATE		DR	DWG		REV			
2:1	8/18/04		AR	T213020		A			

A	14248	RELEASED FOR PRODUCTION	8/18/04	AR
REV.	ECN No.	DESCRIPTION	DATE	CHKD

THE INFORMATION CONTAINED IN THIS DOCUMENT IS PROPRIETARY TO E-SWITCH AND IS NOT TO BE COPIED OR TRANSFERRED