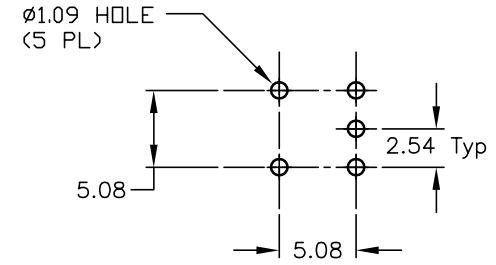
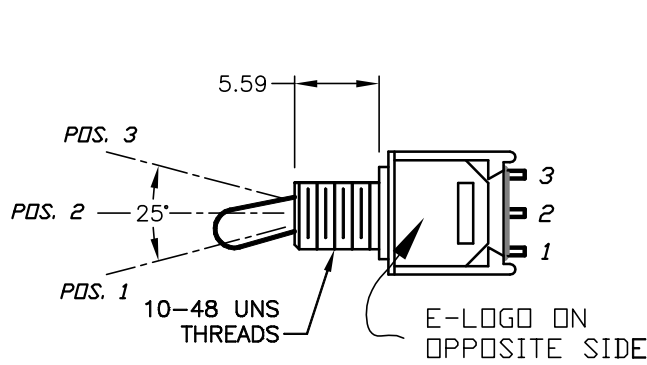


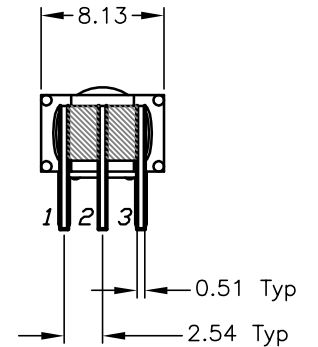
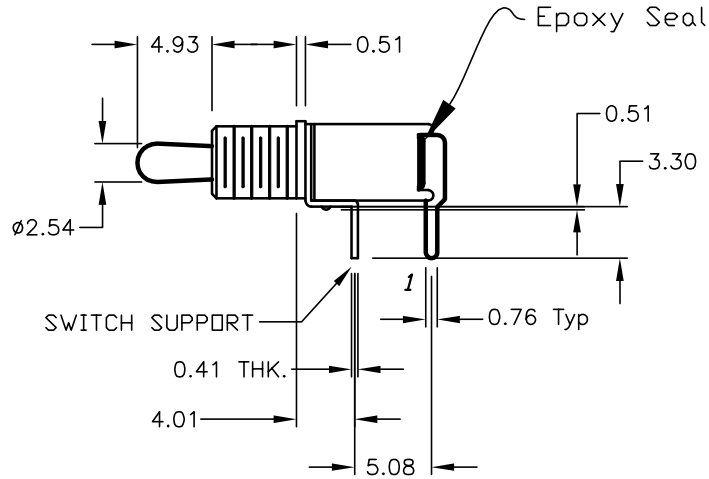
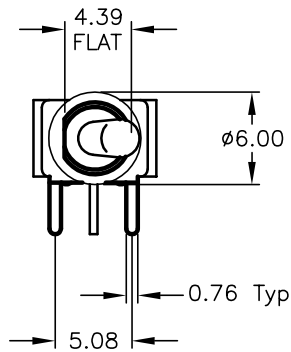
CIRCUIT: SPDT

SWITCH FUNCTION		
PDS. 1	PDS. 2	PDS. 3
<DN>	OFF	<DN>
2-3	OPEN	2-1

<DN> = MOMENTARY



RECOMMENDED P.C.B LAYOUT



NOTES:

- ALL DIMENSIONS IN MM
- GENERAL TOLERANCE: X.X=±0.4
X.XX=±0.25
- TERM. NOS. FOR REF. ONLY
- CONTACT RATING: 3A@ 120VAC. OR 28VDC:
1A@ 250VAC.
- FIXED TERMINAL & MOVING CONTACT: Cu alloy w/ Silver plate
- ELECTRIC LIFE: 30,000 make-and-break cycles
at full load.
- INSULATION RESISTANCE: 1,000 M ohm min.
- DIELECTRIC STRENGTH: 1,000 V RMS @sea level.
- OPERATING TEMP.: -30°C to 85°C

E-SWITCH®

TITLE					200MSP4T2B1M6QE				
SCALE	DATE	DR	DWG	REV					
2:1	5/18/04	AR	T211049	A					

A	14009	RELEASED FOR PRODUCTION	5/18/04	AR
REV.	ECN No.	DESCRIPTION	DATE	CHKD

THE INFORMATION CONTAINED IN THIS DOCUMENT IS PROPRIETARY TO E-SWITCH AND IS NOT TO BE COPIED OR TRANSFERRED