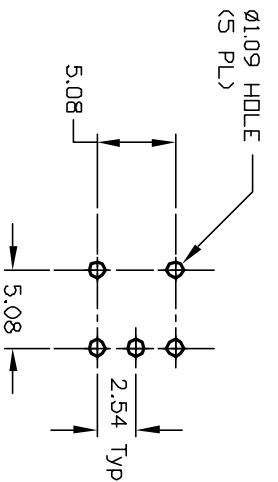
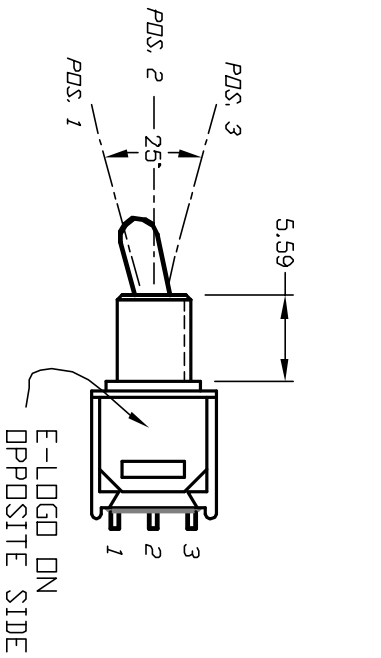


CIRCUIT: SPDT

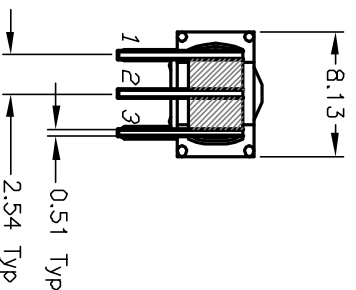
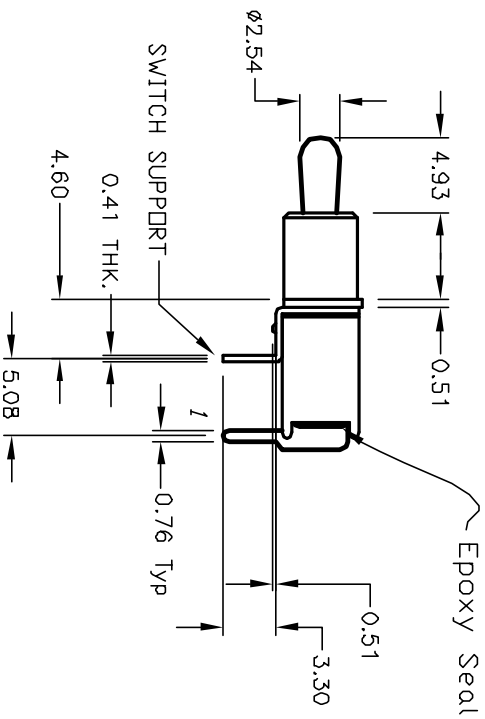
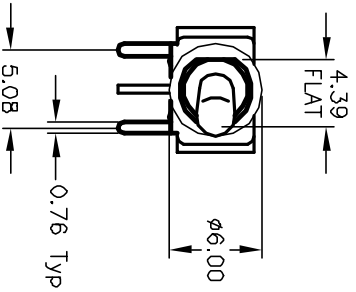
SWITCH FUNCTION		
POS. 1	POS. 2	POS. 3
<DN>	DFF	<DN>
2-3	DPEN	2-1

< > = Momentary



RECOMMENDED PCB LAYOUT

MEASURED AT POS. 2



NOTES:

1. ALL DIMENSIONS IN MM
2. GENERAL TOLERANCE: X.X=±0.4 X.XX=±0.25
3. TERM. NOS. FOR REF. ONLY
4. CONTACT RATING: 0.4VA max. @20VAC or 28VDCmax.
5. FIXED TERMINAL & MOVING CONTACT: Copper Alloy w/GOLD plate over Nickel plate.
6. ELECTRIC LIFE: 30,000 make-and-break cycles at full load.
7. INSULATION RESISTANCE: 1,000 M ohm min.
8. DIELECTRIC STRENGTH: 1,000 V RMS @sea level.
9. OPERATING TEMP.: -30°C to 85°C

E-SWITCH®

A		12699	RELEASED	1/7/03	CJB	TITLE		200 MSP-4 T2 B2 M6 R E (GOLD CONTACTS)
REV.	ECN No.	DESCRIPTION		DATE	CHKD	SCALE	DATE	DR
						2:1	1/7/03	CJB
						DWG		T211426
						REV		A

THE INFORMATION CONTAINED IN THIS DOCUMENT IS PROPRIETARY TO E-SWITCH AND IS NOT TO BE COPIED OR TRANSMITTED