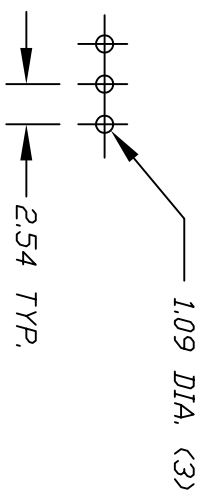
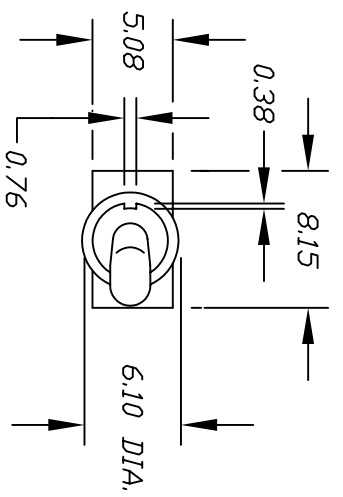


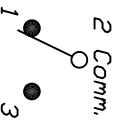
CONTACT CONFIGURATION

SWITCH FUNCTION		
POS. 1	POS. 2	POS. 3
<DN>	OFF	<DN>
2-3	OPEN	2-1

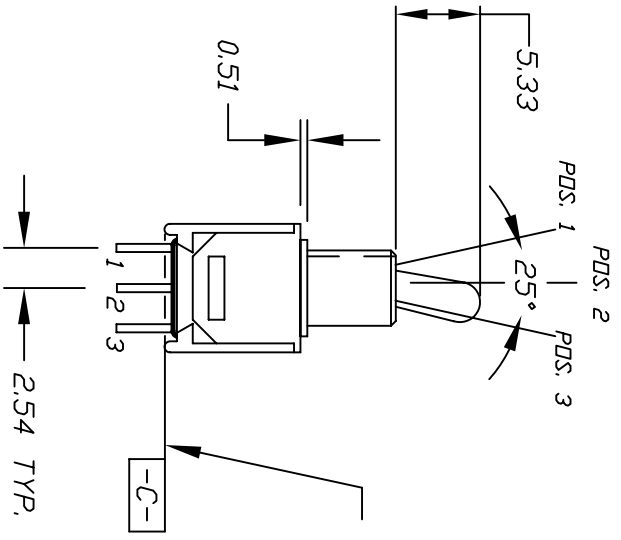
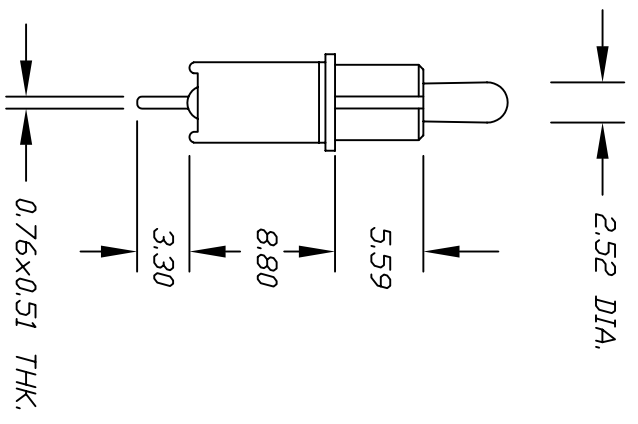
( )=Momentary



RECOMMEND P.C.B. LAYOUT



CIRCUIT: SPDT



NO EPOXY ON TERMINALS BELOW THIS SURFACE ▼

NOTES:

1. ALL DIMENSIONS IN MM
2. GENERAL TOLERANCE: X.X=±0.4  
X.XX=±0.25
3. TERMINAL NUMBERS FOR REF ONLY.
4. RATING: 0.4VA @ 20VAC ORDC MAX.
5. ELECTRICAL LIFE: 30,000 CYCLES
6. INSULATION RESISTANCE: 1,000 MEGA Ω
7. OPERATING TEMPERATURE: -30°C TO 85°C
8. 2002/95/EC (ROHS) COMPLIANT



REV.	ECN No.	DESCRIPTION	DATE	CHKD
B	15881	UPDATE NOTES	3/21/06	PML
A	10930	RELEASED FOR PRODUCTION	9/1/00	PML

TITLE	SCALE	DATE	DR	DWG	REV
200 MSP-4 T2 B4 M2 R E	1:1	9/1/00	PML	T211063	B

THE INFORMATION CONTAINED IN THIS DOCUMENT IS PROPRIETARY TO E-SWITCH AND IS NOT TO BE COPIED OR TRANSFERRED