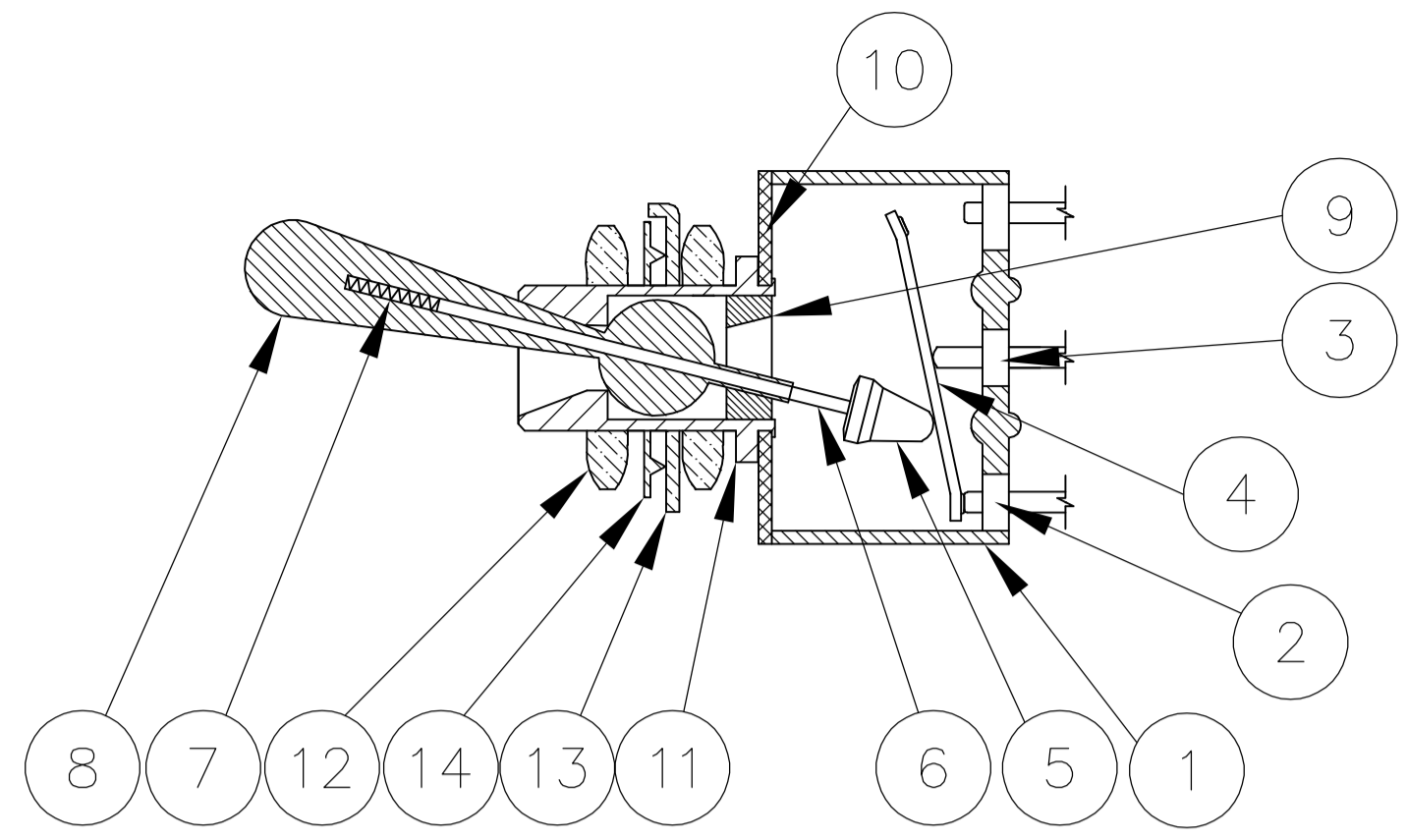


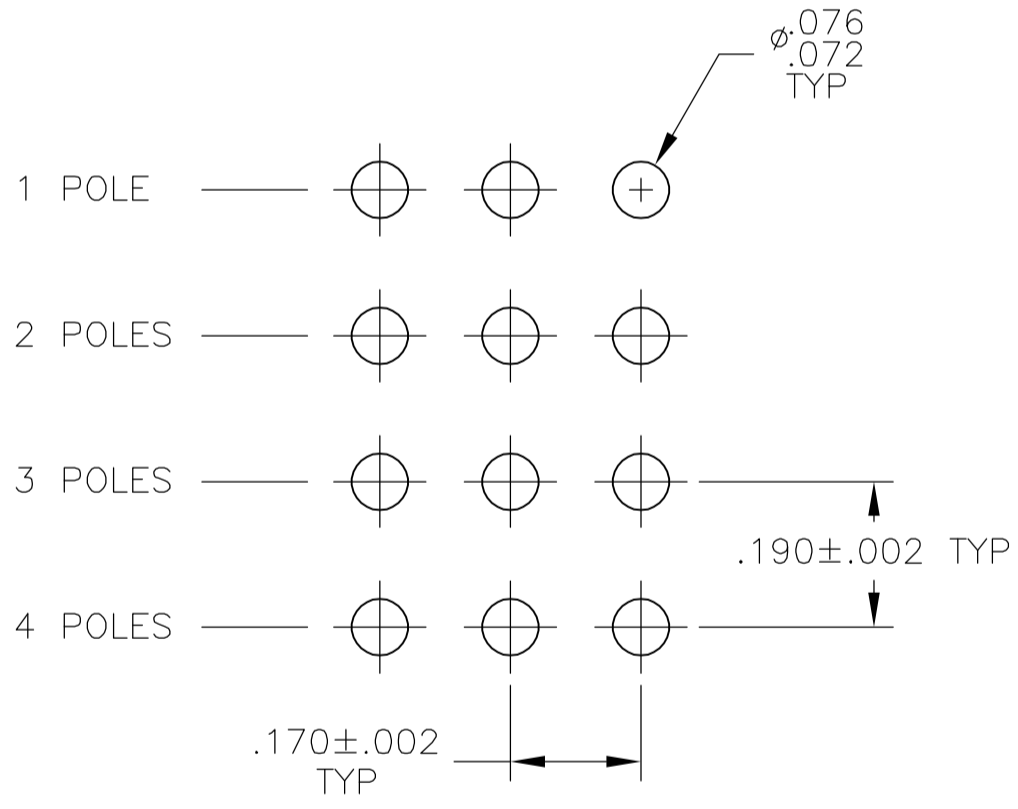
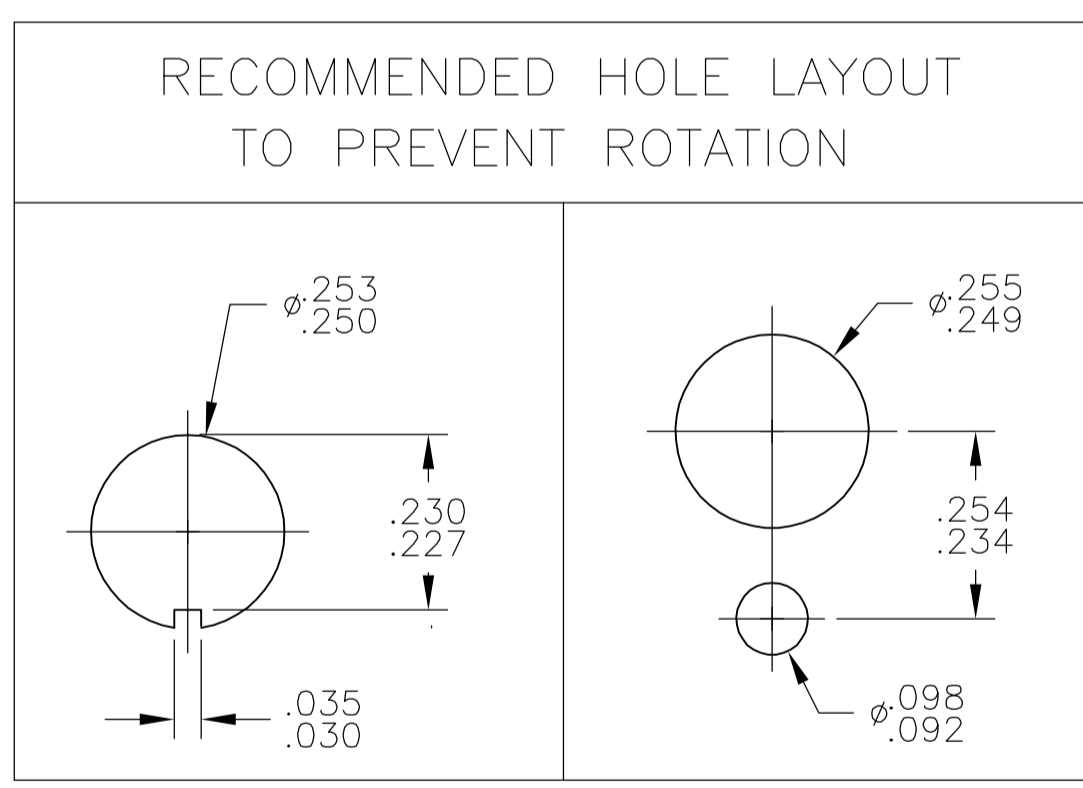
Materials			
No.	Component name	Base material	Finish
1	Housing	ALKYD, GREEN, UL94 V-0	
2	End terminal	silver clad copper alloy	5 microinches min. gold
3	Center terminal	copper alloy	5 microinches min. gold
4	Rocker contact	silver clad copper alloy	5 microinches min. gold
5	Actuator	Phenol resin, UL94 HB, black	
6	Plunger	stainless steel	
7	Spring	music wire	
8	Toggle	brass	200 microinches min. bright nickel, electrodeposited
9	Retainer	Polyamide, UL94 HB, black	
10	Frame	cold rolled steel	200 microinches min. bright nickel, electrodeposited
11	Bushing	Zinc	100 microinches min. nickel electrodeposited over 200 microinches min. copper
12	Mounting nuts (2)	brass	200 microinches min. bright nickel electrodeposited.
13	Locating ring	cold rolled steel	200 microinches min. bright nickel, electrodeposited
14	Internal tooth lockwasher	steel	200 microinches min. bright nickel, electrodeposited



NOT TO SCALE

Specifications-see note 3				
Current rating UL & CSA	6A @ 125 VAC (resistive) 3A @ 250 VAC (resistive) 4A @ 28 VDC (resistive)			
Termination resistance	20 milliohms max @ 2-4 VDC, 1A			
Insulation resistance	1,000 megohms min.			
Withstanding voltage	1,000 VAC			
Travel	24 +/- 2 degrees			
Actuation force	.05 to 1.5 kgf			
Operating temperature	-20C to +85C			
Storage temperature	-40C to +85C			
Contact timing	break before make			
Terminal seal	epoxy			
Durability	Parameter	2 Position	3 Position	Momentary
	mechanical (no load)	150,000	100,000	80,000
	250 VAC (3A resistive)	80,000	60,000	60,000
	125 VAC (6A resistive)	80,000	60,000	60,000
	28 VDC (4A resistive)	60,000	50,000	40,000

Tyco P/N	Alco P/N	Poles	Throws	Function	Terminal	Terminal Diagrams	Comments	
4-1571920-3	MTA406PPC04	4	2	ON OFF ON	PC	 3 2 1 6 5 4 9 8 7 12 11 10		
4-1571920-2	MTA406PAPC04	2	3	ON ON ON	PC	 3 2 1 6 5 4 9 8 7 12 11 10	note 7	
4-1571920-1	MTA406PA04	2	3	ON ON ON	Wire lug	 3 2 1 6 5 4 9 8 7 12 11 10	note 7	
4-1571920-0	MTA406P04	4	2	ON OFF ON	Wire lug	 3 2 1 6 5 4 9 8 7 12 11 10		
3-1571920-9	MTA406NPC04	4	2	ON ON	PC	 3 2 1 6 5 4 9 8 7 12 11 10		
3-1571920-8	MTA406N04	4	2	ON ON	Wire lug	 3 2 1 6 5 4 9 8 7 12 11 10		
3-1571920-7	MTA306HPC04	3	2	ON OFF(ON)	PC	 3 2 1 6 5 4 9 8 7 12 11 10		
3-1571920-6	MTA306H04	3	2	ON OFF(ON)	Wire lug	 3 2 1 6 5 4 9 8 7 12 11 10		
3-1571920-5	MTA306FPC04	3	2	ON (ON)	PC	 3 2 1 6 5 4 9 8 7 12 11 10		
3-1571920-4	MTA306F04	3	2	ON (ON)	Wire lug	 3 2 1 6 5 4 9 8 7 12 11 10		
3-1571920-3	MTA306EPC04	3	2	ON OFF ON	PC	 3 2 1 6 5 4 9 8 7 12 11 10		
3-1571920-2	MTA306E04	3	2	ON OFF ON	Wire lug	 3 2 1 6 5 4 9 8 7 12 11 10		
3-1571920-1	MTA306DPC04	3	2	ON ON	PC	 3 2 1 6 5 4 9 8 7 12 11 10		
3-1571920-0	MTA306D04	3	2	ON ON	Wire lug	 3 2 1 6 5 4 9 8 7 12 11 10		
2-1571920-9	MTA206TPC04	2	2	ON OFF(ON)	PC	 3 2 1 6 5 4 9 8 7 12 11 10		
2-1571920-8	MTA206TA04	1	3	ON ON (ON)	Wire lug	 3 2 1 6 5 4 9 8 7 12 11 10	note 6	
2-1571920-7	MTA206T04	2	2	ON OFF(ON)	Wire lug	 3 2 1 6 5 4 9 8 7 12 11 10		
2-1571920-6	MTA206SPC04	2	2	(ON) OFF (ON)	PC	 3 2 1 6 5 4 9 8 7 12 11 10		
2-1571920-5	MTA206SAPC04	1	3	(ON) ON (ON)	PC	 3 2 1 6 5 4 9 8 7 12 11 10	note 6	
2-1571920-4	MTA206SA04	1	3	(ON) ON (ON)	Wire lug	 3 2 1 6 5 4 9 8 7 12 11 10	note 6	
2-1571920-3	MTA206S04	2	2	(ON) OFF (ON)	Wire lug	 3 2 1 6 5 4 9 8 7 12 11 10		
2-1571920-2	MTA206RPC04	2	2	ON (ON)	PC	 3 2 1 6 5 4 9 8 7 12 11 10		
2-1571920-1	MTA206R04	2	2	ON (ON)	Wire lug	 3 2 1 6 5 4 9 8 7 12 11 10		
2-1571920-0	MTA206PPC04	2	2	ON OFF ON	PC	 3 2 1 6 5 4 9 8 7 12 11 10		
1-1571920-9	MTA206PAPC04	1	3	ON ON ON	PC	 3 2 1 6 5 4 9 8 7 12 11 10	note 6	
1-1571920-8	MTA206PA04	1	3	ON ON ON	Wire lug	 3 2 1 6 5 4 9 8 7 12 11 10	note 6	
1-1571920-7	MTA206P04	2	2	ON OFF ON	Wire lug	 3 2 1 6 5 4 9 8 7 12 11 10		
1-1571920-6	MTA206NPC04	2	2	ON ON	PC	 3 2 1 6 5 4 9 8 7 12 11 10		
1-1571920-5	MTA206N04	2	2	ON ON	Wire lug	 3 2 1 6 5 4 9 8 7 12 11 10		
OBSOLETE	1-1571920-4	MTA206KPC04	2	1	ON OFF	PC	 3 2 1 6 5 4 9 8 7 12 11 10	OFF
OBSOLETE	1-1571920-3	MTA206K04	2	1	ON OFF	Wire lug	 3 2 1 6 5 4 9 8 7 12 11 10	OFF
1-1571920-2	MTA106HPC04	1	2	ON OFF(ON)	PC	 3 2 1 6 5 4 9 8 7 12 11 10	2-1	
1-1571920-1	MTA106H04	1	2	ON OFF(ON)	Wire lug	 3 2 1 6 5 4 9 8 7 12 11 10	2-1	
1-1571920-0	MTA106GPC04	1	2	(ON) OFF (ON)	PC	 3 2 1 6 5 4 9 8 7 12 11 10	2-1	
1571920-9	MTA106G04	1	2	(ON) OFF (ON)	Wire lug	 3 2 1 6 5 4 9 8 7 12 11 10	2-1	
1571920-8	MTA106FPC04	1	2	ON (ON)	PC	 3 2 1 6 5 4 9 8 7 12 11 10	2-1	
1571920-7	MTA106F04	1	2	ON (ON)	Wire lug	 3 2 1 6 5 4 9 8 7 12 11 10	2-1	
1571920-6	MTA106EPC04	1	2	ON OFF ON	PC	 3 2 1 6 5 4 9 8 7 12 11 10	2-1	
1571920-5	MTA106E04	1	2	ON OFF ON	Wire lug	 3 2 1 6 5 4 9 8 7 12 11 10	2-1	
1571920-4	MTA106DPC04	1	2	ON ON	PC	 3 2 1 6 5 4 9 8 7 12 11 10	2-1	
1571920-3	MTA106D04	1	2	ON ON	Wire lug	 3 2 1 6 5 4 9 8 7 12 11 10	2-1	
OBSOLETE	1571920-2	MTA106APC04	1	1	ON OFF	PC	 3 2 1 6 5 4 9 8 7 12 11 10	OFF
OBSOLETE	1571920-1	MTA106A04	1	1	ON OFF	Wire lug	 3 2 1 6 5 4 9 8 7 12 11 10	OFF



- NOTES:
- TERMINAL NUMBERS ARE FOR REFERENCE ONLY AND DO NOT APPEAR ON THE SWITCHES.
 - EACH SWITCH SUPPLIED WITH THE FOLLOWING MOUNTING HARDWARE:
 (2) 1/4-40 UNS-2B HEX NUTS
 (1) INTERNAL TOOTH LOCKWASHER
 (1) LOCATING RING
 - SWITCHES TESTED TO AND MEET THE REQUIREMENTS OF UL 61058-1A, SWITCHES FOR APPLIANCES SWITCHES WILL ALSO BE TESTED TO AND MEET THE REQUIREMENTS OF TYCO 102-2469, REV 0, MINIATURE SWITCH QUALIFICATION REQUIREMENTS.
 - SWITCHES ARE PENDING UL RECOGNITION TO US AND CANADIAN STANDARDS.
 - WIRE LUG CONTACTS WILL ACCEPT 2 #20 AWG SOLID OR STRANDED WIRES.
 - CUSTOMER INSTALLED EXTERNAL JUMPER BETWEEN TERMINALS 2 AND 4 REQUIRED FOR 1 POLE 3 THROW FUNCTION.
 - CUSTOMER INSTALLED EXTERNAL JUMPERS BETWEEN TERMINALS 2 AND 4 AS WELL AS 8 AND 10 REQUIRED FOR 2 POLE 3 THROW FUNCTION.
 - SWITCHES ARE MARKED PER TYCO SPEC 202-37 WITH ALCO BENEATH TYCO AS SHOWN.
 - ALL MATERIALS AND FINISHES SHALL COMPLY WITH EU DIRECTIVE 2002/95/EC OF 27JAN2003 (ROHS).

THIS DRAWING IS A CONTROLLED DOCUMENT. DWN BSV 02DEC2005

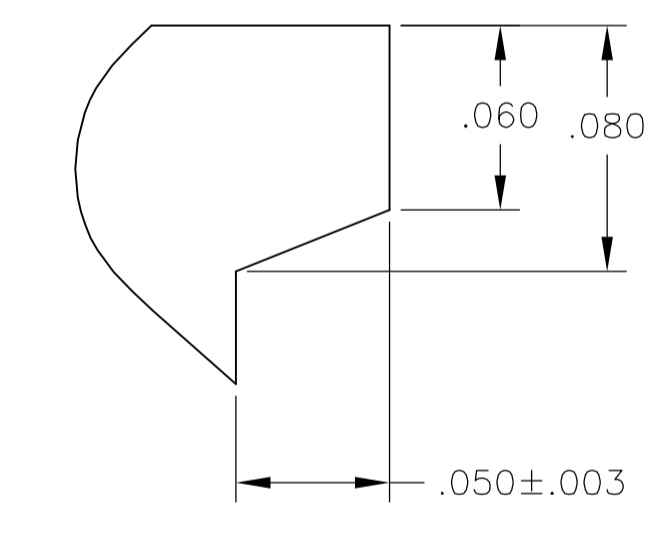
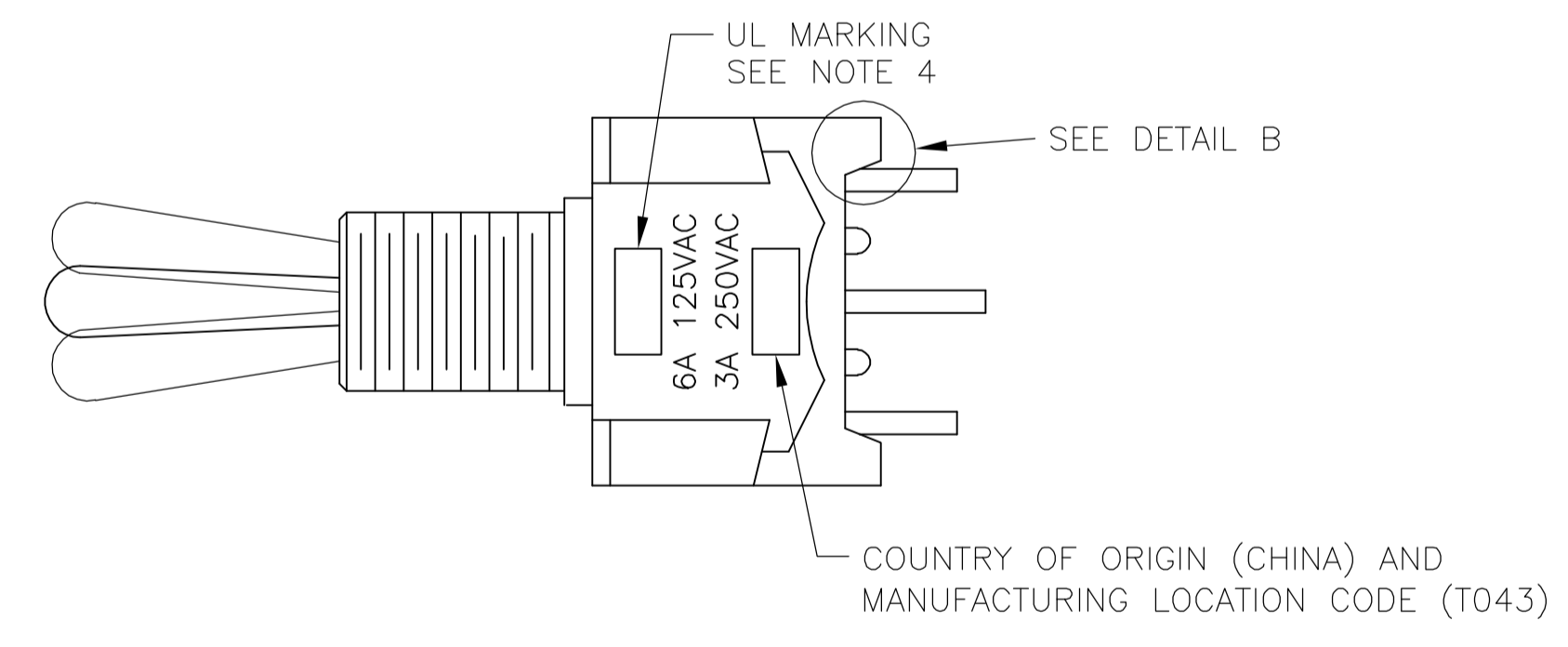
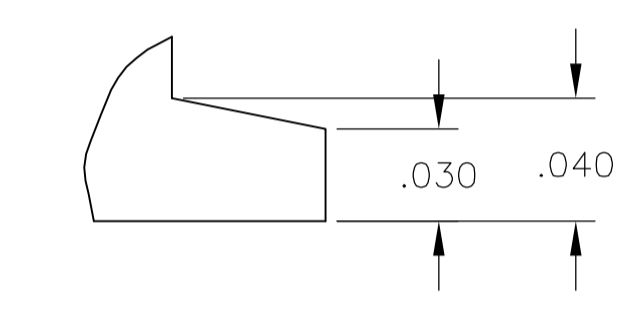
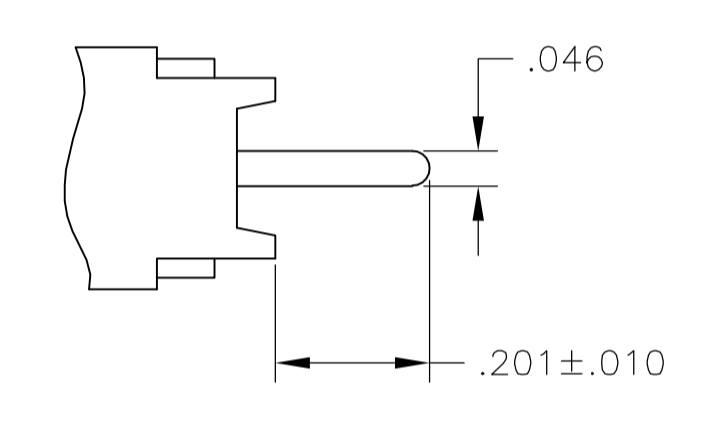
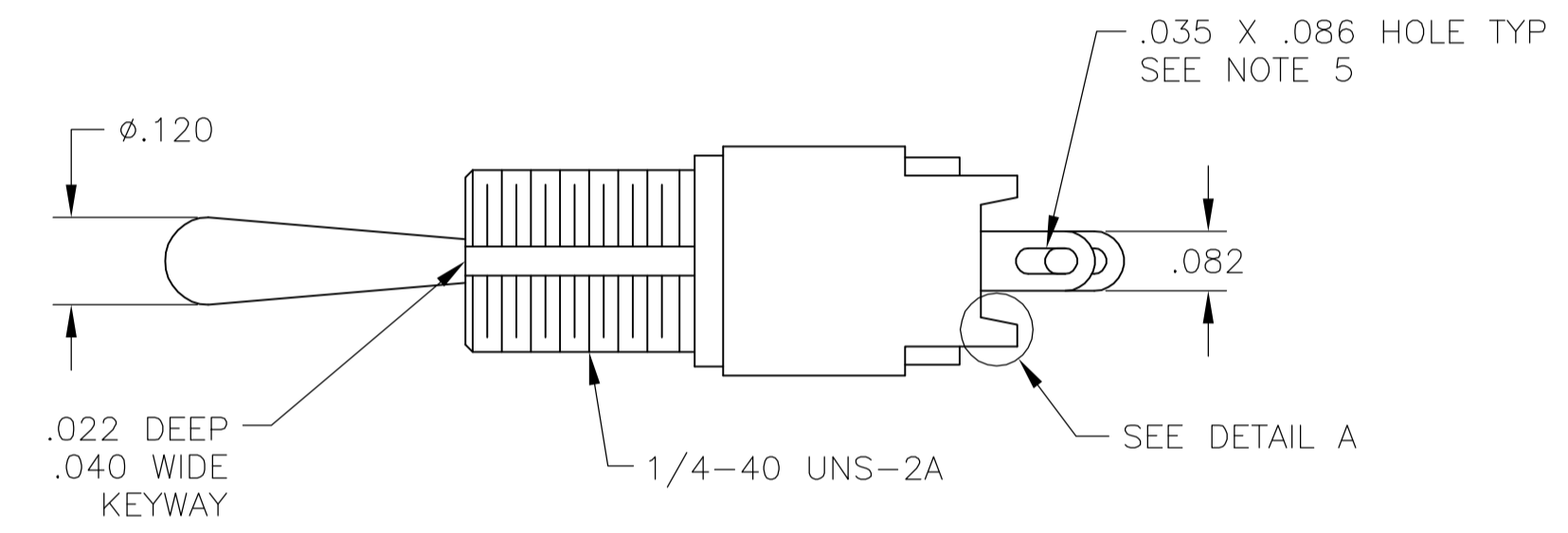
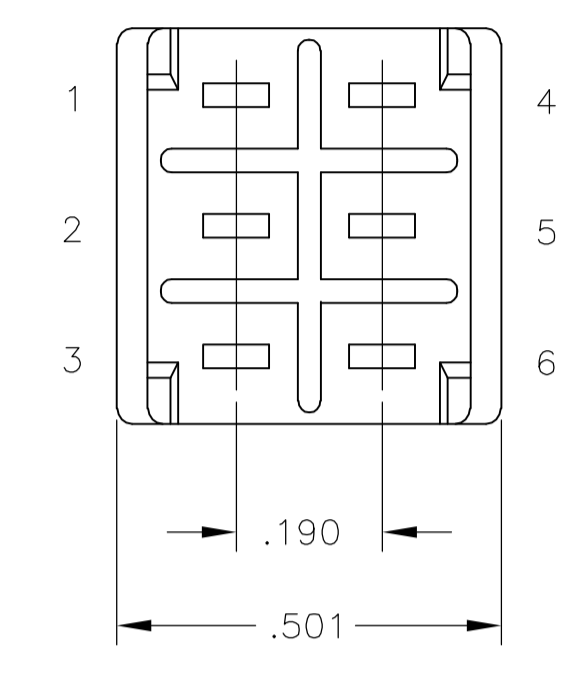
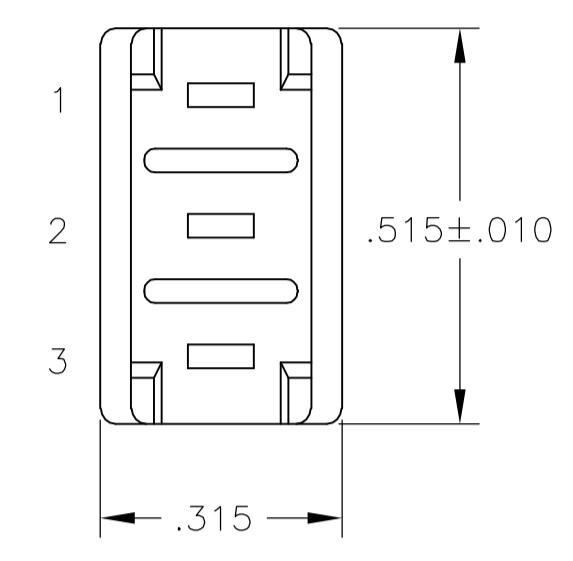
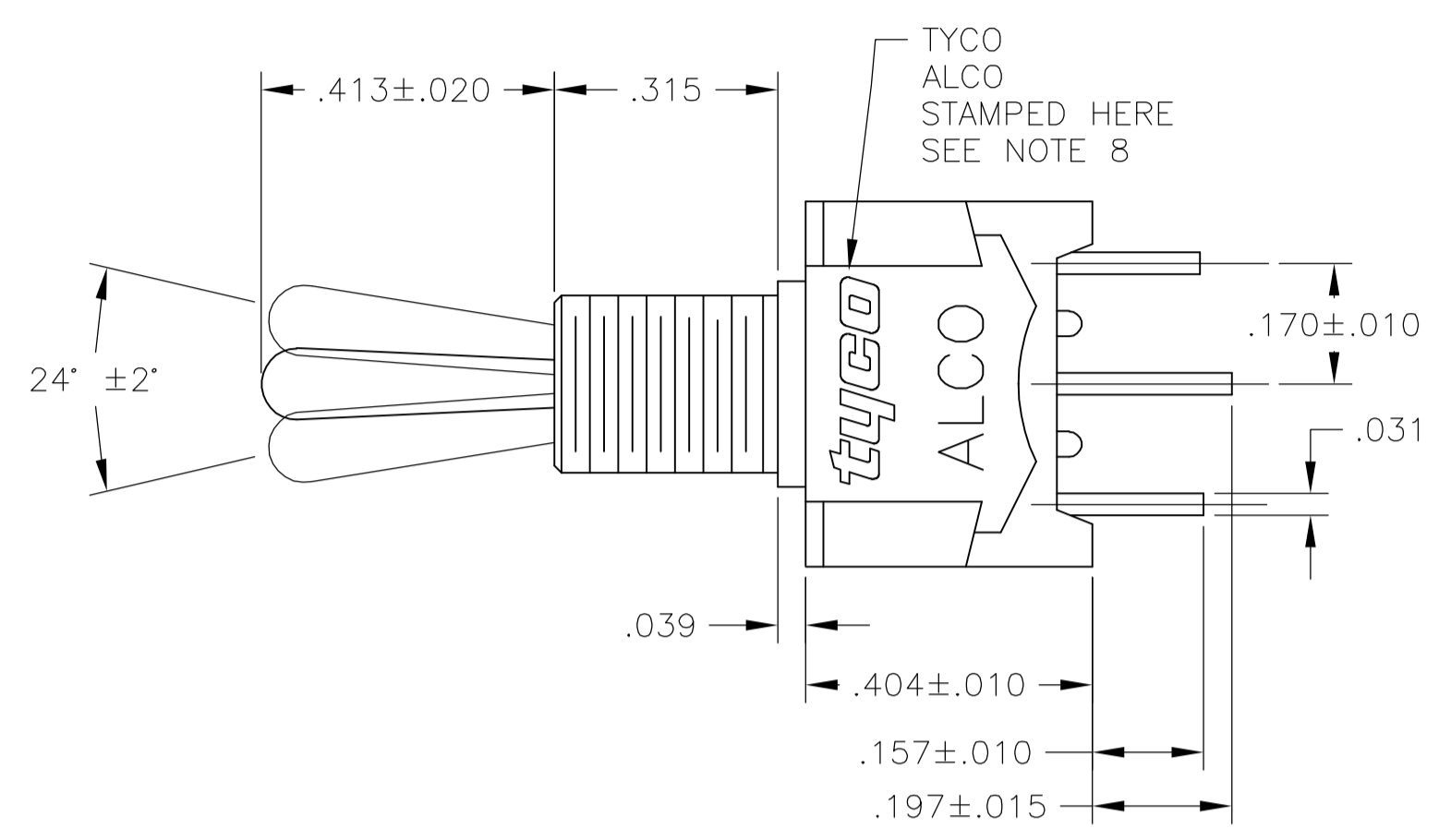
TYCO Electronics Tyco Electronics Corporation Harrisburg, PA 17105-3608

APD M. ZITTO 29DEC03 NAME ALCO SWITCH GREEN SERIES TOGGLE SWITCH MTA VERTICAL MOUNT

PRODUCT SPEC APPLICATION SPEC

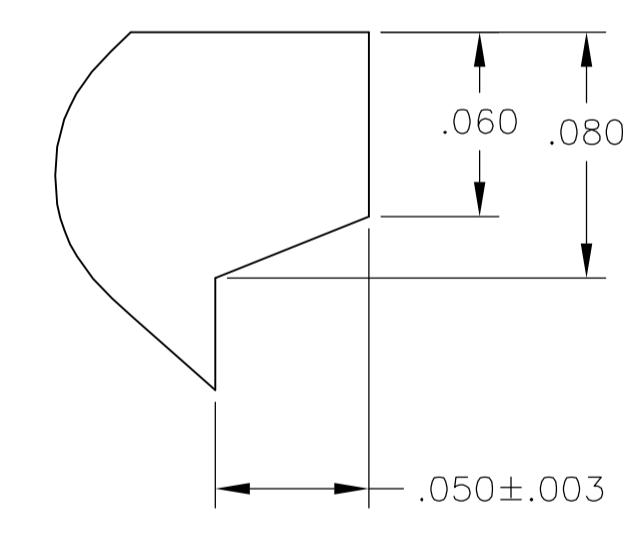
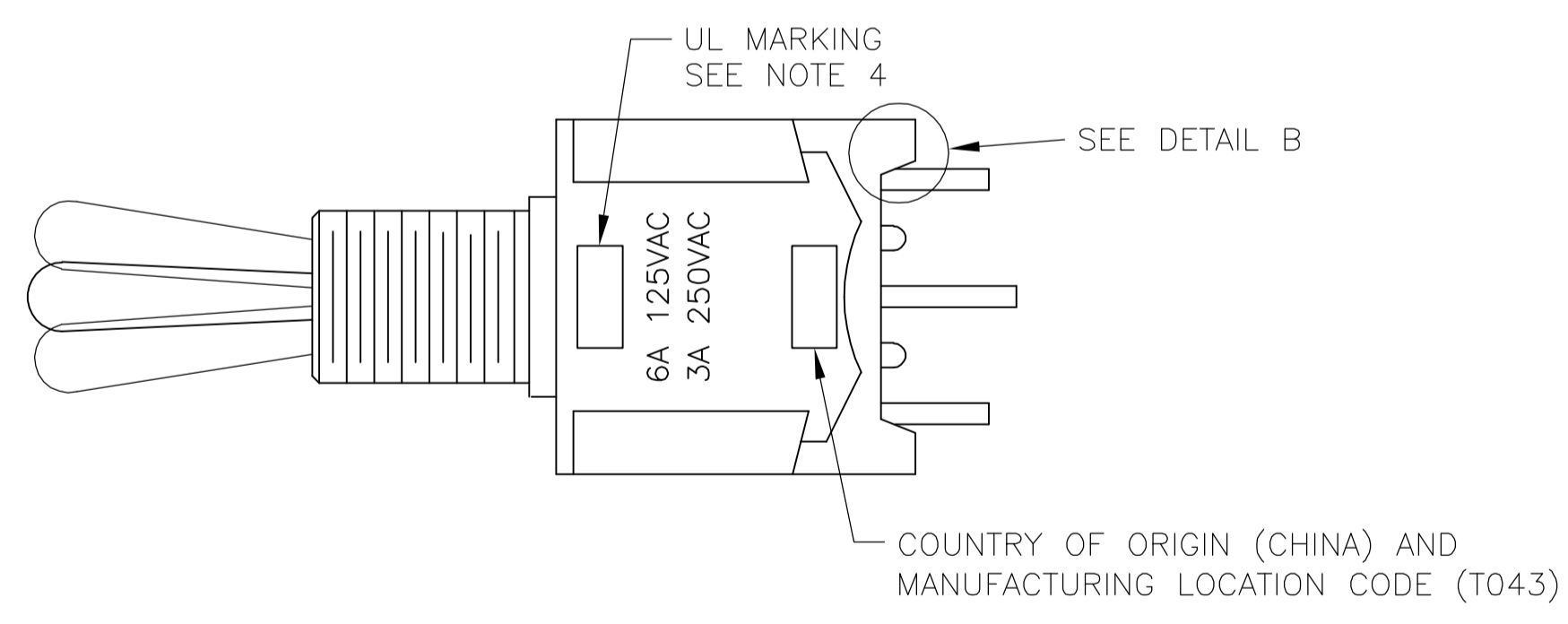
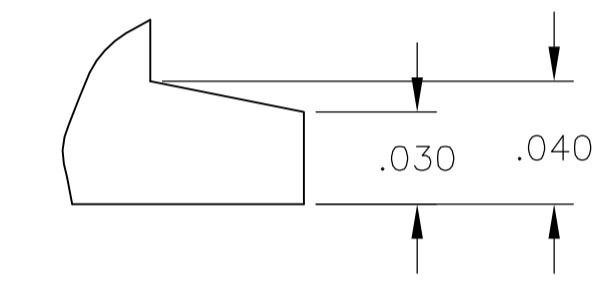
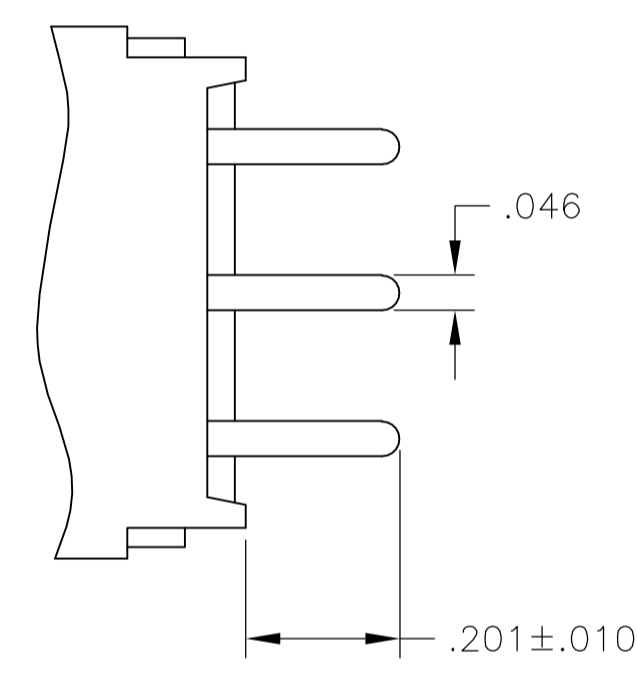
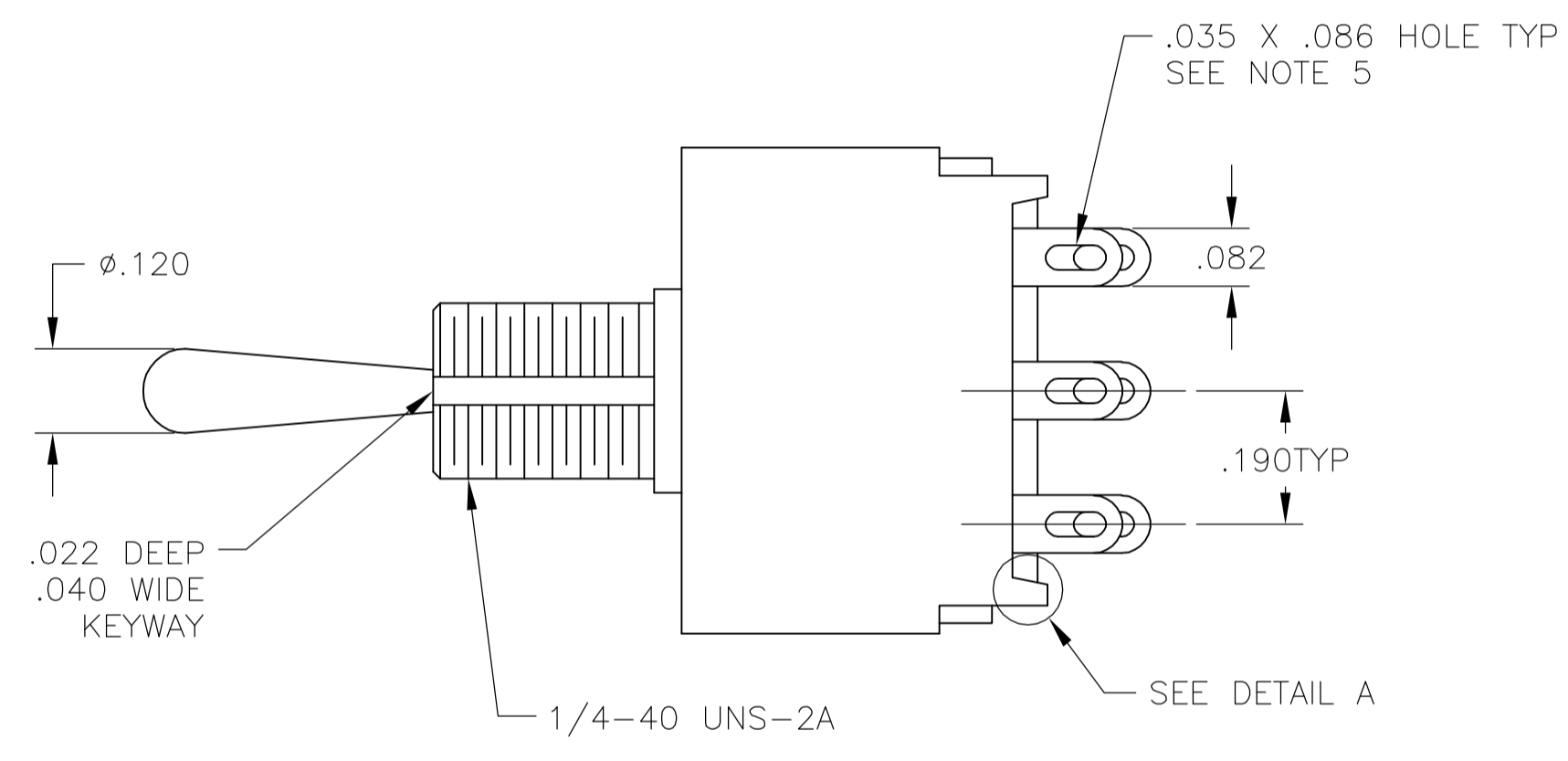
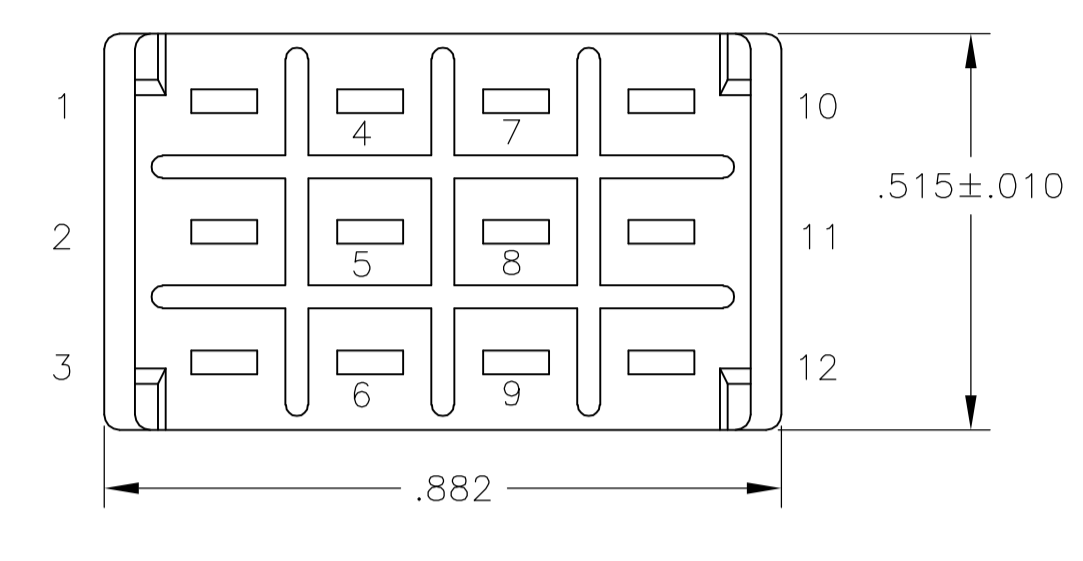
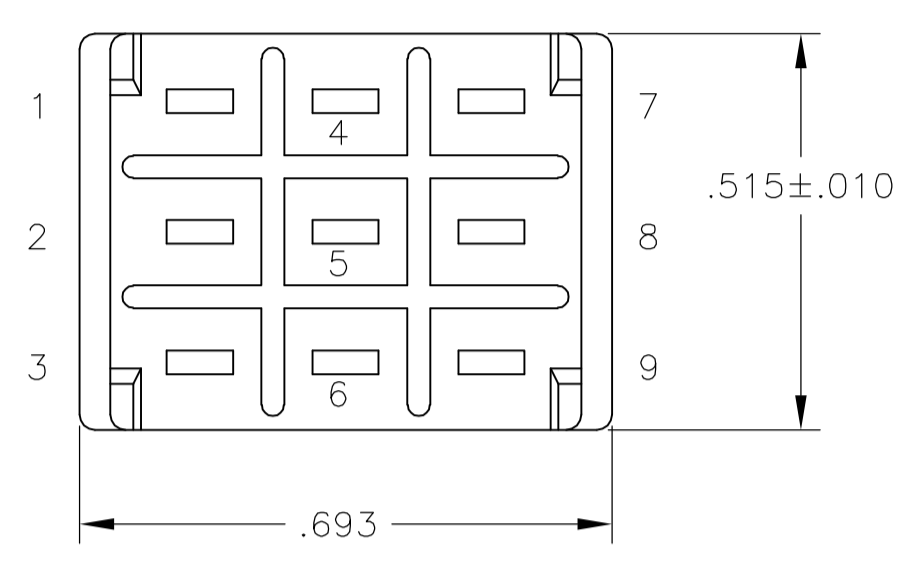
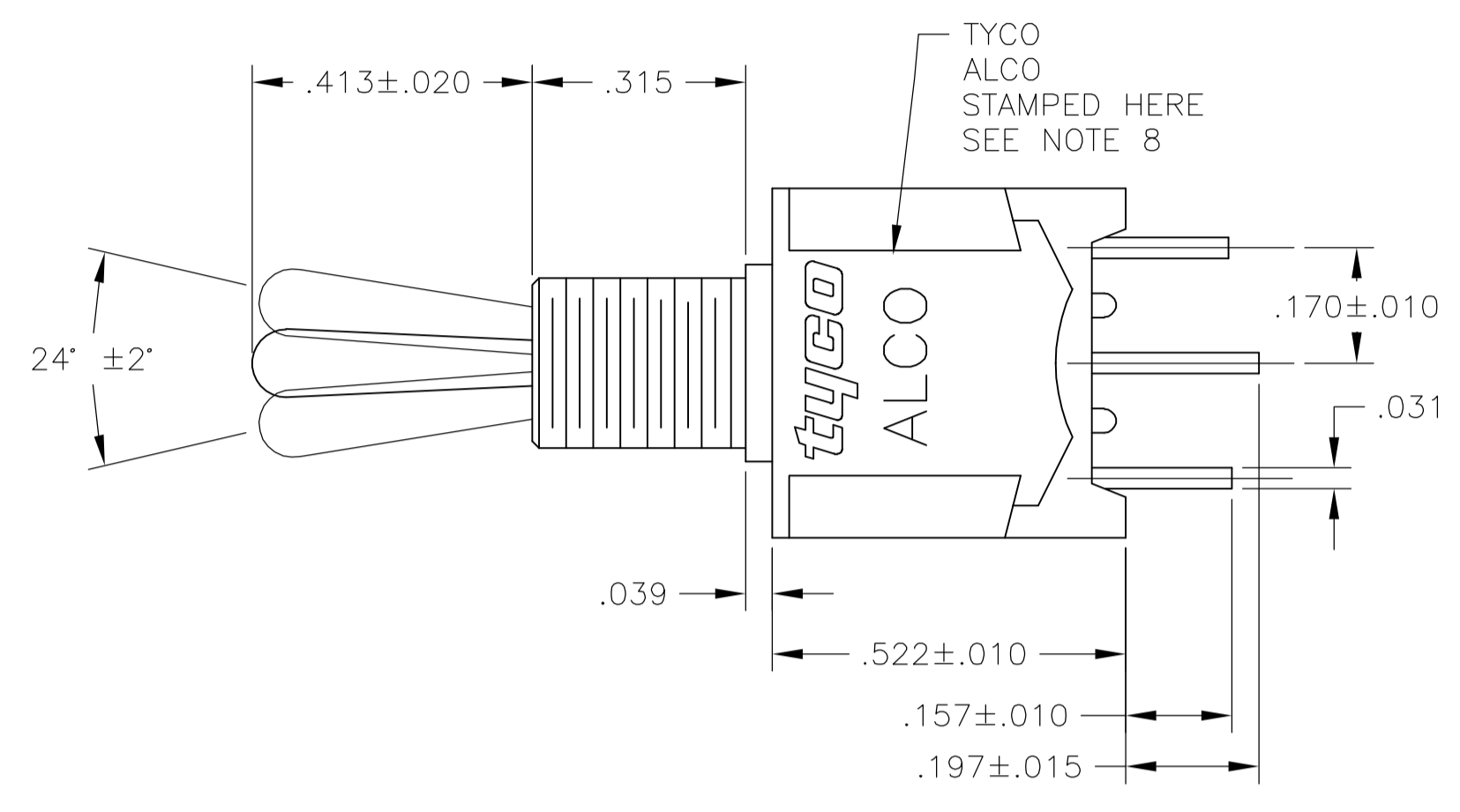
SIZE A1 CAGE CODE 00779 DRAWING NO 1571920 RESTRICTED TO

WEIGHT CUSTOMER DRAWING SCALE 4:1 SHEET 1 OF 3 REV A



THIS DRAWING IS A CONTROLLED DOCUMENT.		DWG: BSV	02DEC2005	Tyco Electronics Corporation Harrisburg, PA 17105-3608																									
DIMENSIONS: INCHES		TOLERANCES UNLESS OTHERWISE SPECIFIED:	APVD: M. ZITTO	29DEC03	NAME: ALCOSWITCH GREEN SERIES TOGGLE SWITCH MTA VERTICAL MOUNT																								
<table border="1"> <tr><td>0</td><td>PLC</td><td>±</td><td>-</td></tr> <tr><td>1</td><td>PLC</td><td>±</td><td>-</td></tr> <tr><td>2</td><td>PLC</td><td>±</td><td>-</td></tr> <tr><td>3</td><td>PLC</td><td>±</td><td>-</td></tr> <tr><td>4</td><td>PLC</td><td>±</td><td>.005</td></tr> <tr><td colspan="2">ANGLES</td><td>±</td><td>1</td></tr> </table>		0	PLC	±	-	1	PLC	±	-	2	PLC	±	-	3	PLC	±	-	4	PLC	±	.005	ANGLES		±	1	APPLIC. SPEC	SIZE: A1	CAGE CODE: 00779	DRAWING NO: 1571920
0	PLC	±	-																										
1	PLC	±	-																										
2	PLC	±	-																										
3	PLC	±	-																										
4	PLC	±	.005																										
ANGLES		±	1																										
MATERIAL: -		FINISH: -	WEIGHT: -	CUSTOMER DRAWING																									
		SCALE: 4:1	SHEET: 2	OF: 3	REV: A																								

LOC		DIST		REVISIONS			
AD	00	REV	DATE	BY	APPV	DESCRIPTION	
		1				SEE SHEET 1	



WIRE LUG TERMINAL

THIS DRAWING IS A CONTROLLED DOCUMENT.		DWG: BSV	02DEC2005	Tyco Electronics Corporation Harrisburg, PA 17105-3608																									
DIMENSIONS: INCHES		TOLERANCES UNLESS OTHERWISE SPECIFIED:	APVD: M. ZITTO	29DEC03	NAME: ALCOSWITCH GREEN SERIES TOGGLE SWITCH MTA VERTICAL MOUNT																								
<table border="1"> <tr><td>0</td><td>PLC</td><td>±</td><td>-</td></tr> <tr><td>1</td><td>PLC</td><td>±</td><td>-</td></tr> <tr><td>2</td><td>PLC</td><td>±</td><td>-</td></tr> <tr><td>3</td><td>PLC</td><td>±</td><td>-.005</td></tr> <tr><td>4</td><td>PLC</td><td>±</td><td>-.005</td></tr> <tr><td colspan="2">ANGLES</td><td>±</td><td>± 1</td></tr> </table>		0	PLC	±	-	1	PLC	±	-	2	PLC	±	-	3	PLC	±	-.005	4	PLC	±	-.005	ANGLES		±	± 1	PRODUCT SPEC	APPLICATION SPEC	SIZE: A1	CAGE CODE: 00779
0	PLC	±	-																										
1	PLC	±	-																										
2	PLC	±	-																										
3	PLC	±	-.005																										
4	PLC	±	-.005																										
ANGLES		±	± 1																										
MATERIAL: -		FINISH: -	WEIGHT: -	DRAWING NO: 1571920	RESTRICTED TO: -																								
CUSTOMER DRAWING			SCALE: 4:1	SHEET: 3 OF 3	REV: A																								