

# MICRO SWITCH

FREERPORT, ILLINOIS, U S A  
A DIVISION OF HONEYWELL  
FED. MFG. CODE 91929

## SWITCH-TOGGLE

CATALOG LISTING  
**2TL1-50 SERIES**  
CHART 1

MILITARY  
STANDARD  
NUMBER

CATALOG  
LISTING

AVAILABLE  
LOCKING  
COMBINATIONS  
FOR CONFIGURATION  
SEE LETTERED  
DETAILS

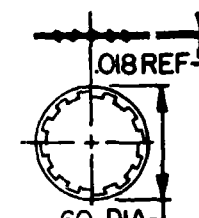
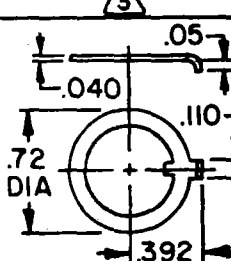
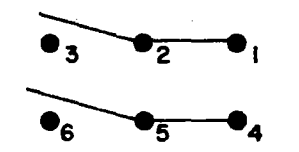
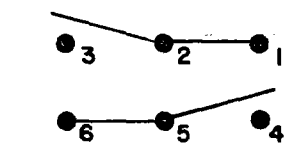
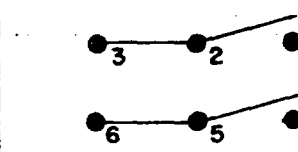
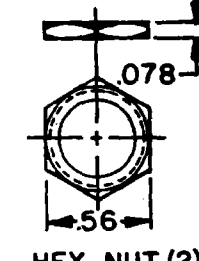
STYLE  
NUMBER

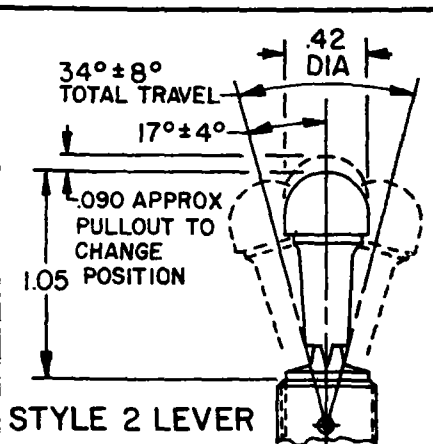
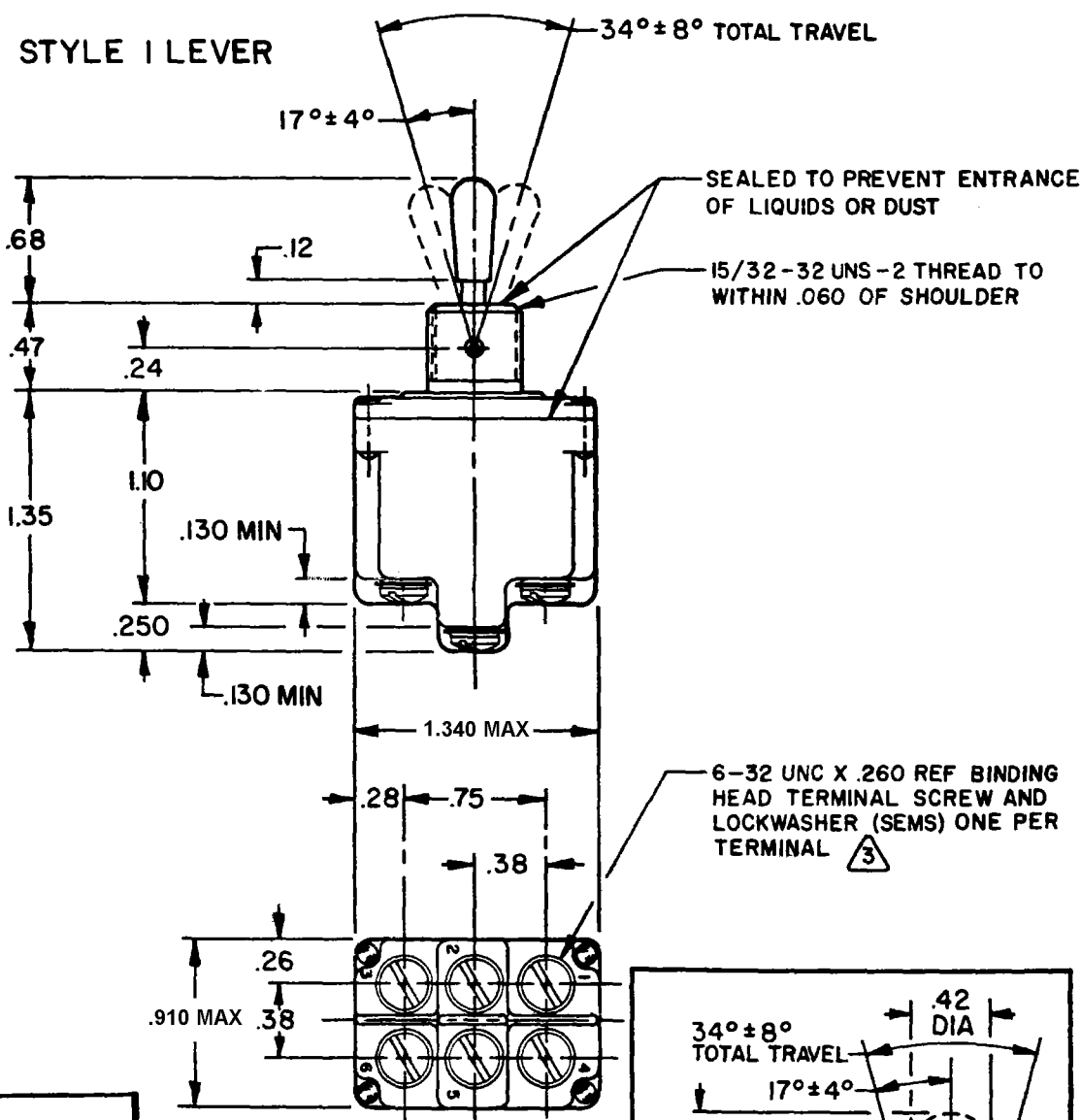
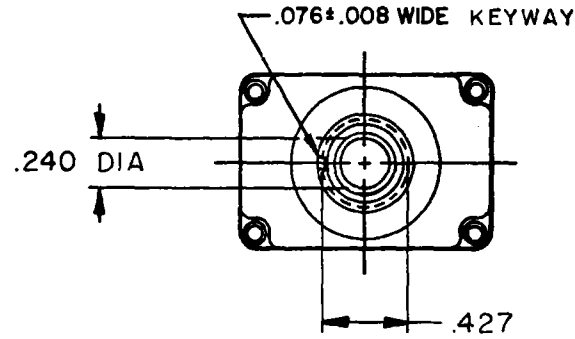
MILITARY RATING (AMPS)

| RESISTIVE LOAD |          |     | LAMP LOAD |         |        | INDUCTIVE LOAD |        |         |   |    |   |
|----------------|----------|-----|-----------|---------|--------|----------------|--------|---------|---|----|---|
| DC VOLTS       | AC VOLTS |     | 28 VDC    | 125 VAC | 28 VDC | 125 VAC        | 28 VDC | 125 VAC |   |    |   |
| 28             | 125      | 250 | 18        | .75     | .5     | 11             | 6      | 5       | 2 | 10 | 8 |

THIS DRAWING COVERS A PROPRIETARY ITEM AND IS THE PROPERTY OF MICRO SWITCH, A DIVISION OF HONEYWELL. THIS DRAWING IS NOT TO BE COPIED OR USED WITHOUT THE APPROVAL OF MICRO SWITCH.

|         |         |                  |   |
|---------|---------|------------------|---|
| 27407-5 | 2TL1-50 | NONE             | 1 |
| 27408-5 | 2TL1-50 | E, F, K, L, M, N | 2 |

|   |  |   |  |   |   |   |
|---|--|---|--|---|---|---|
| "A"<br>LOCKED IN THREE POSITIONS  | "B"<br>LOCKED IN CENTER AND EXTREME POSITION (KEYWAY SIDE)     | "D"<br>LOCKED OUT OF CENTER POSITION  | "E"<br>LOCKED IN CENTER POSITION                               | "F"<br>LOCKED IN EXTREME POSITION (OPPOSITE KEYWAY)                                   |  |   |
| "G"<br>LOCKED IN EXTREME POSITION (KEYWAY SIDE)                                       | "H"<br>LOCKED OUT OF CENTER AND EXTREME POSITION (KEYWAY SIDE) | "J"<br>LOCKED OUT OF CENTER AND EXTREME POSITION (OPPOSITE KEYWAY)                    | "K"<br>LOCKED IN CENTER AND EXTREME POSITION (OPPOSITE KEYWAY) | "L"<br>LOCKED OUT OF EXTREME POSITION (KEYWAY SIDE)                                   |   |  |
| "M"<br>LOCKED OUT OF AND INTO EXTREME POSITION (OPPOSITE KEYWAY)                      | "N"<br>LOCKED OUT OF EXTREME POSITION (OPPOSITE KEYWAY)        | "P"<br>LOCKED OUT OF AND INTO EXTREME POSITION (KEYWAY SIDE)                          |  |   |   |   |
| CIRCUIT MADE WITH TOGGLE LEVER IN   |  |   |  |   |   |   |
| KEYWAY SIDE   |  | CENTER  |  | OPPOSITE KEYWAY   |   |   |
|  |  |  |  |  |   |   |
| MOMENTARY POSITION  |  | MAINTAINED POSITION   |  | MAINTAINED POSITION   |   |   |
|   |  |   |  |   |   |   |



### NOTES

- SWITCHES ARE CAPABLE OF WITHSTANDING A TEMPERATURE OF 160°F CONTINUOUSLY AT FULL RATED LOAD
- CIRCUIT DESIGNATION, MICRO SWITCH CATALOG LISTING AND MS NUMBER MARKED ON SIDE OF SWITCH
- FURNISHED UNASSEMBLED
- FOR TERMINAL COVER SEE MICRO SWITCH CAT. LIST. 5PA8
- KEYWAY SHOWN ON LEFT SIDE
- SUFFIX LETTER MUST BE ADDED FOR DESIRED TYPE OF TOGGLE LOCKING. SEE CHART FOR AVAILABLE LOCKING COMBINATIONS
- THESE SWITCHES ARE QUALIFIED UNDER MIL-S-3950

CATALOG LISTING  
**2TL1-50 SERIES CHART 1**  
PAGE 1 OF 1

ISSUE  
**M**  
4

REVISIONS  
A CO 78047  
SAD 20 AUG 94  
B CO 94432  
CSL 23 NOV 99  
C 0003011  
KRB 05 FEB 04

CHECK  
06 FEB 04  
MDM  
05 FEB 04

CHECK  
23 JUN 04  
KAG

CHECK  
10 JUN 94  
KDR

SCALE FULL  
DO NOT SCALE PRINT  
UNLESS OTHERWISE NOTED  
DIMENSIONS ARE IN INCHES  
**TOLERANCES ARE:**  
ONE PLACE (.0) ±.030  
TWO PLACE (.00) ±.015  
THREE PLACE (.000) ±.005  
ANGLES ±.015  
WEIGHT .15 LB APPROX

10A-125,250 OR 277VAC  
1/4HP-125VAC; 1/2HP-250,277VAC  
3A-125VAC "L" CODE L192



FORMTEK  
DRAWN