

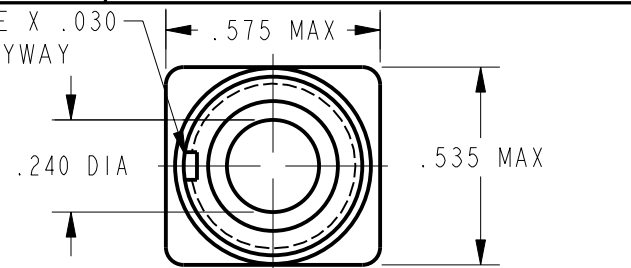
**MICRO SWITCH**  
a Honeywell Division

FED. MFG. CODE 91929

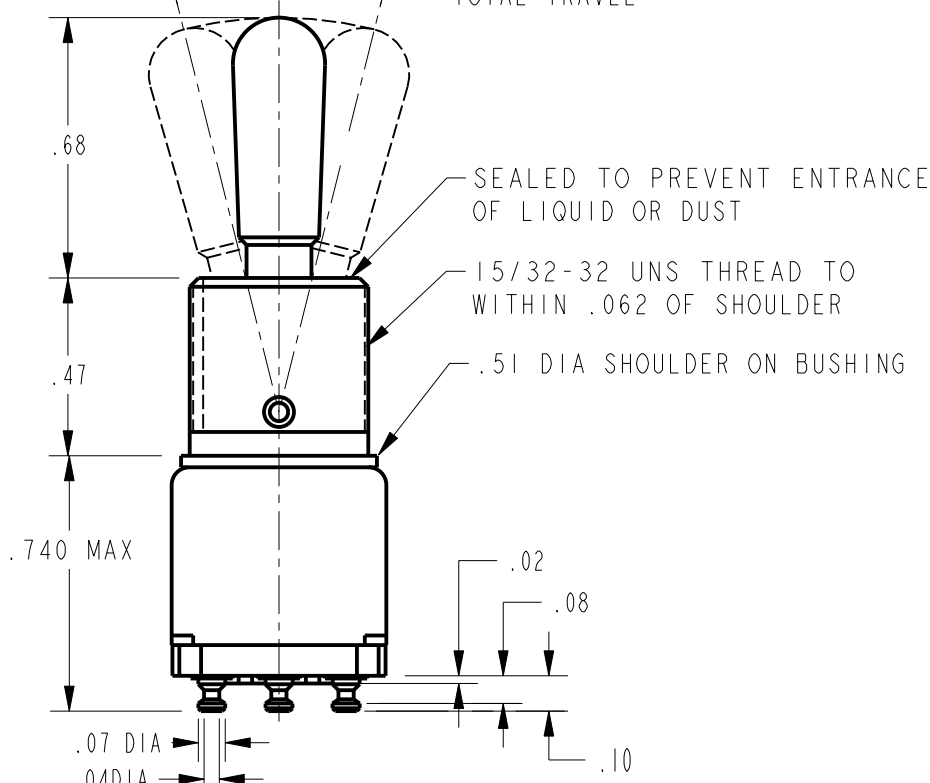
**SWITCH - TOGGLE**

CATALOG LISTING  
**12TW1 SERIES**  
**CHART 1**

.072 WIDE X .030  
DEEP KEYWAY



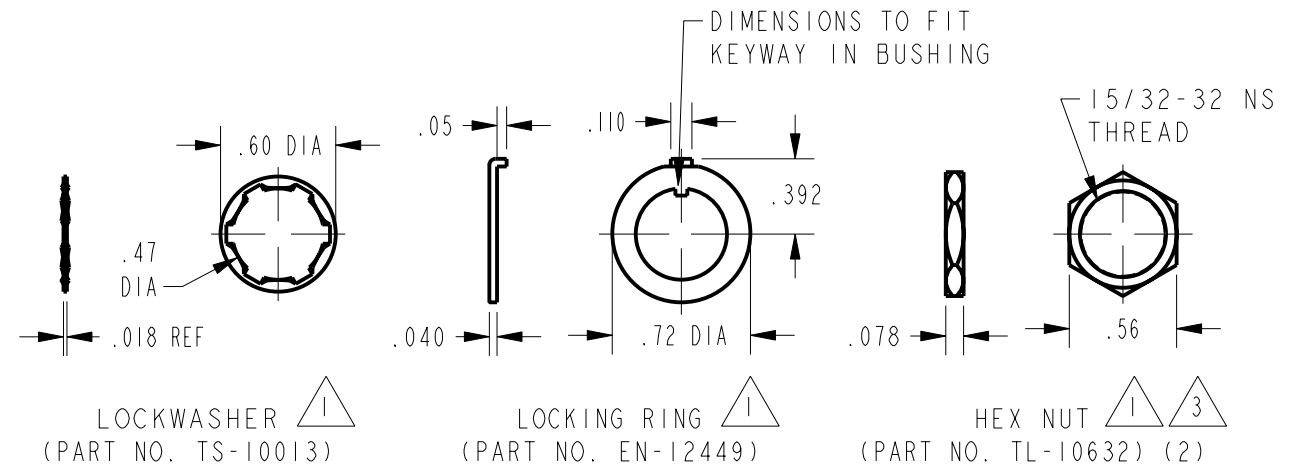
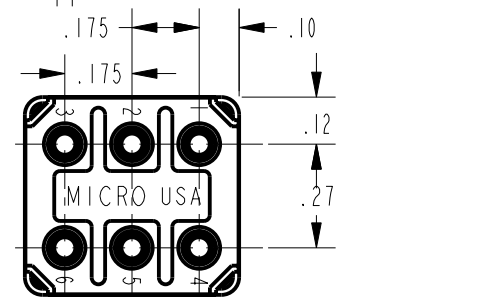
28° ± 4°  
TOTAL TRAVEL



SEALED TO PREVENT ENTRANCE  
OF LIQUID OR DUST

15/32-32 UNS THREAD TO  
WITHIN .062 OF SHOULDER

.51 DIA SHOULDER ON BUSHING

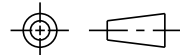


CATALOG LISTING	ONE EXTREME POSITION (KEYWAY)		CENTER POSITION		OTHER EXTREME POSITION (OPPOSITE KEYWAY)		MS NUMBER
	2-1	5-4	1-2	4-5	2-3	5-6	
12TW1-1	ON		OFF		ON		MS27719-21-1
12TW1-2	OFF		NONE		ON		MS27719-22-1
12TW1-3	ON		NONE		ON		MS27719-23-1
12TW1-5	MOM ON		OFF		ON		MS27719-31-1
12TW1-7	MOM ON		OFF		MOM ON		MS27719-27-1
12TW1-8	MOM ON		NONE		ON		MS27719-26-1
(D)	NONE		ON		ON		

NOTES  
 1 - FURNISHED UNASSEMBLED  
 2 - TERMINALS ARE PLATED FOR SOLDERING

THIS DRAWING COVERS A PROPRIETARY ITEM AND IS THE PROPERTY OF MICRO SWITCH, A DIVISION OF HONEYWELL. THIS DRAWING IS NOT TO BE COPIED OR USED WITHOUT THE APPROVAL OF MICRO SWITCH

THIRD ANGLE PROJECTION



CHARACTERISTICS

ELECTRICAL DATA

SCALE 2 : 1

CONTACT ARRANGEMENT

DO NOT SCALE PRINT

5A-125 VAC

-L117-



UNLESS OTHERWISE SPECIFIED  
TOLERANCES ARE  
 ONE PLACE (.0) ±.030  
 TWO PLACE (.00) ±.015  
 THREE PLACE (.000) ±.005  
 ANGLES ±

WEIGHT .025 LB MAX

ANSI Y14.5M-1982 APPLIES

CATALOG LISTING  
**12TW1 SERIES CHART 1**

PAGE 1 OF 1

REPLACES

RELEASE NO. PR-150

CHECK

REVISIONS

A CO 61252  
MAM  
18 MAR 87

B CO62194  
T S K  
21 AUG 87

C CO62939  
T S K  
24 FEB 88

D CO-95308  
LJK  
10 NOV 89

CHECK

10NOV99

JAF

CHECK

10NOV99

LJK

PTC/CAD 2D

REPLACES

RELEASE NO. PR-150

CHECK

REVISIONS

A CO 61252

MAM  
18 MAR 87

B CO62194

T S K  
21 AUG 87

C CO62939

T S K  
24 FEB 88

D CO-95308

LJK  
10 NOV 89

CHECK

10NOV99

JAF

CHECK

10NOV99

LJK

PTC/CAD 2D