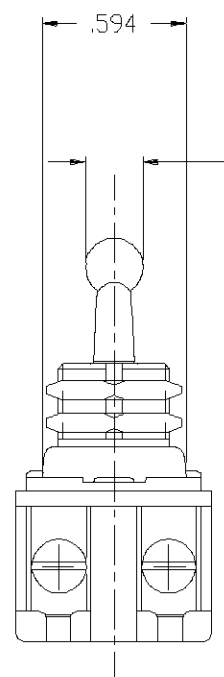
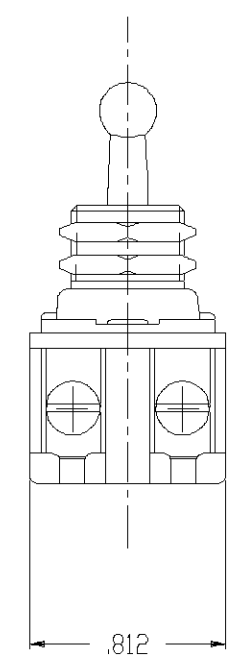
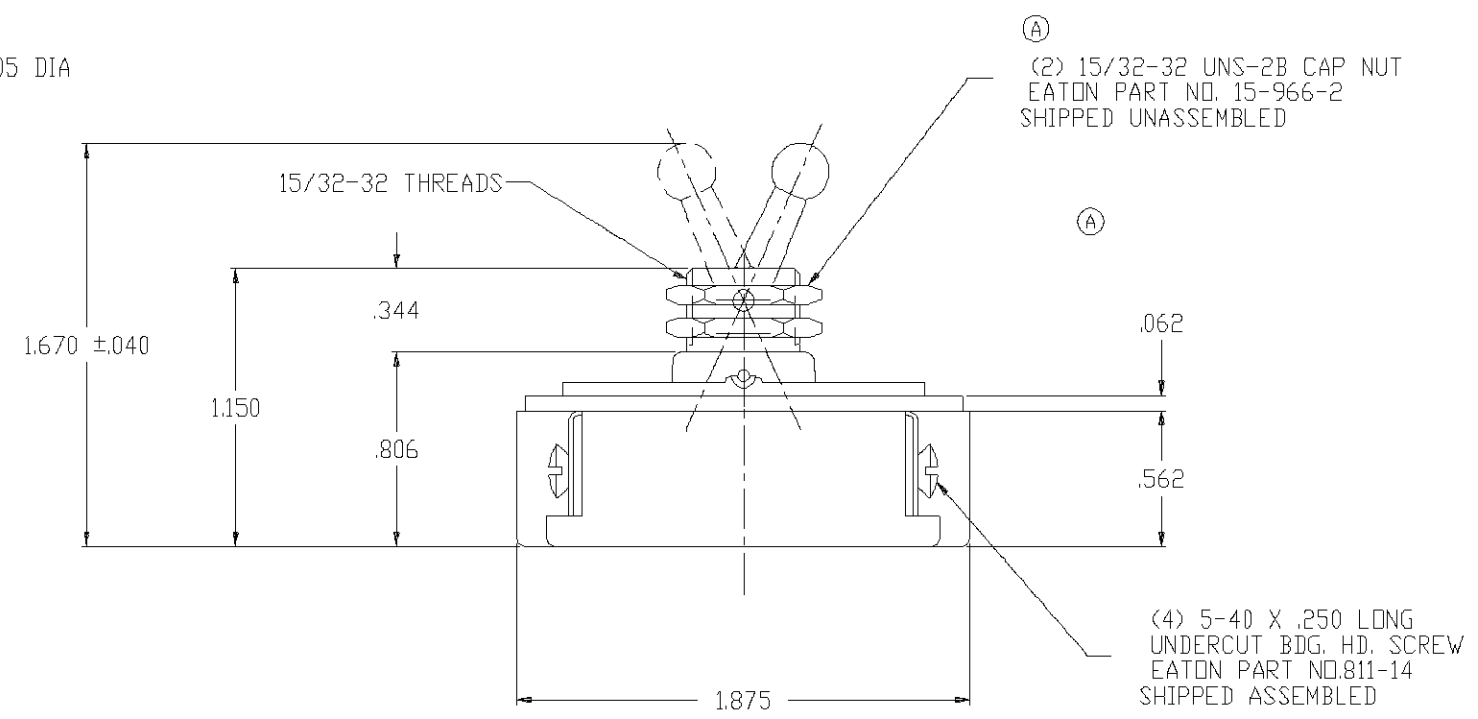


.068 $\begin{matrix} +.003 \\ -.004 \end{matrix}$ X .038 DEEP KEYWAY

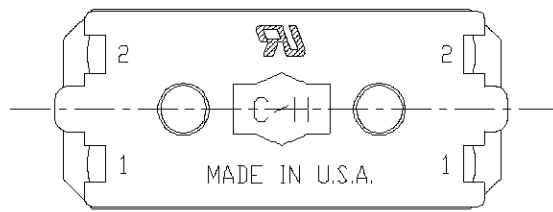
NOTE:
1. UNLESS OTHERWISE SPECIFIED ALL TOLERANCES TO BE ± 0.016 .



.240 ± 0.005 DIA

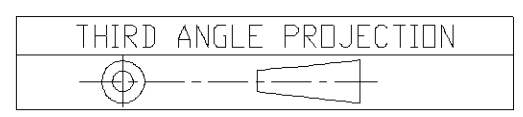


.812



ORDER NO. 93719950

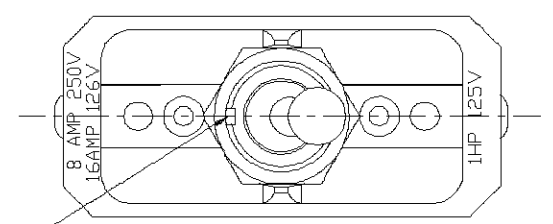
A	REMOVED 15-192 NUT NOTE, ADDED *(2)* TO 15-966-2 NUT NOTE.	6/29/94	D
B			E
C			F



TITLE: DOUBLE POLE 8A 250V/16A 125V ONE HOLE MTD. TOOL HANDLE TOGGLE SWITCH			
DR.	W. LEONARD	1/16/92	SURFACE COATING
CHK.	WESTEMEIER	1/22/92	SCALE
APP.	M.R. DUMMER	1/22/92	DO NOT SCALE DRAWING
		FIRST ASSEM. WHERE LISTED 7320K12	
		SUP'S	
		SUP'D BY	

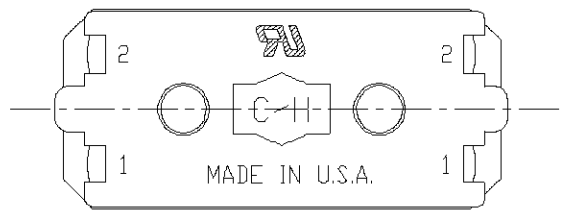
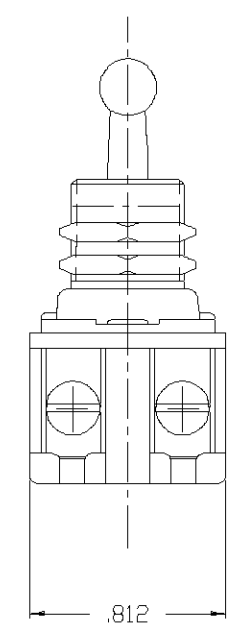
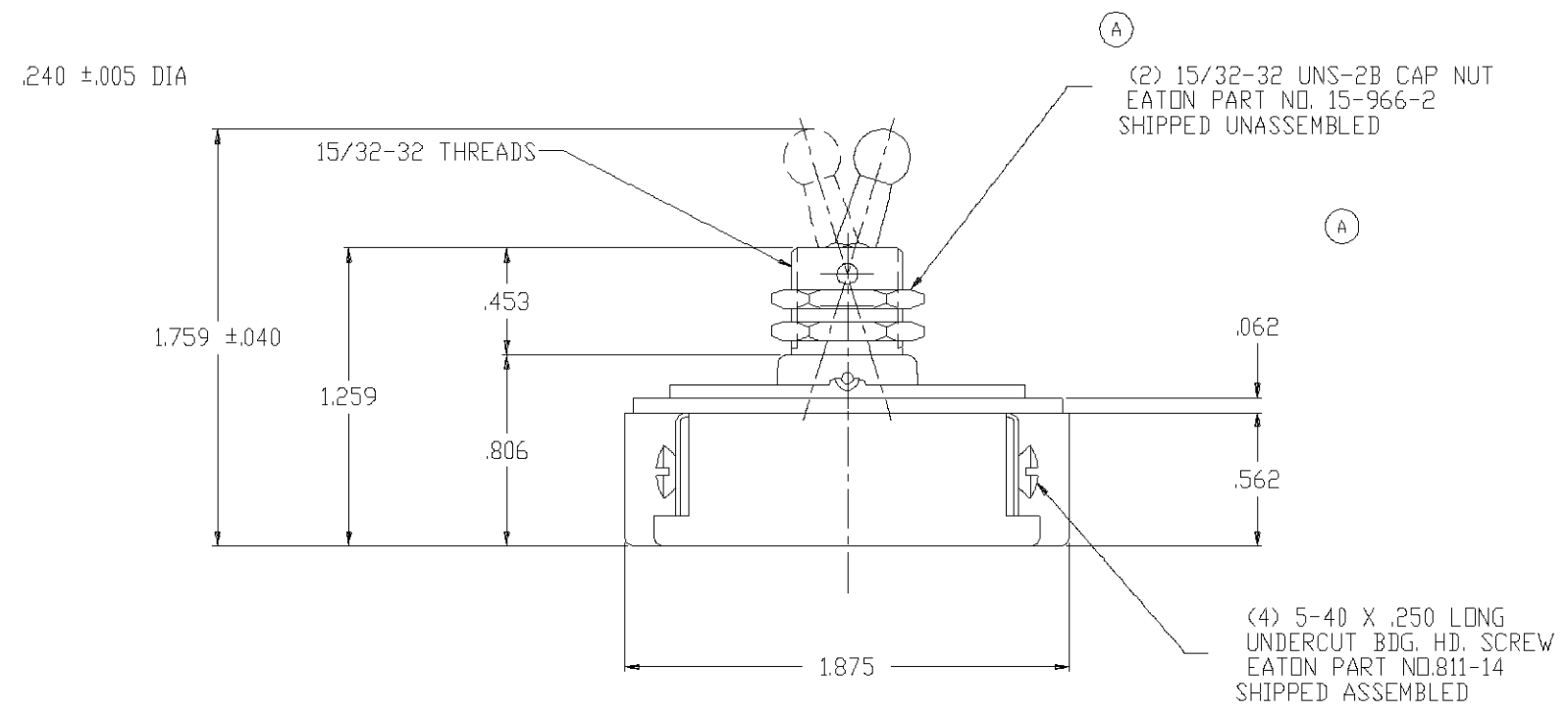
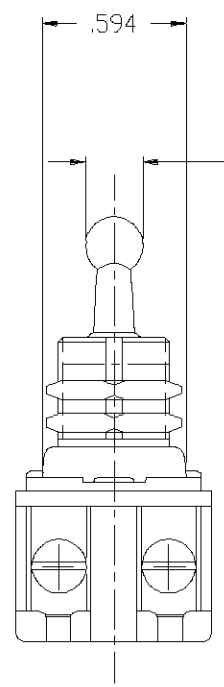
B

91-284



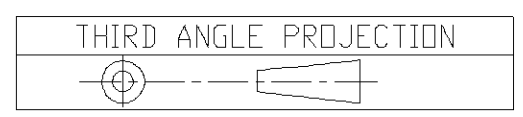
.068 $\begin{matrix} +.003 \\ -.004 \end{matrix}$ X .038 DEEP KEYWAY

NOTE:
1. UNLESS OTHERWISE SPECIFIED ALL TOLERANCES TO BE ± 0.016 .



ORDER NO. 93719950

A	REMOVED 15-192 NUT NOTE, ADDED *(2)* TO 15-966-2 NUT NOTE.	6/29/94	D
B		93719990	E
C			F



TITLE: DOUBLE POLE 8A 250V/16A 125V ONE HOLE MTD. TOOL HANDLE TOGGLE SWITCH			
DR.	W. LEONARD	1/16/92	SURFACE COATING FIRST ASSEM. WHERE LISTED 7320K13
CHK.	WESTEMEIER	1/22/92	SCALE SUP'S
APP.	M.R. DUMMER	1/22/92	DO NOT SCALE DRAWING SUP'D BY