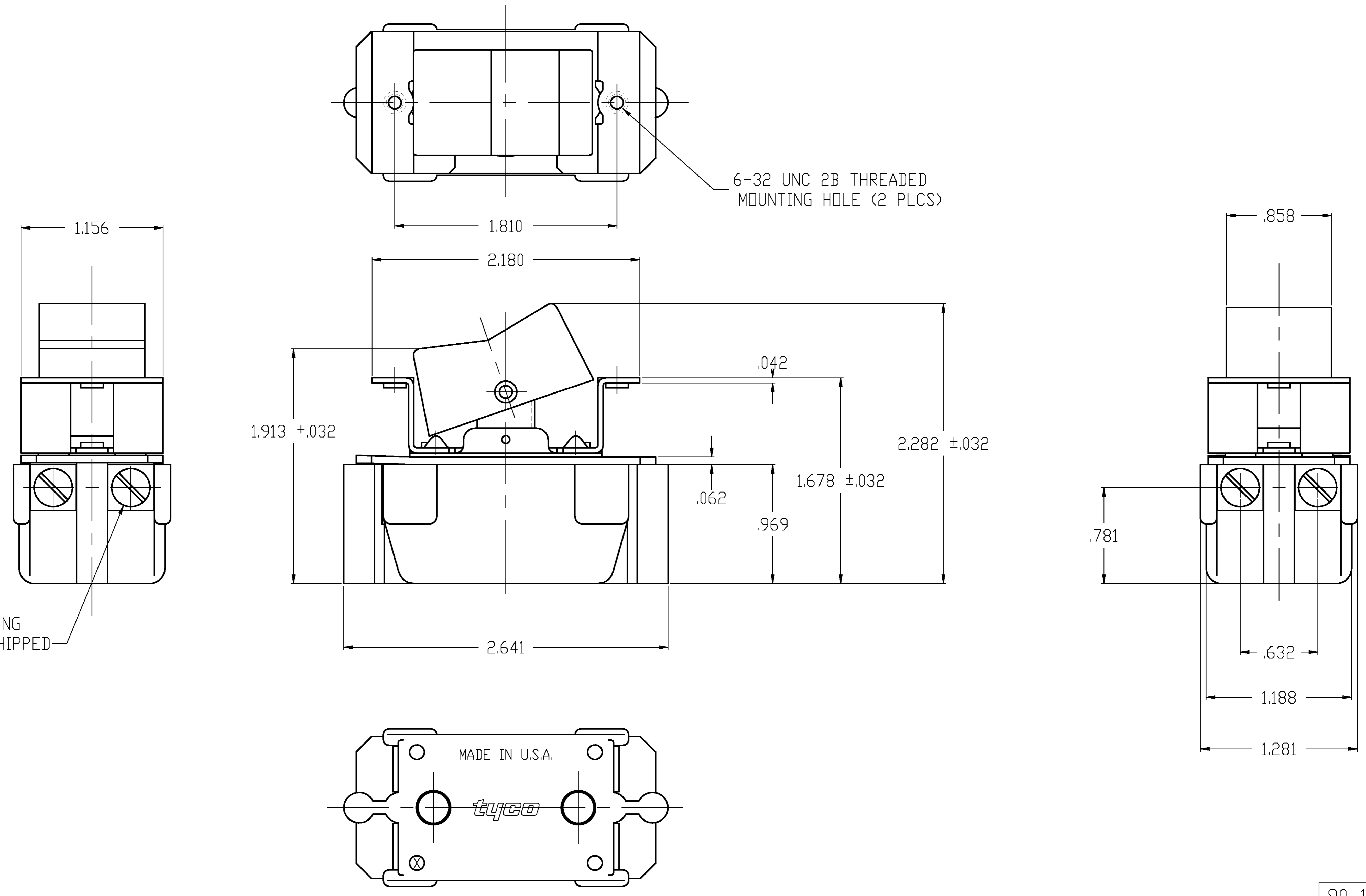


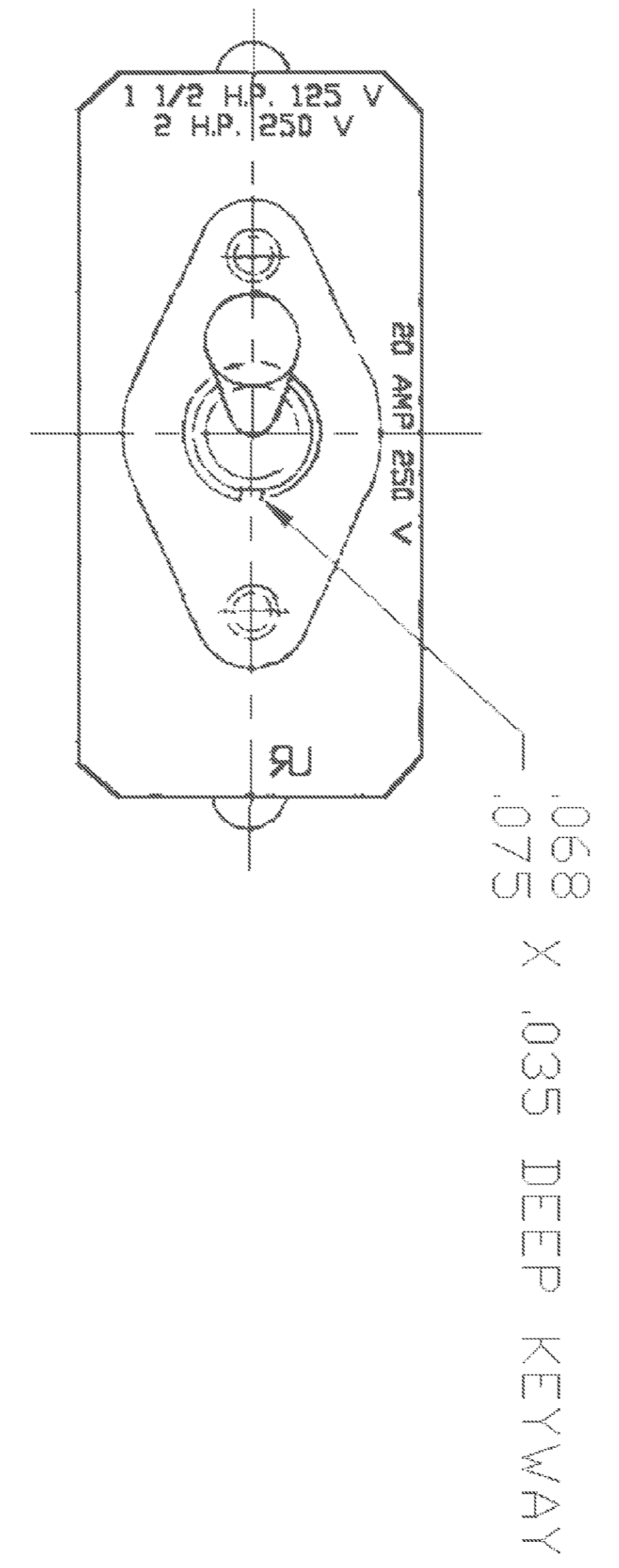
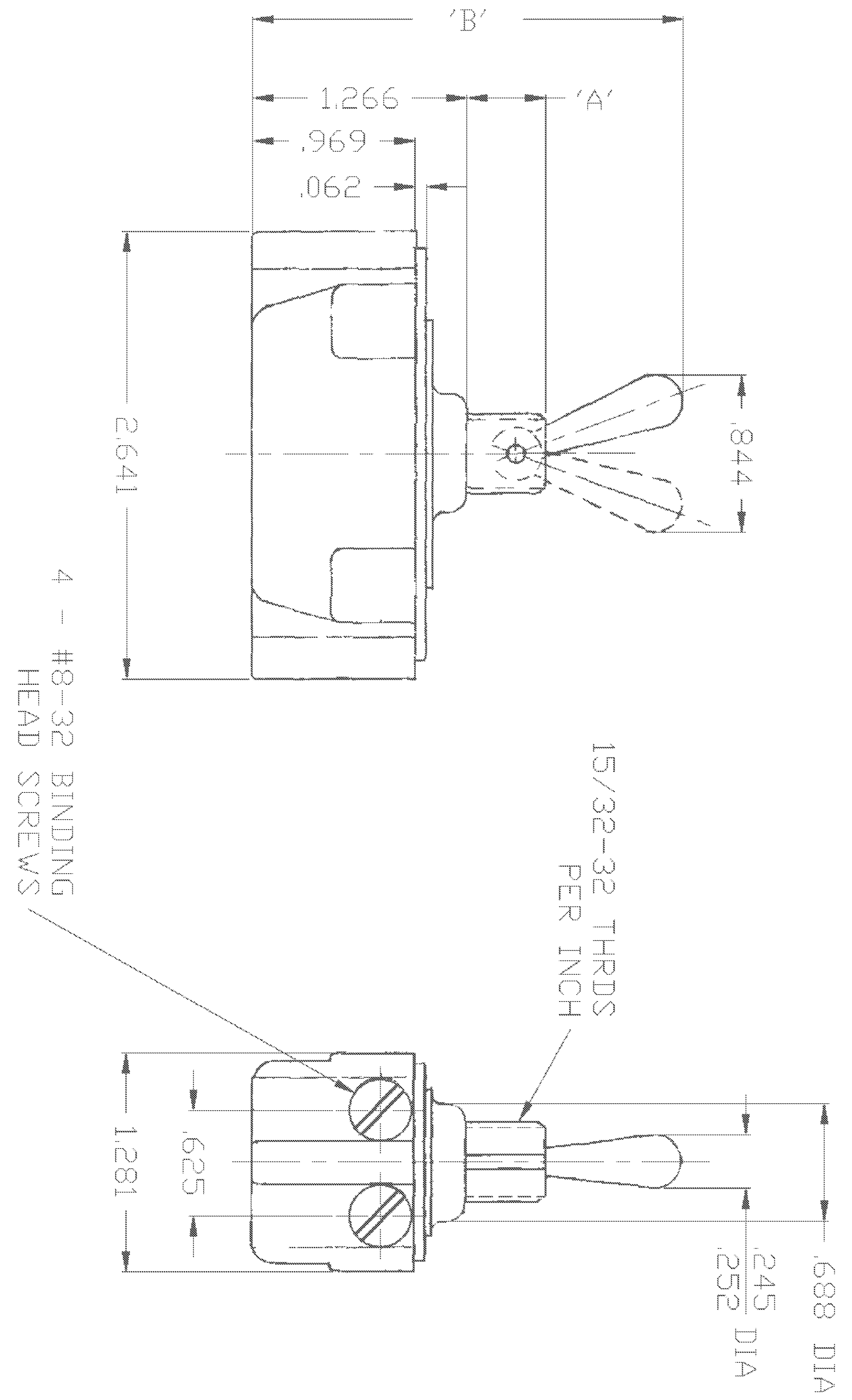
LOG		DIST		REVISIONS			
AD	00	P	LTR	DESCRIPTION	DATE	DWN	APVD
B				ECOG3G-0178-02	27JUN02	WL	HM



TYCO NO. 1520230-6
 (ARAB NO. 8909K500)

90-15569

THIS DRAWING IS A CONTROLLED DOCUMENT.		DWN WESTEMEIER 01AUG00	Tyco Electronics Corporation	
DIMENSIONS: INCHES		OK R. WALLEN 02AUG00	Arab, AL 35016	
TOLERANCES UNLESS OTHERWISE SPECIFIED:		APVD R. WALLEN 02AUG00	NAME	
0 PLC ± -		PRODUCT SPEC	20A 250V PANEL MOUNT ROCKER SWITCH	
1 PLC ± -		APPLICATION SPEC	TYCO NO. 1520230-6	
2 PLC ± -			(ARAB NO. 8909K500)	
3 PLC ± .016			SIZE	A1
4 PLC ± -			CAGE CODE	00779
ANGLES ± -			DRAWING NO	1520230
FINISH		RESTRICTED TO	SCALE	1:1
MATERIAL		CUSTOMER DRAWING	SHEET	1 OF 2
			REV	B



2-1520230-2	7402K4 T-PAK	.469	2.547
2-1520230-1	7402K3 T-PAK	.344	2.422
2-1520230-3	8909K27	.469	2.547
1520230-9	8910K202	.469	2.547
1520230-8	8910K165	.469	2.547
1520230-5	8909K4	.469	2.547
1520230-4	7403K2	.469	2.547
1520230-3	7403K1	.344	2.422
1520230-2	7402K4	.469	2.547
1520230-1	7402K3	.344	2.422
TYCO NO.	ARAB NO.	DIM 'A'	DIM 'B'
			90-347

THIS DRAWING IS A CONTROLLED DOCUMENT.

DIMENSIONS:	TOLERANCES UNLESS OTHERWISE SPECIFIED:	DWG: F.R. LEONARD	19SEP40	Tyco Electronics Corporation
INCHES	0 PLC ± .005	CHK: J. RACH	040CT40	Arab, AL 35016
	1 PLC ± .005	APPD: G.J.	050CT40	
	2 PLC ± .005	NAME:		
	3 PLC ± .005	PRODUCT SPEC:		20A 250VAC TOGGLE SWITCH
	4 PLC ± .005	APPLICATION SPEC:		
	ANGLES ± .005	SIZE: A1	00779	1520230
MATERIAL:	FINISH:	WEIGHT:		RESTRICTED TO:
		CUSTOMER DRAWING		SCALE: N.T.S. SHEET 2 OF 2 REV B