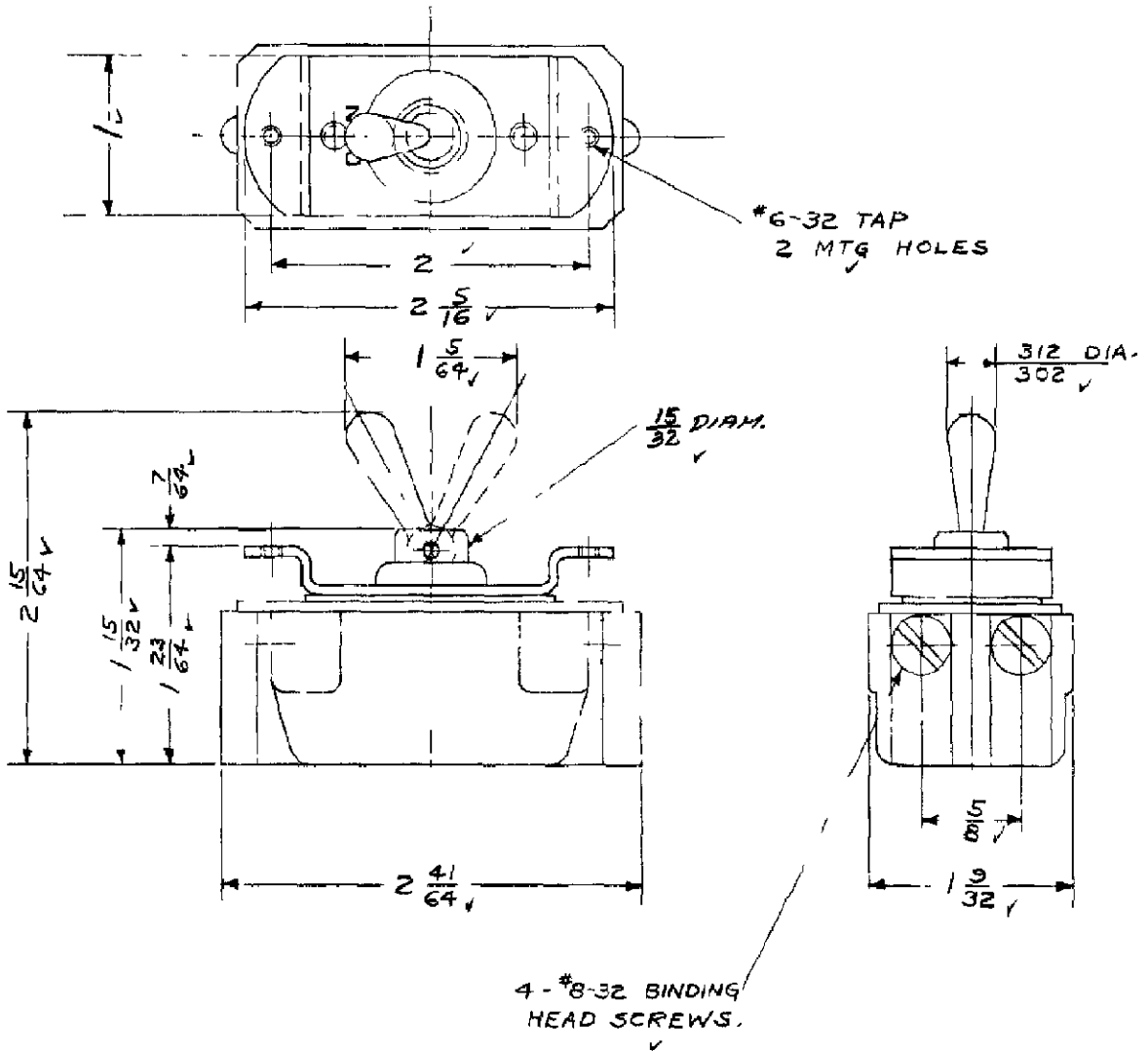


A 90-348

RAW MAT SPEC WITH
PART NO. AND AMOUNT REQ'D.



BULLETIN

DIMENSIONS FOR 20 AMP, 250V, 3 HOLE MTG. TOOL HANDLE SWITCH

A	2 7/16 DIA. WAS 1 15/32 DIA.	J.H.M. 3076 10-2-45 UNK	DR E. P. Leonard 7/20/40	FIRST ASSEM. WHERE LISTED D 90-342
B	15/32 WAS 2 7/16 DIA.	DEV. 3140-102158 J.H.M. 3076 10-2-45 UNK	CHK. J. Raeh 10/4/40	SUP. S. NON-INTERCHANGEABLE
C		DEV. 3140-102237	APP. Geo. J. J. J. 10/5/40	SUP. D BY NON-INTERCHANGEABLE
D			DO NOT SCALE DRAWING. WORK ACCORDING TO DIMENSIONS.	SURFACE COATING
E			STANDARD TOLERANCES 80-875 APPLY TO DIMENSIONS FOR WHICH TOLERANCES ARE NOT SPECIFIED.	SCALE 1" = 1"
F			ORDER NO. DEV. 4041-10	A 90-348

CUTLER-HAMMER, INC. MILWAUKEE NEW YORK

FORM 4 IMPROVED NO. N 16315 CLOTH NOV 7 1940 SCHILLER