

NOTES:

1. METRIC DIMS SHOWN IN ().
2. MOUNTING HARDWARE TO BE SHIPPED UNASSEMBLED.

THIS DOCUMENT IS THE PROPERTY OF EATON CORP. IT'S CONTENTS ARE PROPRIETARY AND CONFIDENTIAL AND SHALL NOT BE DISCLOSED TO ANY UNAUTHORIZED PERSON, COPIED OR PUBLISHED WITHOUT EATON'S PRIOR WRITTEN CONSENT.

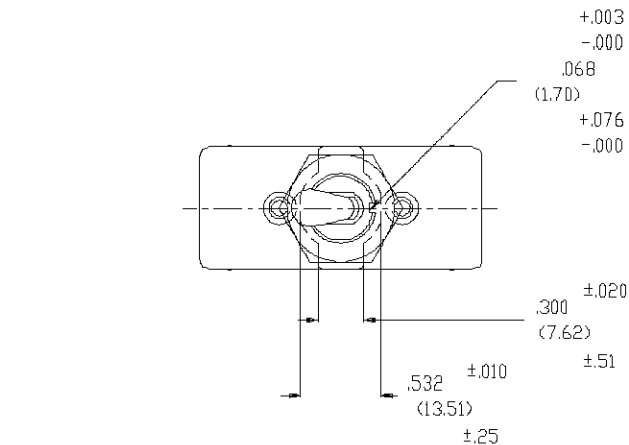


TITLE		DIMS FOR DOUBLE INSULATED TOOL HANDLE SWITCH FOR EUROPEAN USE	
ORDER NO.	702A575014	BASIC SPECS. SUMMARY	
A2	REDRAWN ON CAD. REMOVED BOTTOM VIEW.	TC	DR.
	ECN01229603	93719990 1/22/96	MICHAEL WHITED 1/8/76
	ECN		APP. RICHARD SAWS
	ECN		CHK. J. SMITH 1/14/76
	ECN		ECN01229603
EATON			

90-6358

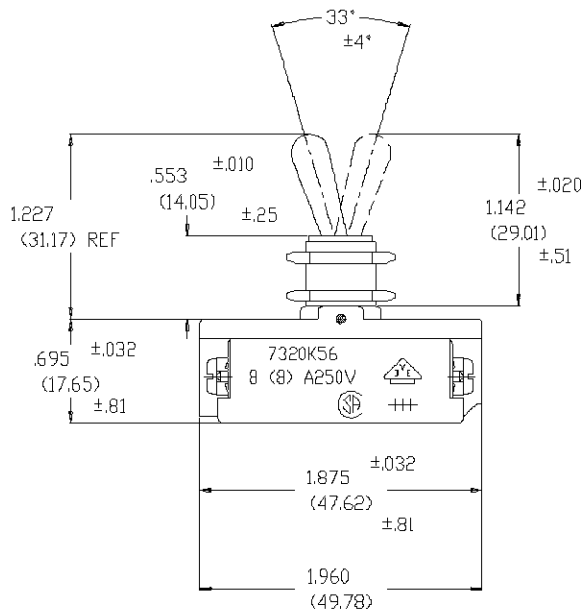
B

91-611

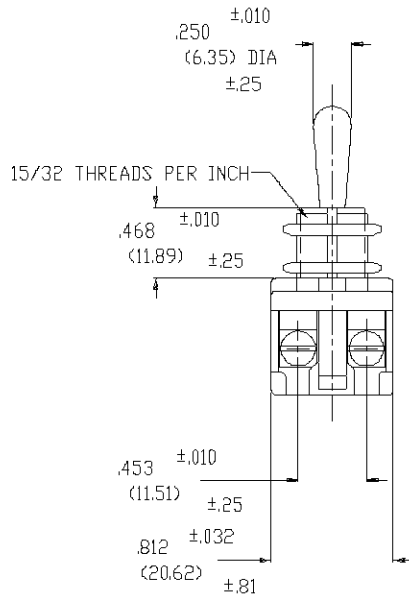


NOTES:

1. MOUNTING HARDWARE TO BE SHIPPED UNASSEMBLED.



MAX OVER SPRUE



INCH
(MILLIMETERS)

THIS DOCUMENT IS THE PROPERTY OF EATON CORP. IT'S CONTENTS ARE PROPRIETARY AND CONFIDENTIAL AND SHALL NOT BE DISCLOSED TO ANY UNAUTHORIZED PERSON, COPIED OR PUBLISHED WITHOUT EATON'S PRIOR WRITTEN CONSENT.



TITLE: DIM DWG DOUBLE INSULATED TOOL HANDLE SWITCH - 7320K56		
DR. 2/22/96	SURFACE COATING	ECN02089605
DHK.	SCALE	SUP'S
APP.	DO NOT SCALE DRAWING	SUP'D BY

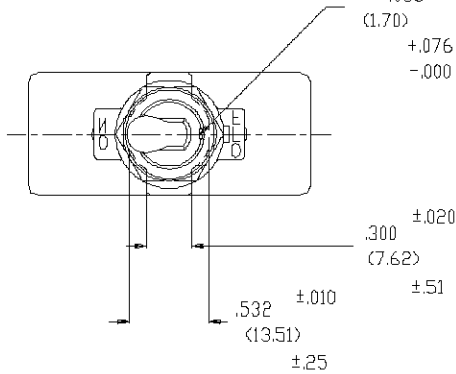
ORDER NO. 93719990

A	ECN		ECN				
	ECN		ECN				
	ECN		ECN				

B

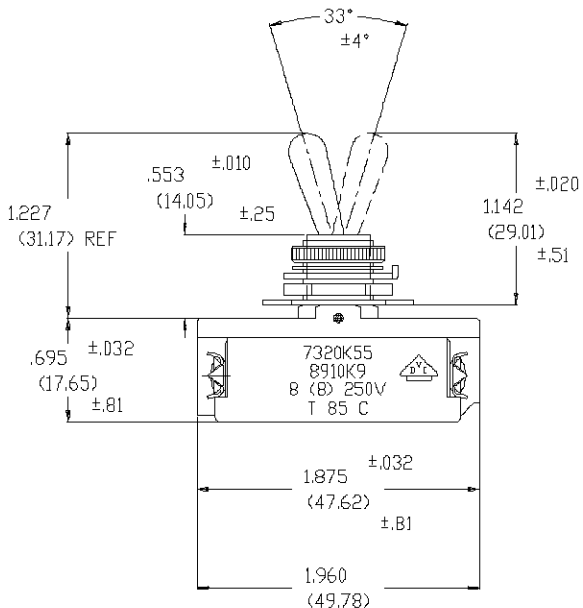
91-614

+0.003
-0.000
.068 WIDE X .039 ±.005 DEEP KEYWAY

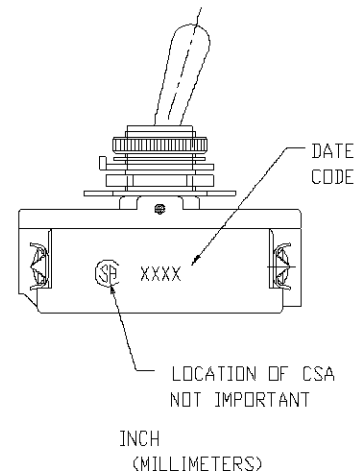
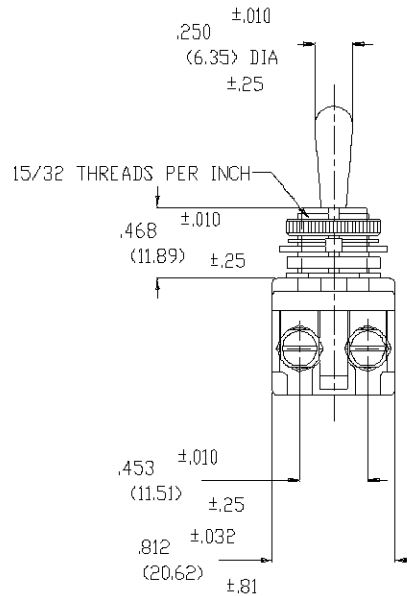


NOTES:

1. MOUNTING HARDWARE TO BE SHIPPED UNASSEMBLED.



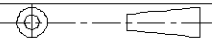
MAX OVER SPRUE



THIS DOCUMENT IS THE PROPERTY OF EATON CORP. IT'S CONTENTS ARE PROPRIETARY AND CONFIDENTIAL AND SHALL NOT BE DISCLOSED TO ANY UNAUTHORIZED PERSON, COPIED OR PUBLISHED WITHOUT EATON'S PRIOR WRITTEN CONSENT.

ORDER NO. 93719990

THIRD ANGLE PROJECTION



TITLE:		DIM DWG DOUBLE INSULATED TOOL HANDLE SWITCH - 8910K9	
DR.	2/22/96	SURFACE COATING	ECN02089605
CHK.		SCALE	SUP'S
APP.		DO NOT SCALE DRAWING	SUP'D BY