

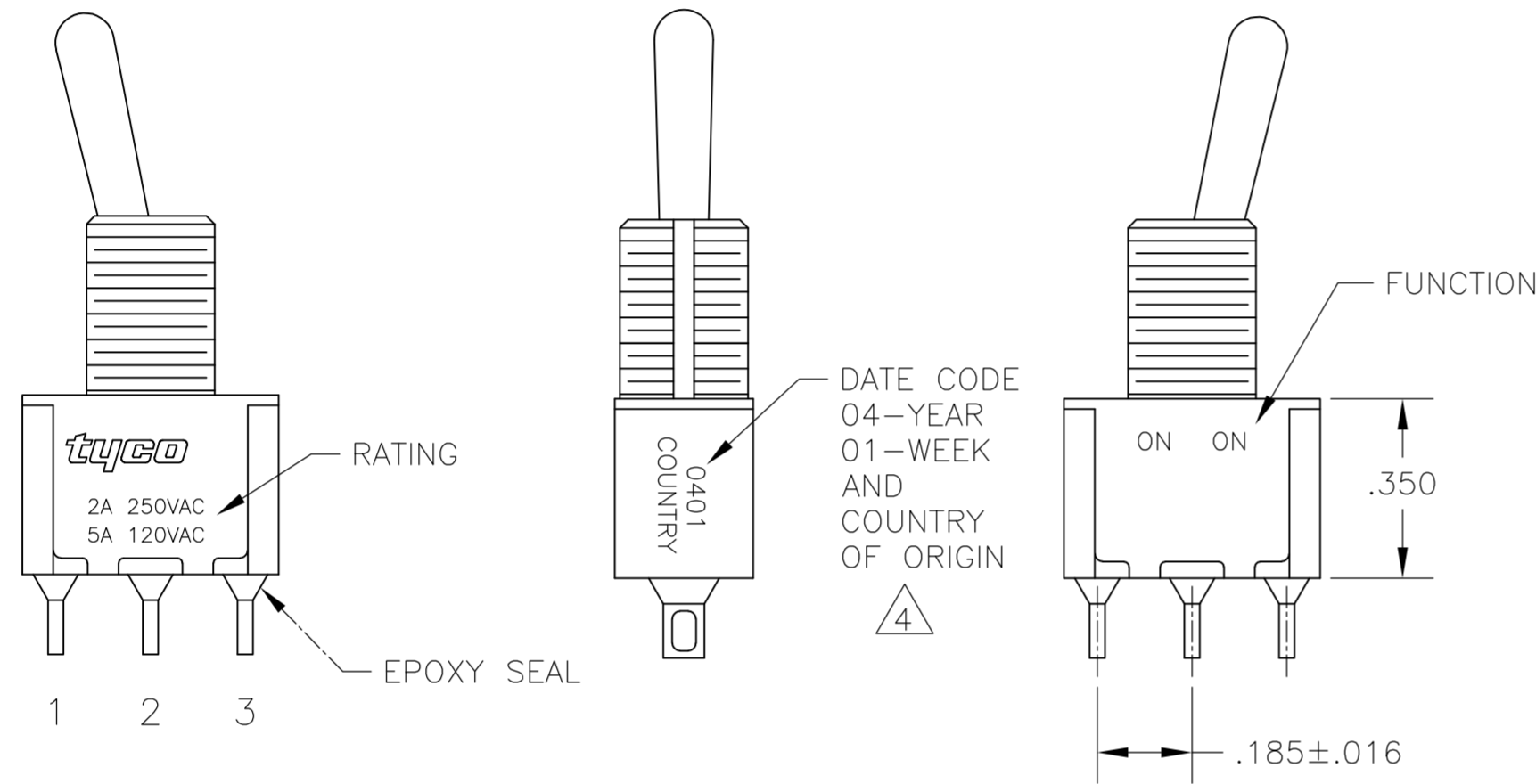
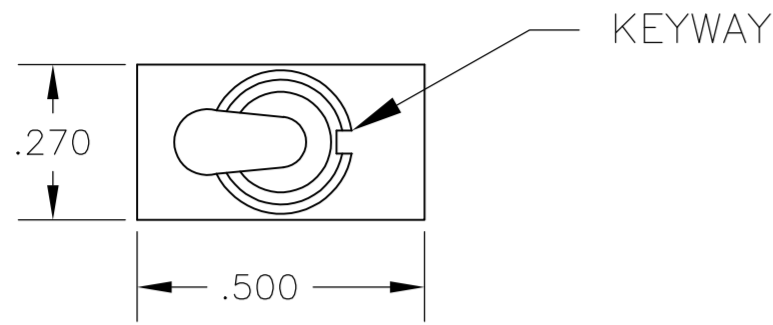
THIS DRAWING IS UNPUBLISHED. RELEASED FOR PUBLICATION
 © COPYRIGHT BY TYCO ELECTRONICS CORPORATION. ALL RIGHTS RESERVED.

LOC		DIST		REVISIONS			
P	LTR	DESCRIPTION		DATE	DWN	APVD	
	A1	ECO-06-10851		13NOV07	MB	MW	

NOTES:

- ALL MATERIALS AND FINISHES SHALL COMPLY WITH EU DIRECTIVE 2002/95/EC OF 27JAN2003 (ROHS).
- EACH SWITCH WITH THREADED BUSHINGS SUPPLIED WITH THE FOLLOWING MOUNTING HARDWARE:
 (2) HEX NUTS
 (1) INTERNAL TOOTH LOCKWASHER
 (1) LOCATING RING
- G CONTACT OPTION CAN BE USED FOR SIGNAL OR POWER LEVEL SWITCHING. IF SWITCH IS USED AT LEVELS EXCEEDING .4VA @ 20V AC/DC, SWITCH IS RENDERED FOR POWER SWITCHING ONLY DUE TO ARC REMOVAL OF GOLD PLATING. RATING STAMPED ON FRAME IS 2A 250VAC, 5A 120VAC.

- DATE CODE AND COUNTRY OF ORIGIN MAY APPEAR ON EITHER SIDE OF SWITCH.
- LENGTH OF TOGGLE REDUCED BY .020 WITH A, AV2, V30 OR V40 VERTICAL SUPPORT BRACKET OPTIONS.



FUNCTION CHART			
FUNCTION	1 2 3	1 2 3	1 2 3
03	ON	OFF	ON
05	(ON)	OFF	(ON)
07	ON	OFF	(ON)
TERMINALS CONNECTED	2-3	---	1-2

None: No mechanical position
 Off: Mechanical position with no electrical connection
 (On): Momentary action

SPECIFICATIONS CHART	
RATING, B CONTACTS	.4VA MAX @20V MAX. AC OR DC
RATING, G CONTACTS—SEE NOTE 3	.4VA MAX @20V MAX. AC OR DC OR 5A @120 VAC OR 28 VDC (RESISTIVE)
	2A @250 VAC (RESISTIVE)
RATING, Q CONTACTS	5A @120 VAC OR 28 VDC (RESISTIVE)
	2A @250 VAC (RESISTIVE)
ELECTRICAL LIFE	6,000 CYCLES AT RATED LOAD
CONTACT RESISTANCE	10 MILLIOHMS MAX INITIAL @ 2-4VDC, 100ma
INSULATION RESISTANCE	1,000 MEGOHMS MIN
DIELECTRIC WITHSTANDING VOLTAGE	1,000 V RMS AT SEA LEVEL
OPERATING TEMPRATURE	-30C TO 85C

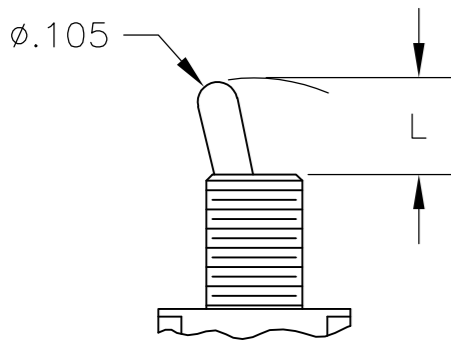
PART NUMBER SEQUENCE CHART						
MODEL	FUNCTION	TOGGLE	BUSHING	TERMINAL	CONTACT	RoHS
A1	03	K	CW	A	B	04
	05	K1	D	AV2	G	
	07	L	D9	C	Q	
		L1	H	V30		
		L2	Y	V40		
		M	Y9	W		
		P3		W4		
		S		Z		
		T		Z3		
		T1				

EXAMPLE: A103SYCQ04

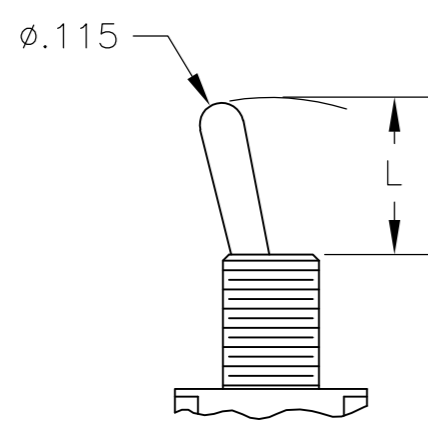
THIS DRAWING IS A CONTROLLED DOCUMENT.		DWN M. ZITTO 18MAY05	Tyco Electronics Corporation Harrisburg, Pa 17105-3608	
DIMENSIONS: INCHES		CHK M. ZITTO	NAME	
TOLERANCES UNLESS OTHERWISE SPECIFIED:		APVD M. ZITTO	PRODUCT SPEC	
0 PLC ± -		APPLICATION SPEC		
1 PLC ± -		SIZE		
2 PLC ± -		CAGE CODE		
3 PLC ± .010		DRAWING NO		
4 PLC ± -		RESTRICTED TO		
ANGLES ± 2'		SCALE		
FINISH		SHEET		
MATERIAL		REV		
		CUSTOMER DRAWING		

THIS DRAWING IS UNPUBLISHED. RELEASED FOR PUBLICATION
 © COPYRIGHT BY TYCO ELECTRONICS CORPORATION. ALL RIGHTS RESERVED.

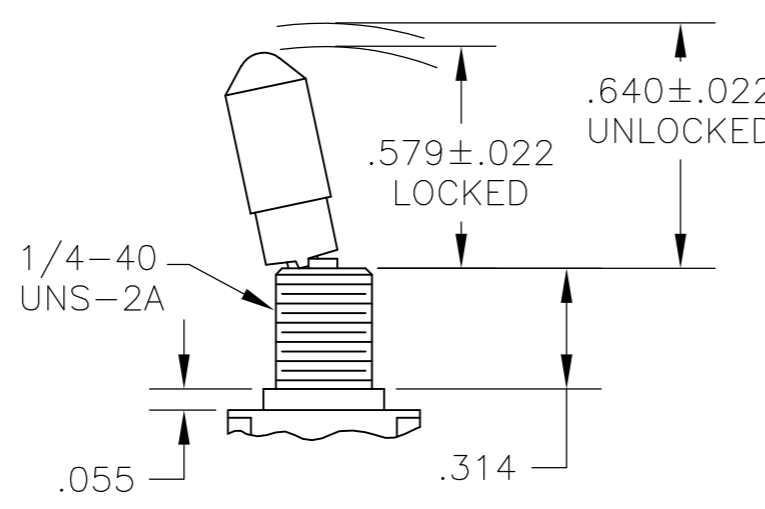
TOGGLES



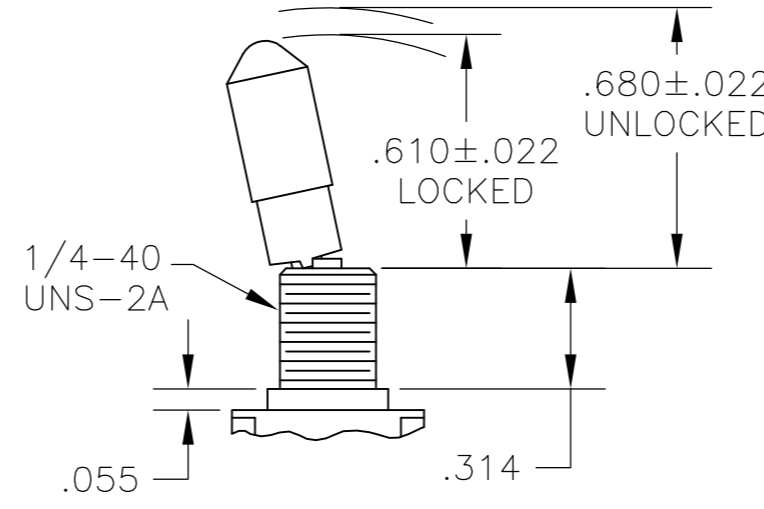
M SHORT



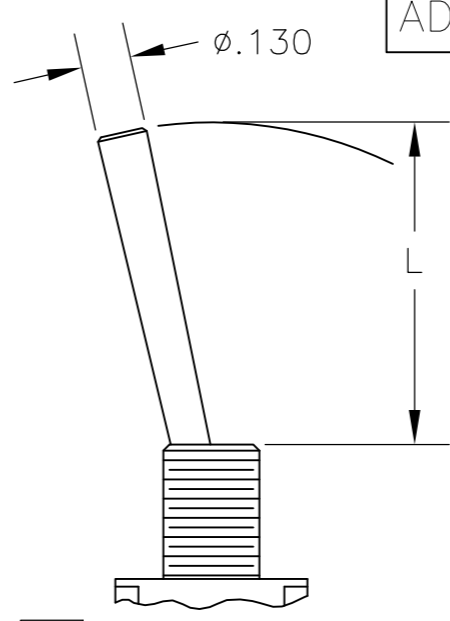
S STANDARD



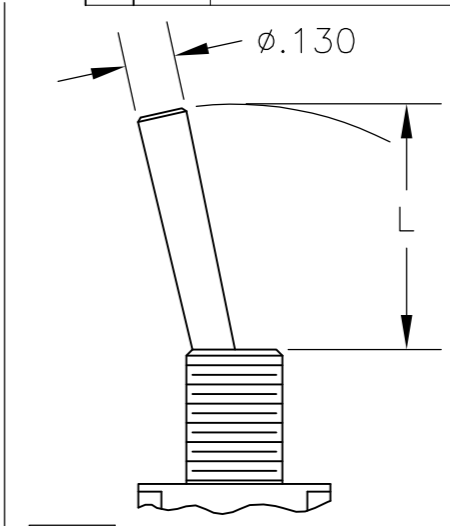
K NO BUSHING OPTION NEEDED



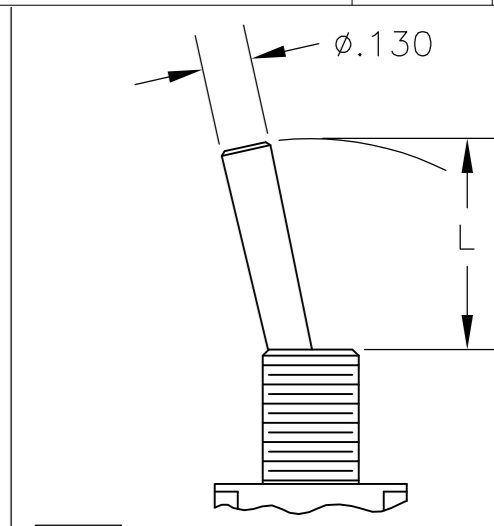
K1 NO BUSHING OPTION NEEDED



L LEVER



L1 LEVER



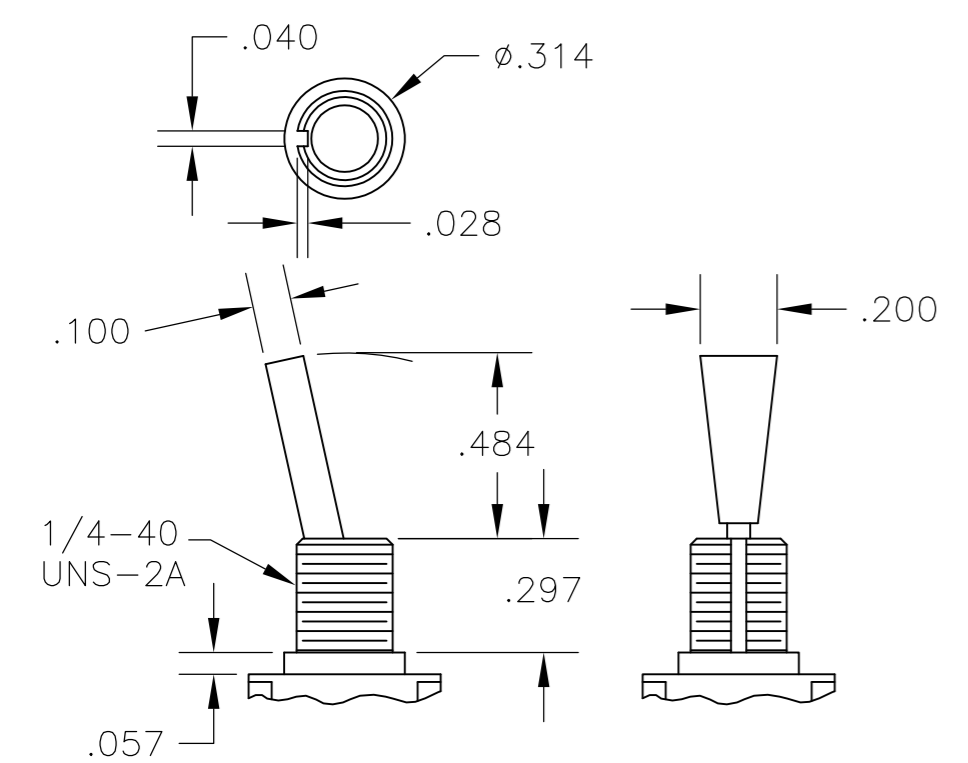
L2 LEVER

DIM L	BUSHING TYPE	DIM L	BUSHING TYPE
.200	Y, H	.410	Y, H
.270	D, D9	.480	D, D9

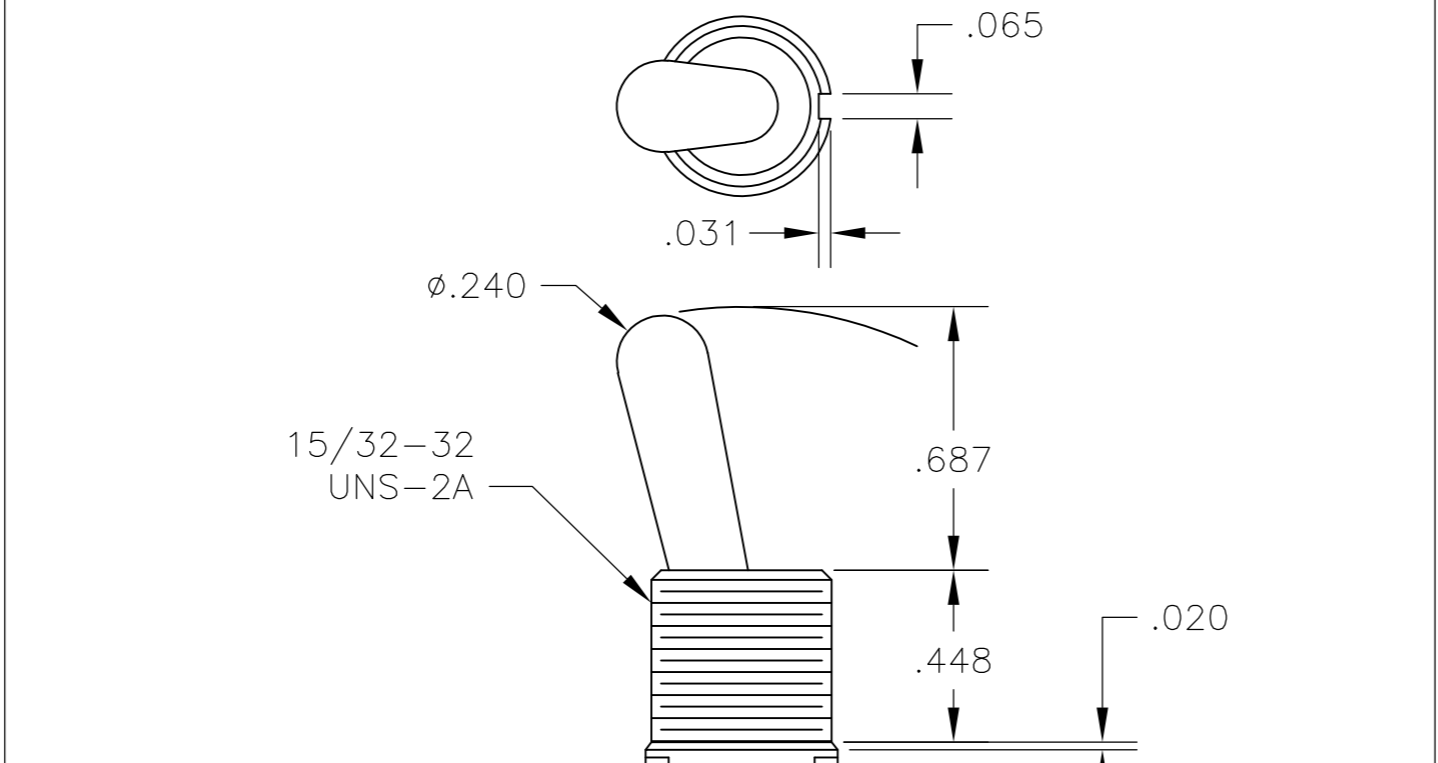
DIM L	BUSHING TYPE	DIM L	BUSHING TYPE	DIM L	BUSHING TYPE
.840	Y, H	.640	Y, H	.550	Y, H
.910	D, D9	.710	D, D9	.620	D, D9

REVISIONS				DATE	DWN	APVD
P	LTR	DESCRIPTION				
-	-	SEE SHEET 1	-	-	-	-

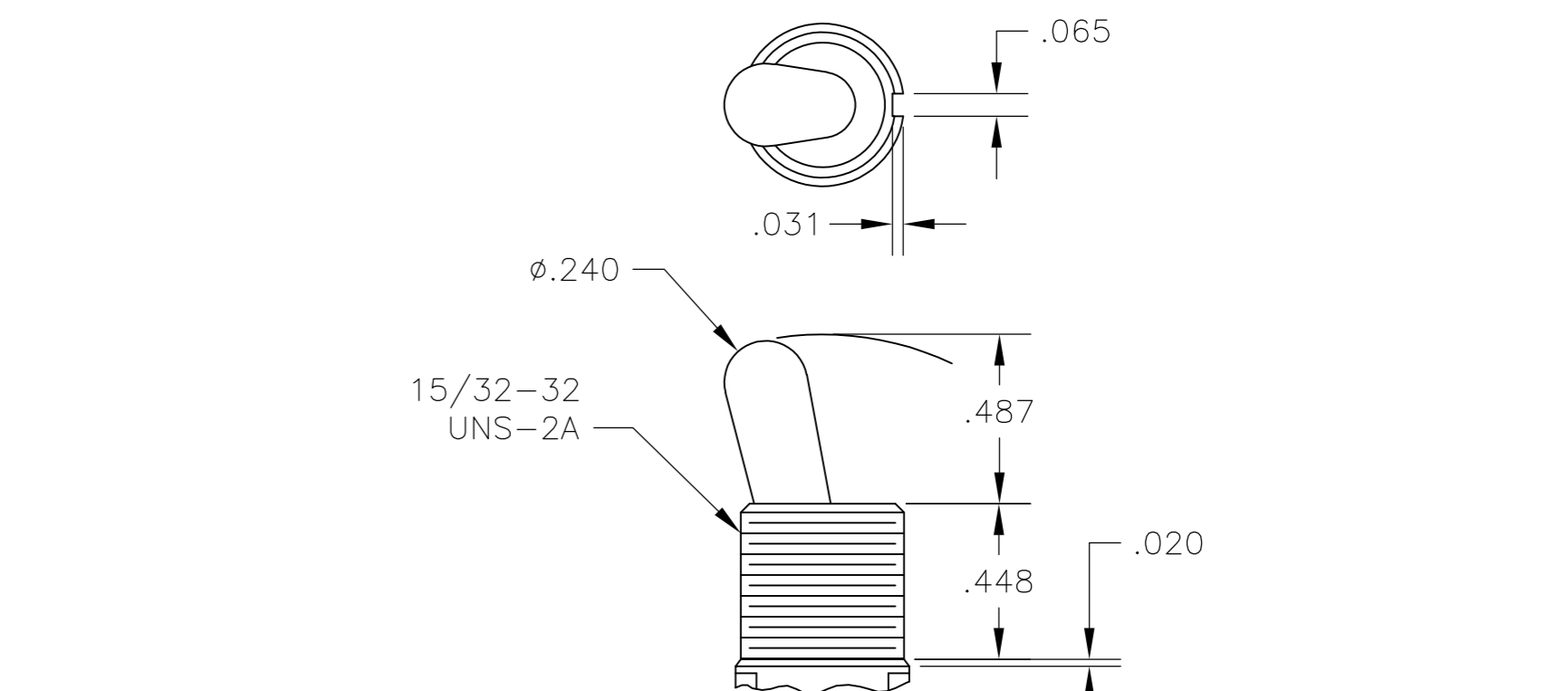
LOC AD
DIST 00



P3 NO BUSHING OPTION NEEDED

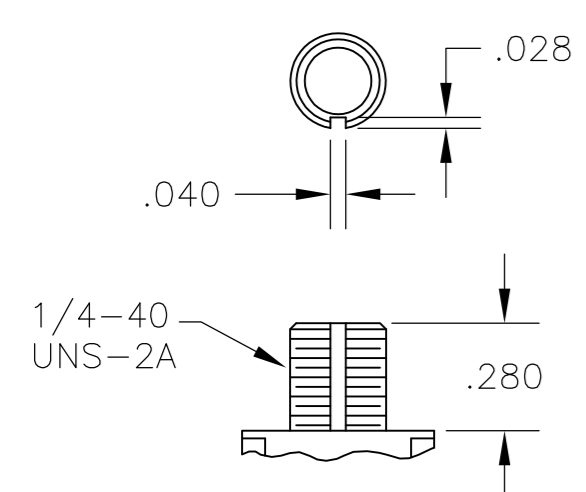


T NO BUSHING OPTION NEEDED

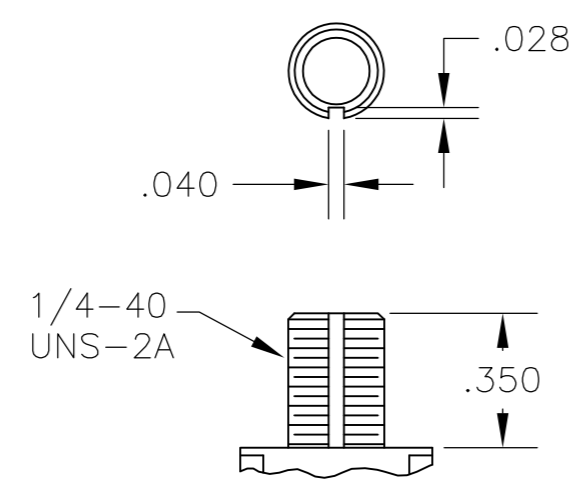


T1 NO BUSHING OPTION NEEDED

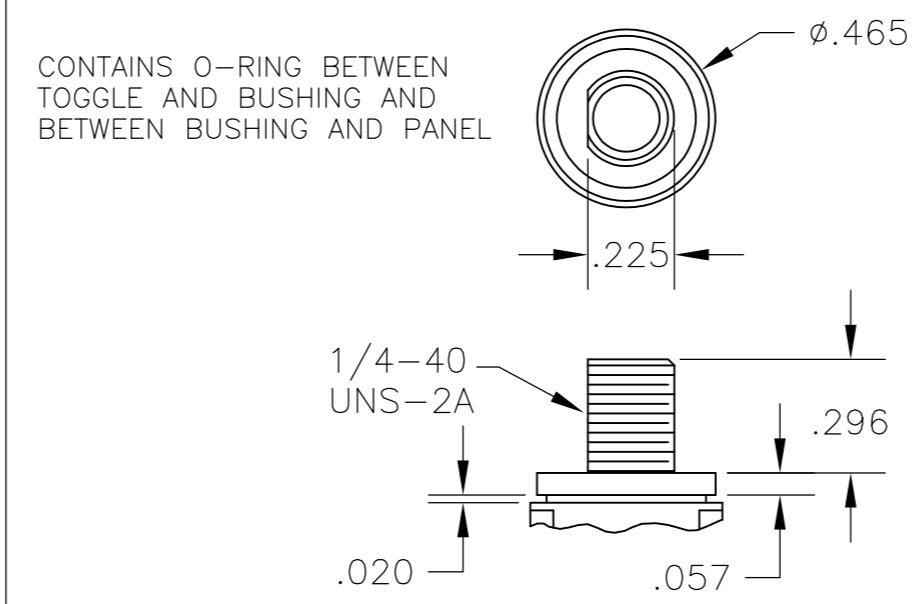
BUSHINGS



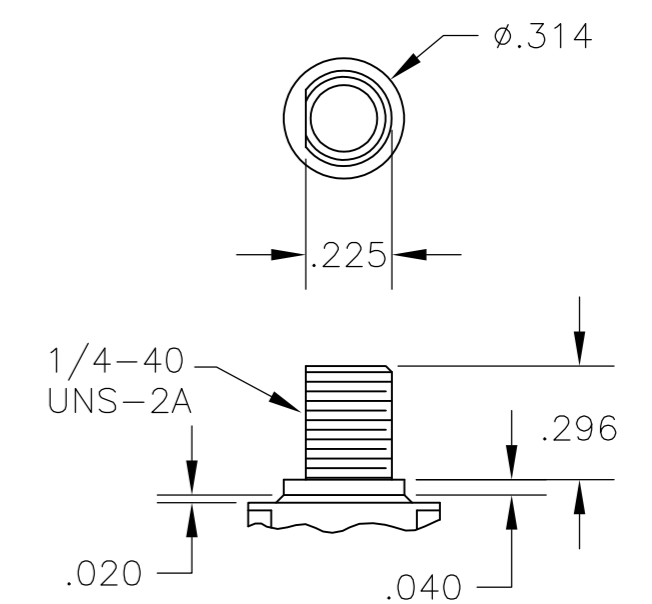
D THREADED
D9 UNTHREADED



Y THREADED
Y9 UNTHREADED



CW THREADED SPLASHPROOF



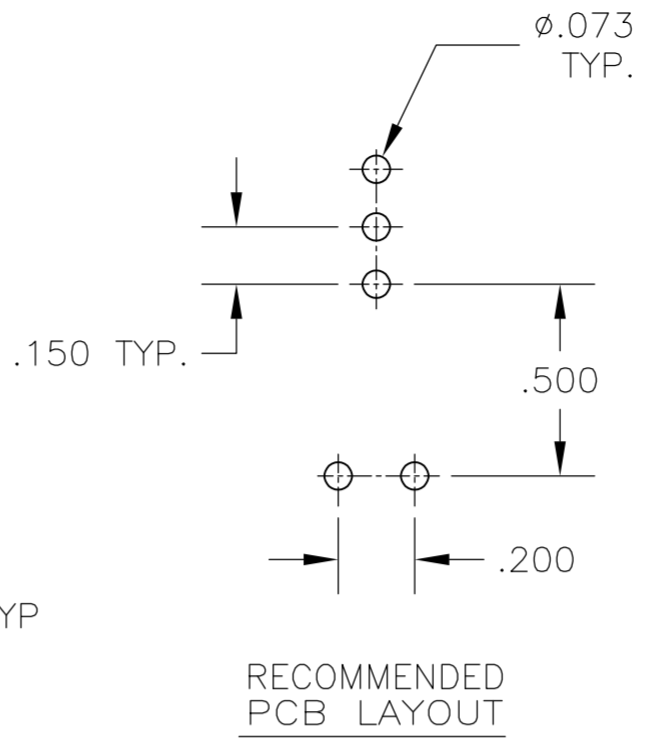
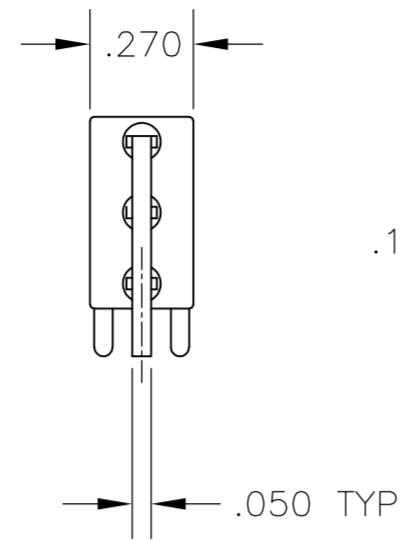
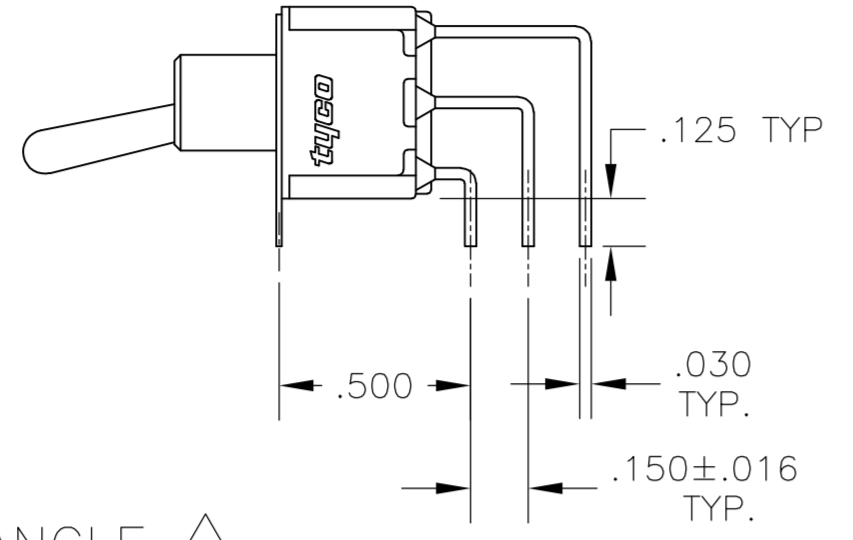
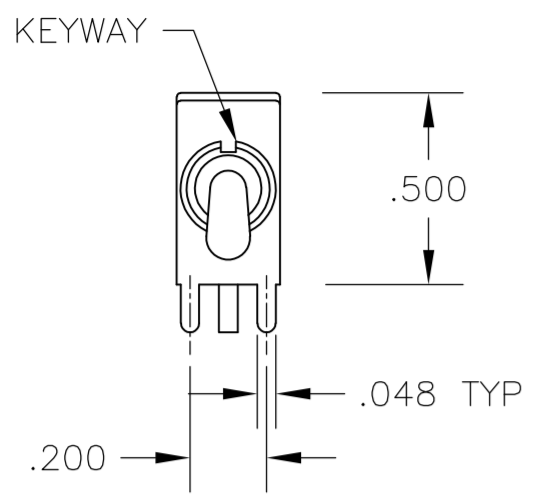
H HIGH TORQUE

CONTAINS O-RING BETWEEN TOGGLE AND BUSHING AND BETWEEN BUSHING AND PANEL

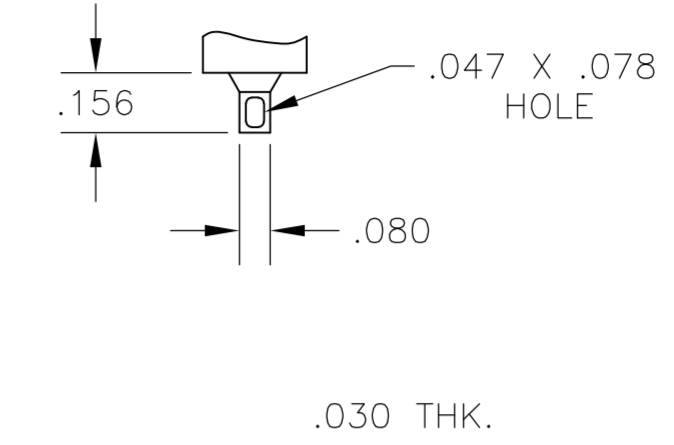
THIS DRAWING IS A CONTROLLED DOCUMENT.		DWN M. ZITTO 18MAY05	Tyco Electronics Corporation Harrisburg, Pa 17105-3608	
DIMENSIONS: INCHES		CHK M. ZITTO	NAME	
TOLERANCES UNLESS OTHERWISE SPECIFIED:		APVD M. ZITTO	GEMINI A SERIES TOGGLE SWITCH, SINGLE POLE, 3 POSITION FUNCTIONS (03, 05 & 07)	
0 PLC ± -		PRODUCT SPEC	SIZE A2	CAGE CODE 00779
1 PLC ± -		APPLICATION SPEC	DRAWING NO C=1825137	RESTRICTED TO
2 PLC ± -		WEIGHT -	SCALE 2:1	SHEET 2 of 4
3 PLC ± .010		CUSTOMER DRAWING	REV A1	
4 PLC ± -				
ANGLES ± 2°				
FINISH -				

THIS DRAWING IS UNPUBLISHED. RELEASED FOR PUBLICATION
 © COPYRIGHT BY TYCO ELECTRONICS CORPORATION. ALL RIGHTS RESERVED.

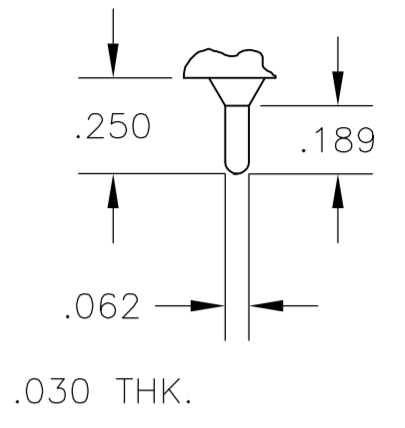
LOC	DIST	REVISIONS					
AD	00	P	LTR	DESCRIPTION	DATE	DWN	APVD
		-	-	SEE SHEET 1	-	-	-



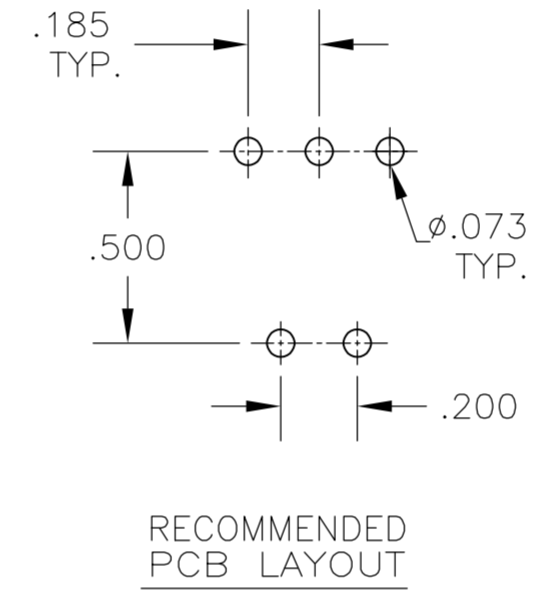
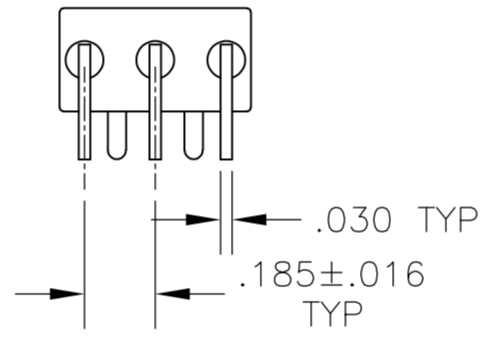
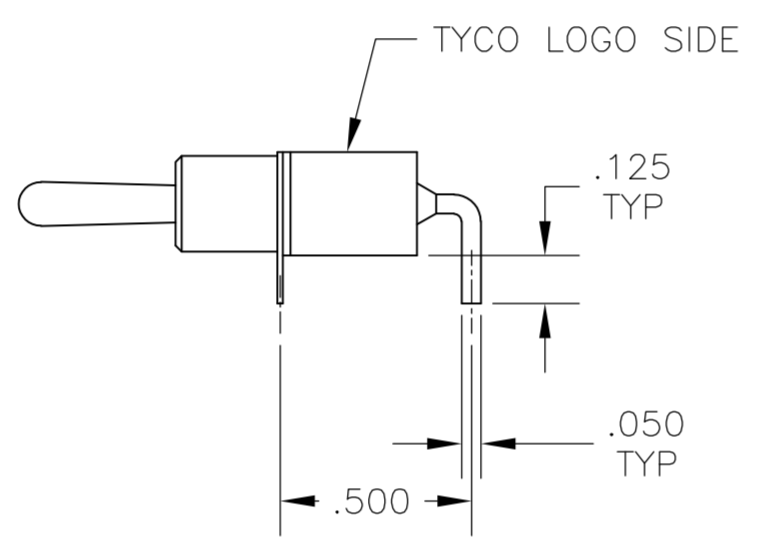
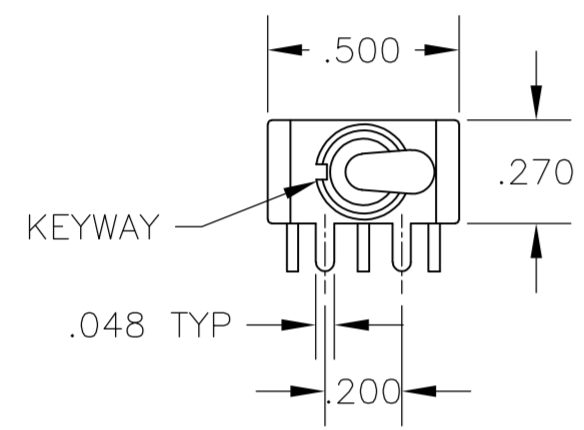
AV2 VERTICAL RIGHT ANGLE \triangle



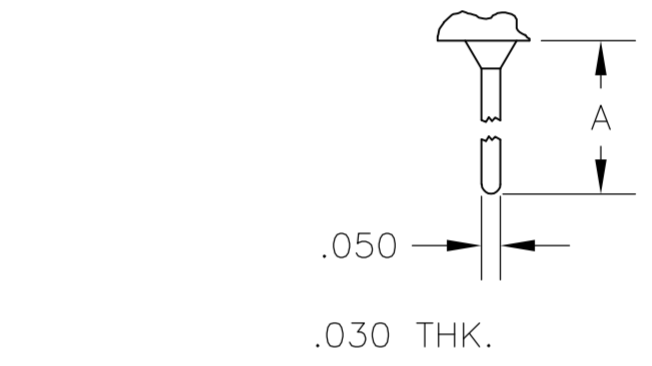
Z WIRE LUG



Z3 QUICK CONNECT

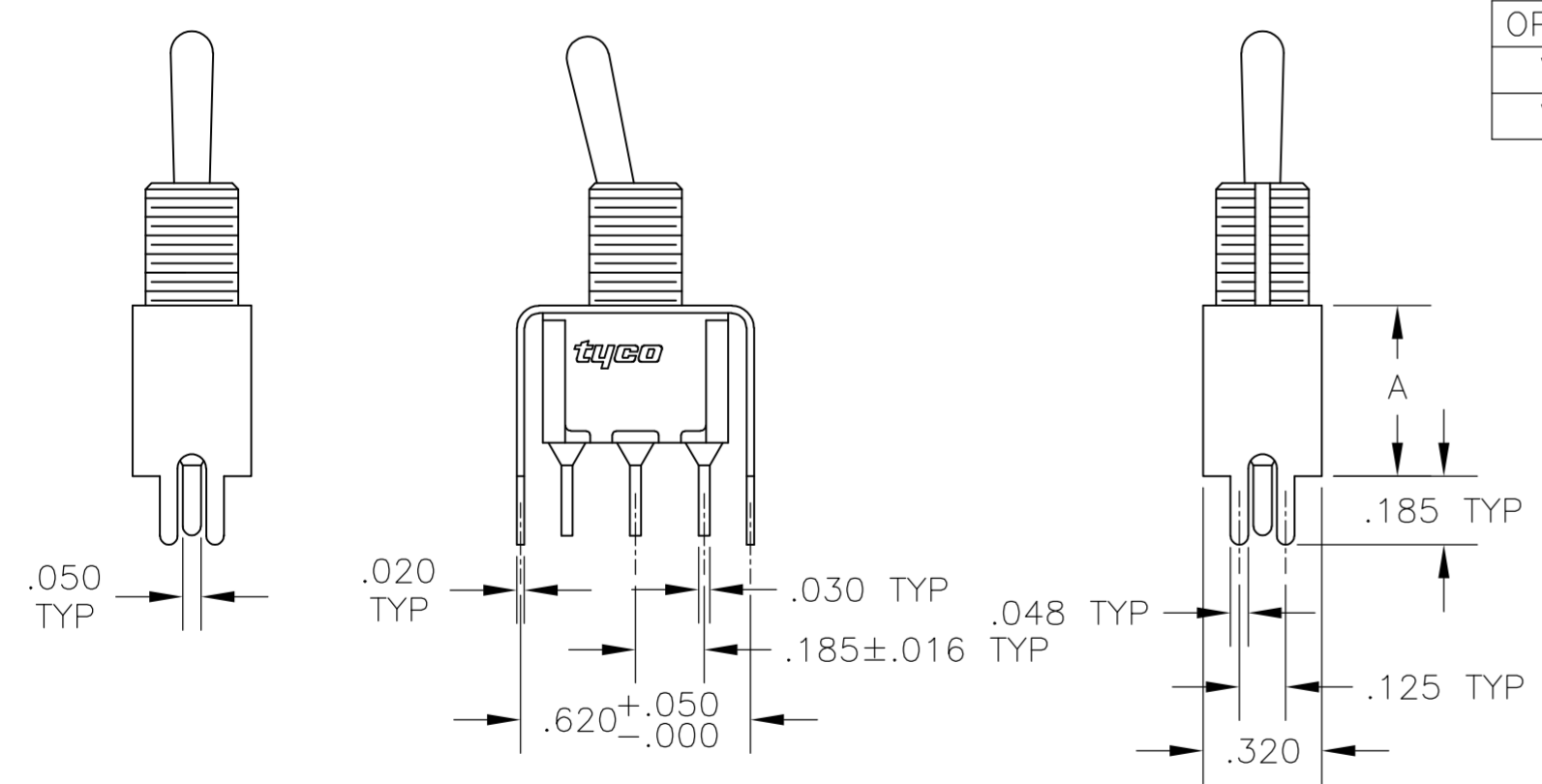


A RIGHT ANGLE \triangle

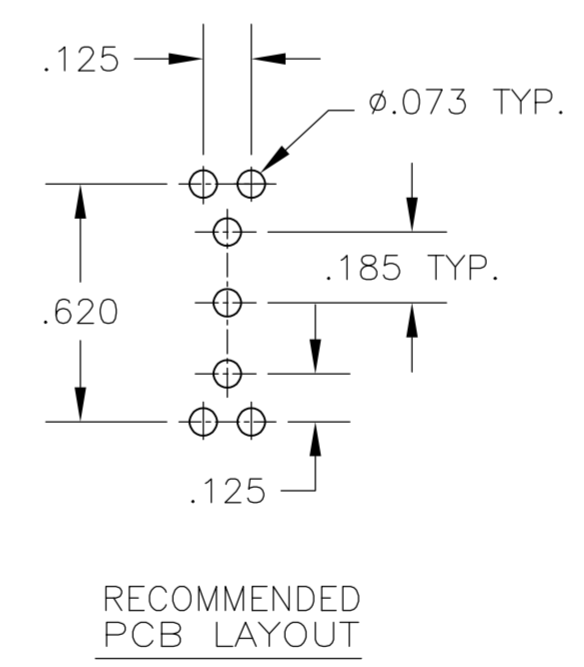


W W4 WIRE WRAP

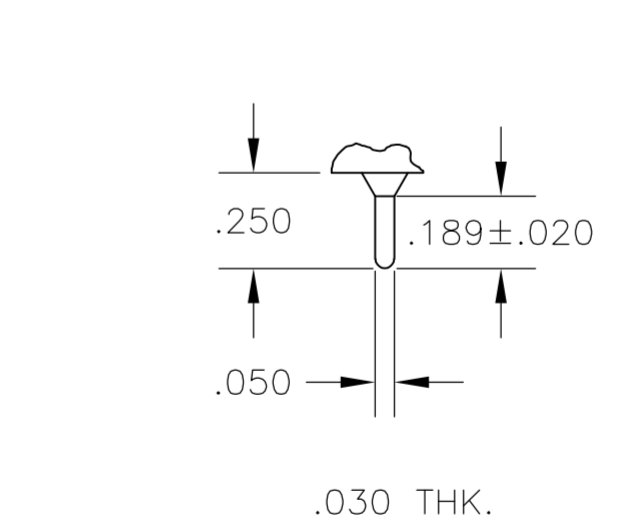
OPTION	DIM A
W	.736
W4	1.062



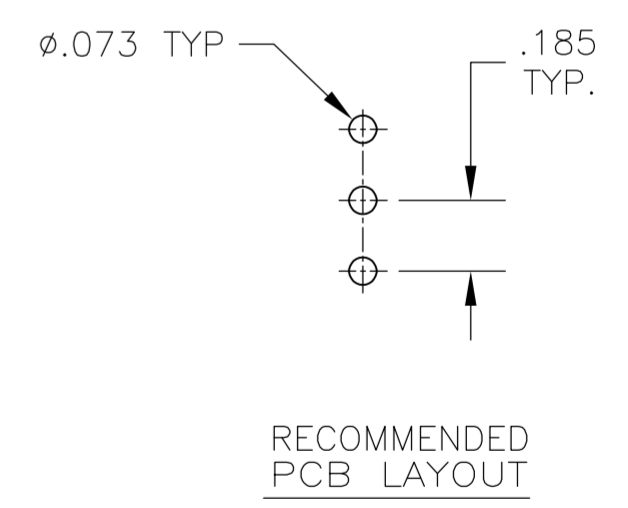
OPTION	DIM A
V30	.460
V40	.630



V30 V40 \triangle
 VERTICAL SUPPORT BRACKET



C PRINTED CIRCUIT



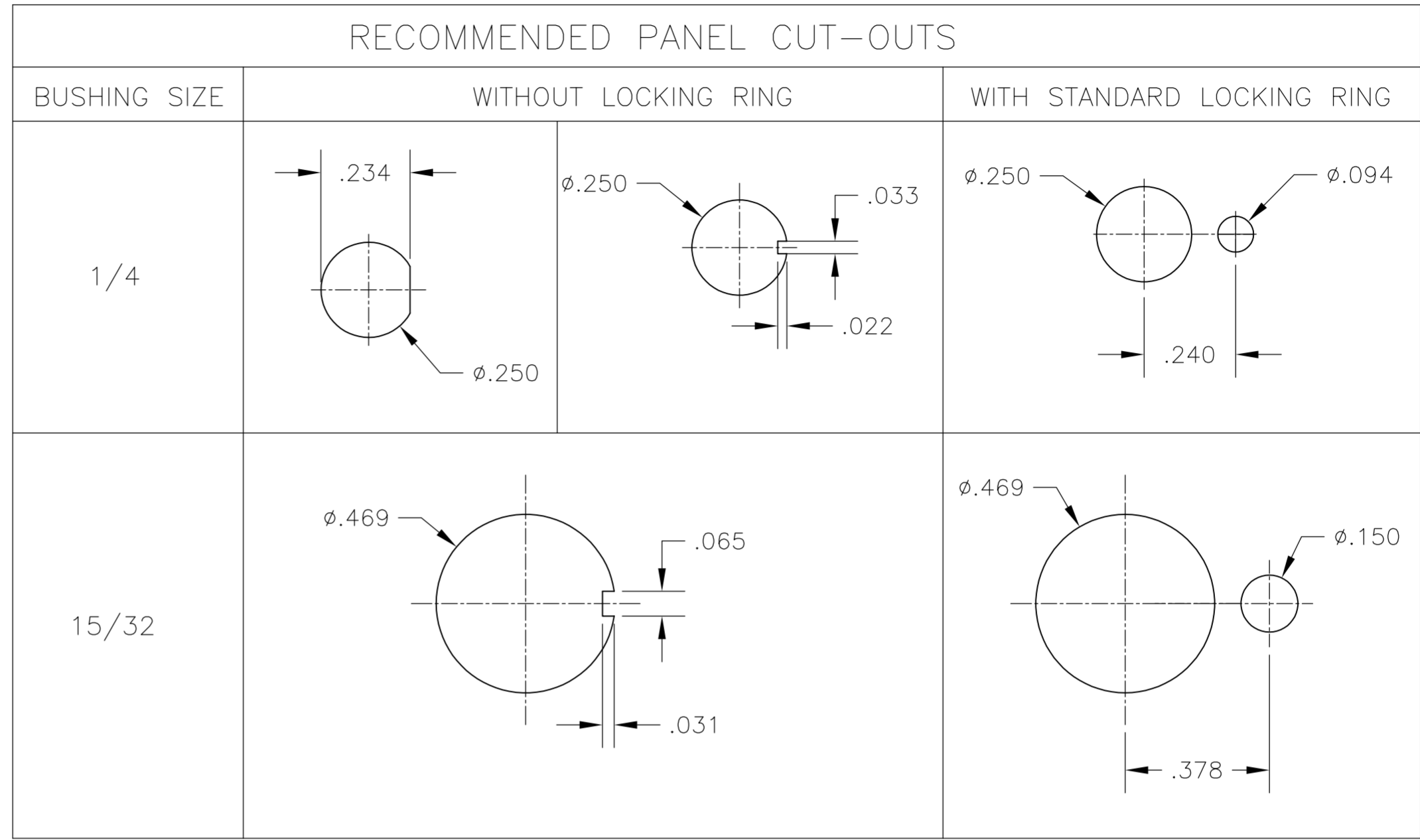
THIS DRAWING IS A CONTROLLED DOCUMENT.

DIMENSIONS: INCHES	TOLERANCES UNLESS OTHERWISE SPECIFIED: 0 PLC ± - 1 PLC ± - 2 PLC ± - 3 PLC ± .010 4 PLC ± - ANGLES ± 2°	DWN M. ZITTO CHK M. ZITTO APVD M. ZITTO PRODUCT SPEC	18MAY05 -	Tyco Electronics Corporation Harrisburg, Pa 17105-3608
MATERIAL	FINISH	WEIGHT	-	
CUSTOMER DRAWING		SCALE	2:1	SIZE A2
		SHEET	3 of 4	DRAWING NO 00779
		REV	A1	RESTRICTED TO -

THIS DRAWING IS UNPUBLISHED. RELEASED FOR PUBLICATION
 © COPYRIGHT BY TYCO ELECTRONICS CORPORATION. ALL RIGHTS RESERVED.

LOC	DIST	REVISIONS					
AD	00	P	LTR	DESCRIPTION	DATE	DWN	APVD
				SEE SHEET 1			

Alco P/N	TE P/N
A103KZQ04	1825137-1
A103MD9AB04	1825137-2
A103MD9AG04	1825137-3
A103MD9AQ04	1825137-4
A103MD9AV2B04	1825137-5
A103P3ZQ04	1825137-6
A103SD9AQ04	1825137-7
A103SD9AV2B04	1825137-8
A103SD9AV2Q04	1825137-9
A103SDCB04	1-1825137-0
A103SDCQ04	1-1825137-1
A103SDZQ04	1-1825137-2
A103SYAQ04	1-1825137-3
A103SYAV2Q04	1-1825137-4
A103SYCB04	1-1825137-5
A103SYCQ04	1-1825137-6
A103SYWB04	1-1825137-7
A103SYWQ04	1-1825137-8
A103SYZB04	1-1825137-9
A103SYZQ04	2-1825137-0
A103T1CG04	2-1825137-1
A103T1ZQ04	2-1825137-2
A103TZQ04	2-1825137-3
A105MD9AB04	2-1825137-4
A105MD9AQ04	2-1825137-5
A105MYV30Q04	2-1825137-6
A105P3CG04	2-1825137-7
A105P3CQ04	2-1825137-8
A105P3ZQ04	2-1825137-9
not assigned	3-1825137-0
A105SD9AB04	3-1825137-1
A105SD9AV2Q04	3-1825137-2
A105SD9V30B04	3-1825137-3
A105SYAB04	3-1825137-4
A105SYAV2B04	3-1825137-5
A105SYCB04	3-1825137-6
A105SYCQ04	3-1825137-7
A105SYZB04	3-1825137-8
A105SYZQ04	3-1825137-9
A105T1ZB04	4-1825137-0
A105T1ZQ04	4-1825137-1
A105TZQ04	4-1825137-2
A107KAV2Q04	4-1825137-3
A107KZB04	4-1825137-4
A107MD9AV2B04	4-1825137-5
A107MD9CQ04	4-1825137-6
A107MD9V30Q04	4-1825137-7
A107P3ZQ04	4-1825137-8
A107SYAQ04	4-1825137-9
A107SYCB04	5-1825137-0
A107SYCQ04	5-1825137-1
A107SYZQ04	5-1825137-2
A107TZB04	5-1825137-3
A105MD9AV2B	5-1825137-4



MATERIALS CHART

COMPONENT NAME	BASE MATERIAL	FINISH
CASE	DAP, RED, UL94 V-0	
FRAME	STAINLESS STEEL	
B TERMINALS & CONTACTS	COPPER	GOLD OVER NICKEL
G TERMINALS & CONTACTS	COPPER	GOLD OVER SILVER
Q TERMINALS & CONTACTS	COPPER	.000400 SILVER
ACTUATOR	PHENOLIC, BLACK, UL94 V-1	
LEVER	BRASS	CHROME
BUSHING	BRASS	NICKEL
SPRING	MUSIC WIRE	
SUPPORT BRACKET	BRASS	TIN
PIVOT PIN	STEEL	NICKEL
LOCK WASHER	STAINLESS STEEL	
LOCKING RING	STAINLESS STEEL	
NUTS	C3604BD BRASS	NICKEL
TERMINAL SEAL	EPOXY	

THIS DRAWING IS A CONTROLLED DOCUMENT.

DIMENSIONS: INCHES	TOLERANCES UNLESS OTHERWISE SPECIFIED:	DWN M. ZITTO 18MAY05	Tyco Electronics Corporation Harrisburg, Pa 17105-3608
	0 PLC ± -	CHK M. ZITTO -	
	1 PLC ± -	APVD M. ZITTO -	
	2 PLC ± -	NAME M. ZITTO	
	3 PLC ± .010	PRODUCT SPEC	GEMINI A SERIES TOGGLE SWITCH, SINGLE POLE, 3 POSITION FUNCTIONS (03, 05 & 07)
	4 PLC ± -	APPLICATION SPEC	
	ANGLES ± 2'		SIZE A2 CAGE CODE 00779 DRAWING NO. 1825137 RESTRICTED TO -
MATERIAL	FINISH	WEIGHT	SCALE 3:1 SHEET 4 OF 4 REV A1

CUSTOMER DRAWING