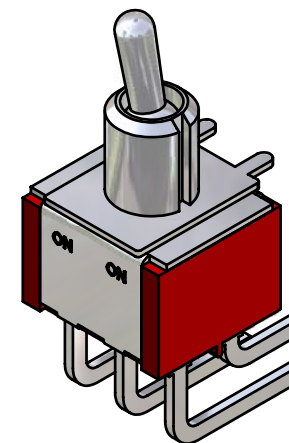
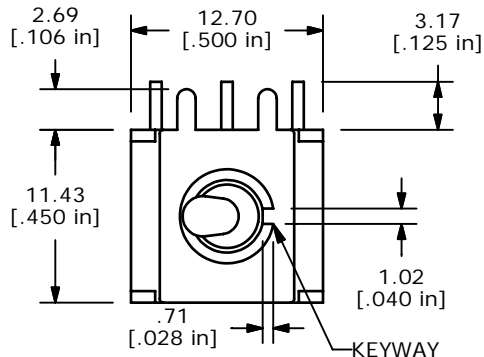
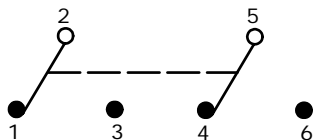


PC MOUNTING



ISOMETRIC

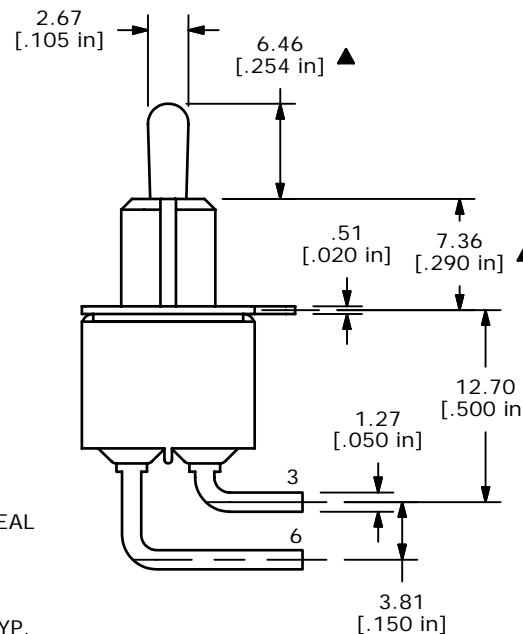
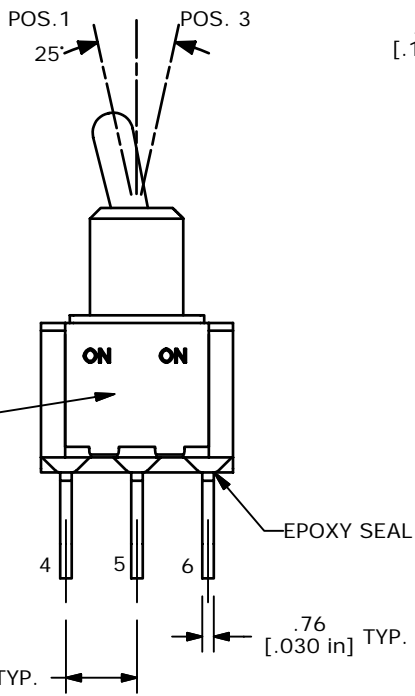
SWITCH FUNCTION		
POS. 1	POS. 2	POS. 3
ON	NONE	ON
2-3, 5-6	N/A	2-1, 5-4



CIRCUIT: DPDT

NOTE:

1. ALL DIMENSIONS IN MM [INCH]
2. GENERAL TOLERANCE: X.X=±0.4  
X.XX=±0.25
3. TERMINAL NUMBERS FOR REF ONLY
- ▲4. PLATING MATERIAL: SILVER
5. RATING: 5 AMPS W/RESISTIVE LOAD @ 120VAC OR 28VDC  
2 AMPS W/RESISTIVE LOAD @ 250VAC
6. ELECTRIC LIFE: 40,000 make-and-break cycles at full load.
7. INSULATION RESISTANCE: 1,000 Mega-ohm min.
8. DIELECTRIC STRENGTH: 1,000 V RMS @sea level.
9. OPERATING TEMP.: -30°C to 85°C
10. ▲ DENOTES CRITICAL PARAMETER.



G	15989	UPDATED ACTUATOR POS.	4/26/06	CT
F	15233	CHANGES NOTED WITH	9/1/05	PH
E	15200	CHANGES NOTED WITH	8/25/05	PH
D	14611	REVISED AND REDRAWN	1/7/05	AR
REV	PCR NO	DESCRIPTION	DATE	BY

**E-SWITCH®**

TITLE 100DP1T2B4M6QE

SCALE	DATE	DR	DWG	REV
2:1	5/21/1998	AR	T121043	G