

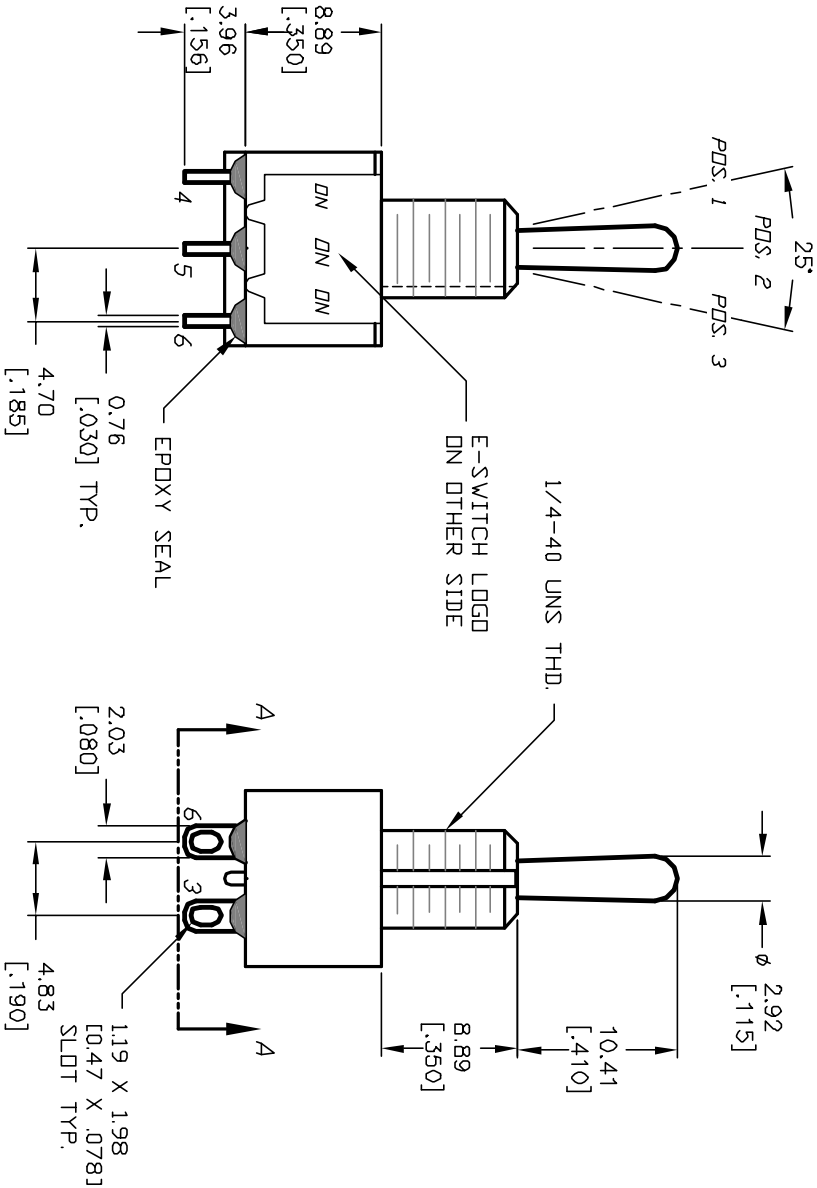
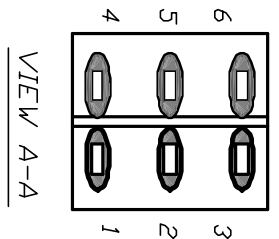
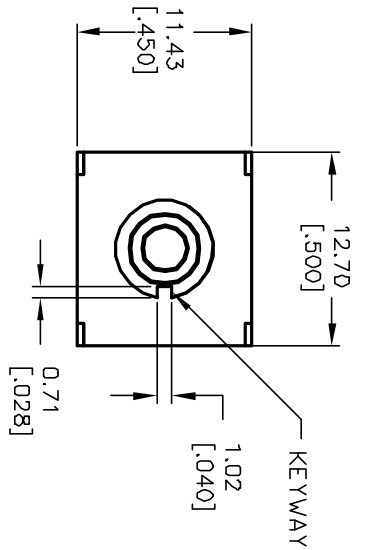
CIRCUIT: DPDT 3-WAY

NOTE: JUMPER PIN 3 TO PIN 5

SWITCH FUNCTION		
POS. 1	POS. 2	POS. 3
2-3-5-6	2-3-5-4	2-1-5-4

NOTES:

1. ALL DIMENSIONS IN MM [INCH]
2. GENERAL TOLERANCE: X.X=±0.4 X.XX=±0.25
3. TERM. NOS. FOR REF. ONLY
4. RATING: 5A @120VAC OR 28VDC 2A @250VAC
5. MATERIALS: FIXED TERM. &MOVING CONTACT: Cu Alloy w/Silver plate
6. ELECTRICAL LIFE: 50,000 make-and-break cycles at full load.
7. INSULATION RESISTANCE: 1,000M ohm min.
8. DIELECTRIC STRENGTH: 1000V RMS @sea level
9. OPERATING TEMP.: -30°C to 85°C



**E-SWITCH®**

C	12604	REVISED FUNC/SCHEMATIC	12/13/02	CJB	TITLE	SCALE	DATE	DR	DWG	REV
B	11520	REVISED TERM NOS/SCHEMATIC	6/29/01	CJB	100 DP-6 T1 B1 M1 Q E	2:1	6/1/01	CJB	T126001	C
REV.	ECN No.	DESCRIPTION	DATE	CHKD						

THE INFORMATION CONTAINED IN THIS DOCUMENT IS PROPRIETARY TO E-SWITCH AND IS NOT TO BE COPIED OR TRANSMITTED