

RECOMMENDED PCB LAYOUT

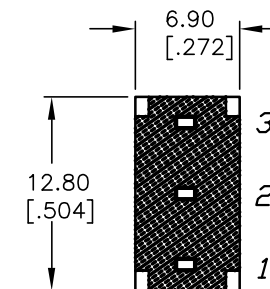
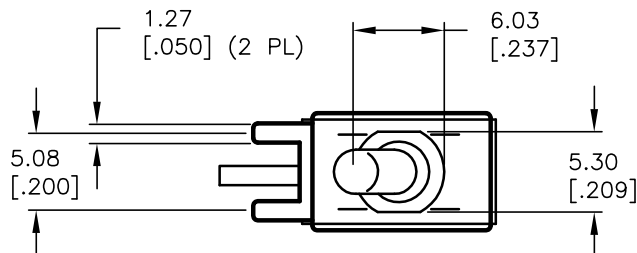


SPDT CIRCUIT CONTACT CONFIGURATION

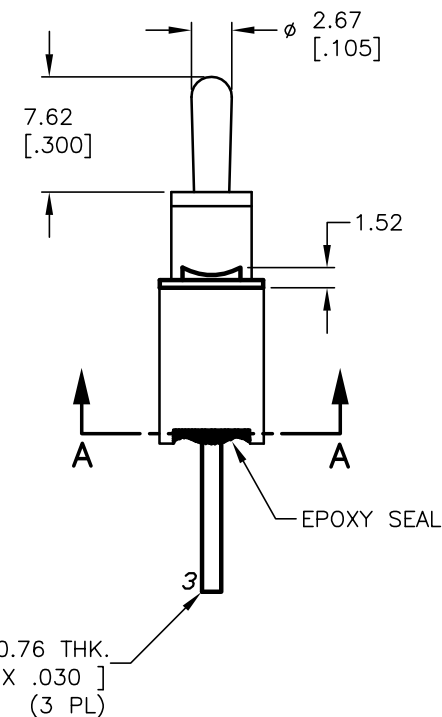
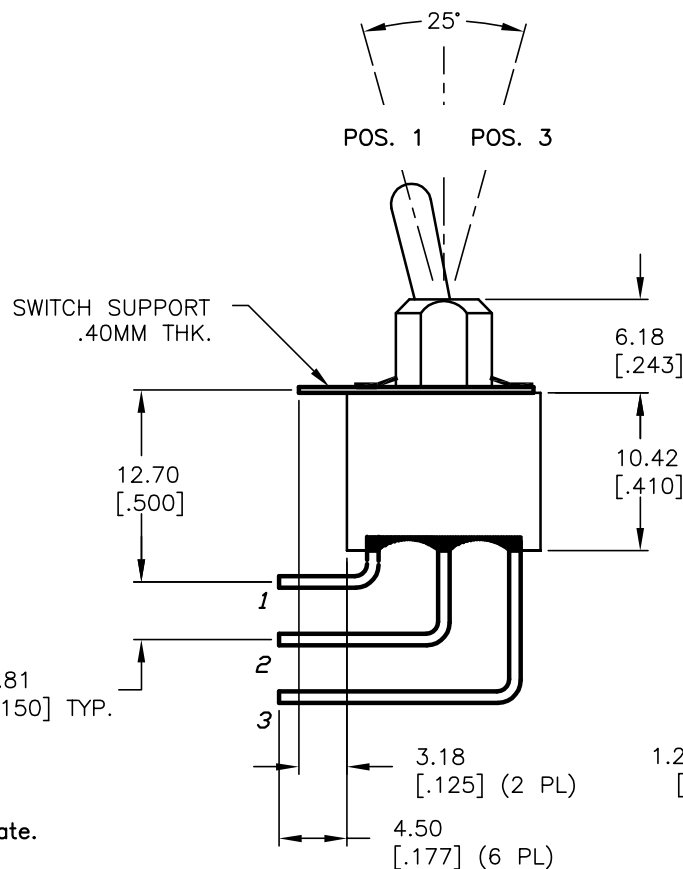
SWITCH FUNCTION		
POS. 1	POS. 2	POS. 3
ON	OFF	ON
2-3	OPEN	2-1

NOTES:

- ALL DIMENSIONS IN MM [INCH]
- GENERAL TOLERANCE: X.X=±0.4
X.XX=±0.25
- TERMINAL NUMBERS FOR REF ONLY
- RATING: 0.4(VA) Max. @20V (AC or DC)
- FIXED TERM. & MOVING CONTACT: Cu Alloy w/Gold plate over Ni plate.
- ELECTRIC LIFE: 50,000 make-and-break cycles at full load.
- INSULATION RESISTANCE: 1,000 Mega-ohm min.
- DIELECTRIC STRENGTH: 1,000 V RMS @sea level.
- OPERATING TEMP.: -30°C to 85°C



SECTION A-A



E-SWITCH®

TITLE

100AWSP3T2B4M7RE

A	13614	RELEASED FOR PRODUCTION	11/19/03	AR
REV.	ECN No.	DESCRIPTION	DATE	CHKD

THE INFORMATION CONTAINED IN THIS DOCUMENT IS PROPRIETARY TO E-SWITCH AND IS NOT TO BE COPIED OR TRANSFERRED

SCALE

2:1

DATE

11/19/03

DR

AR

DWG

T102303

REV

A