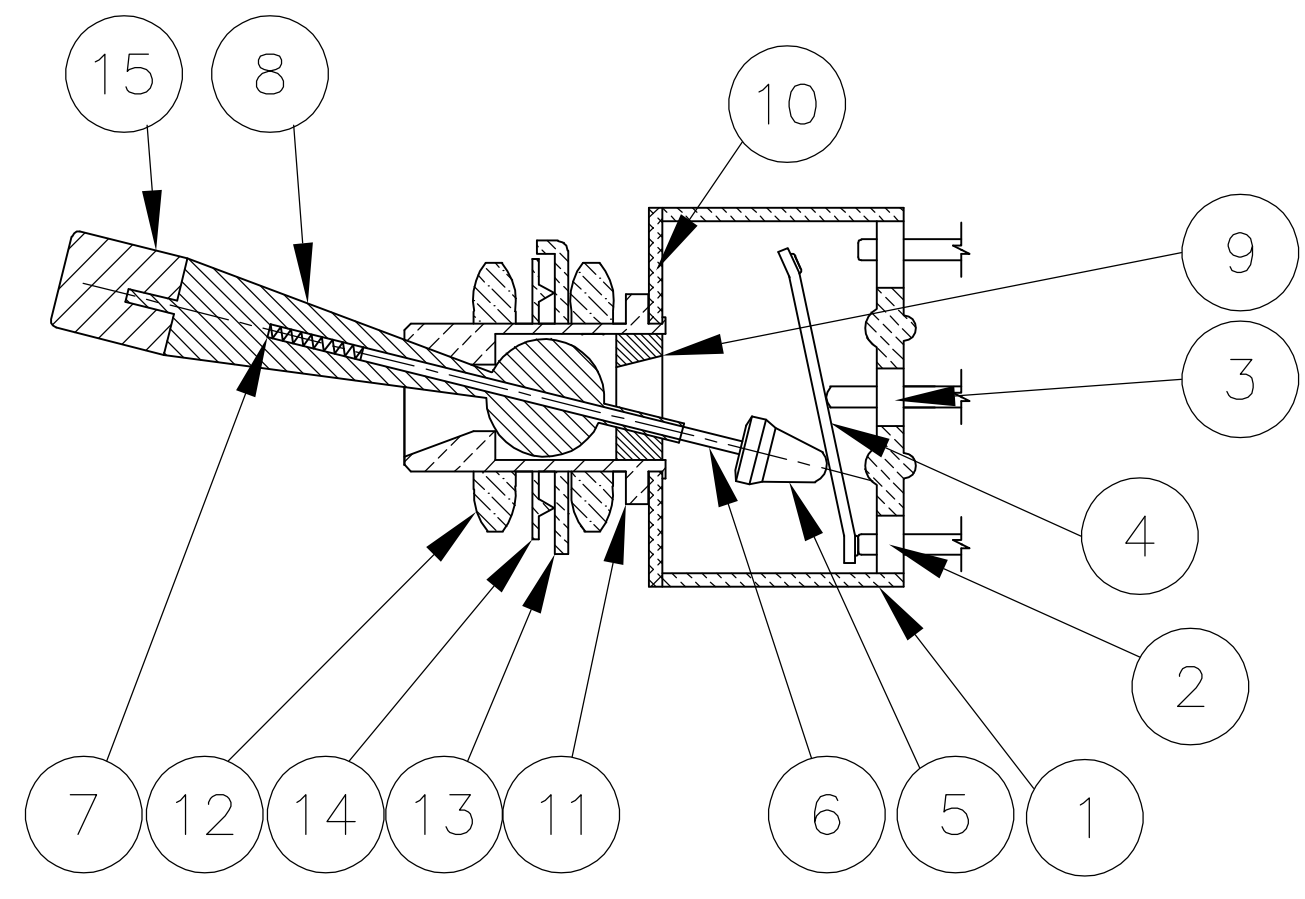
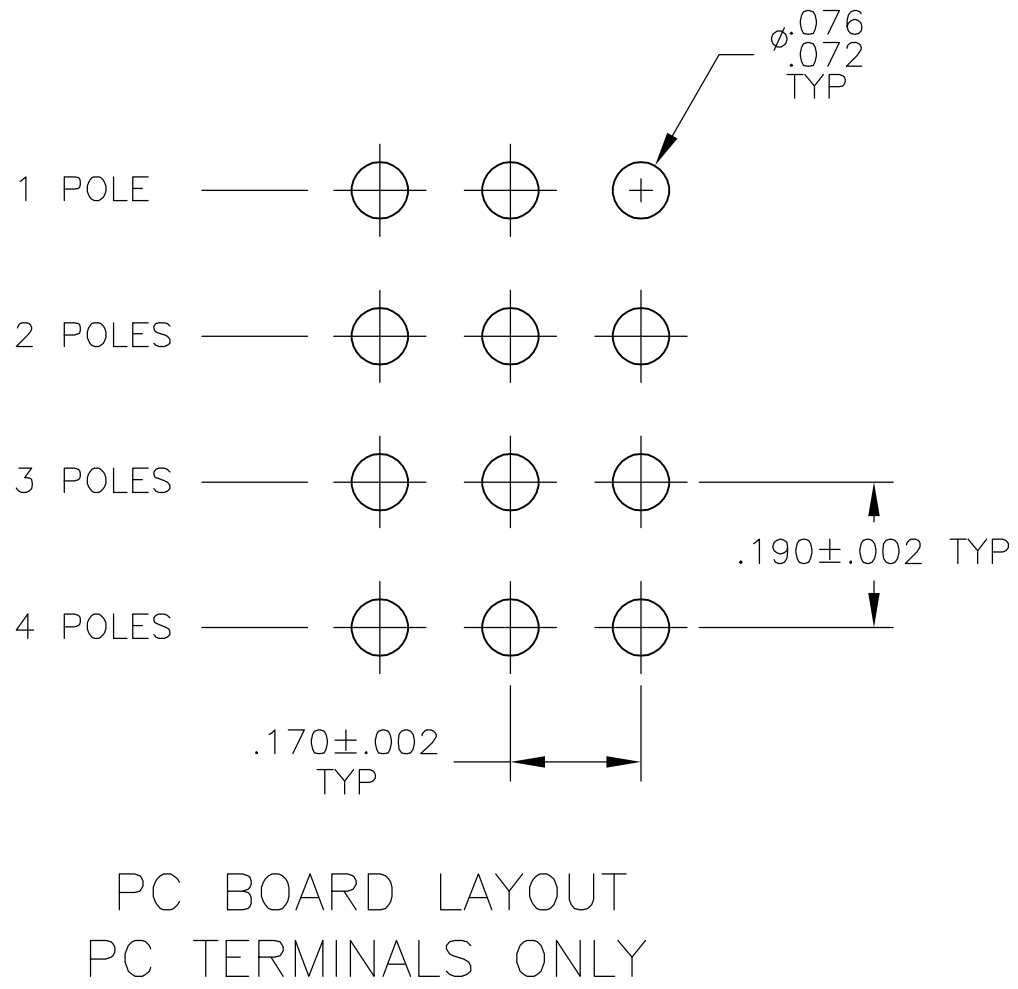
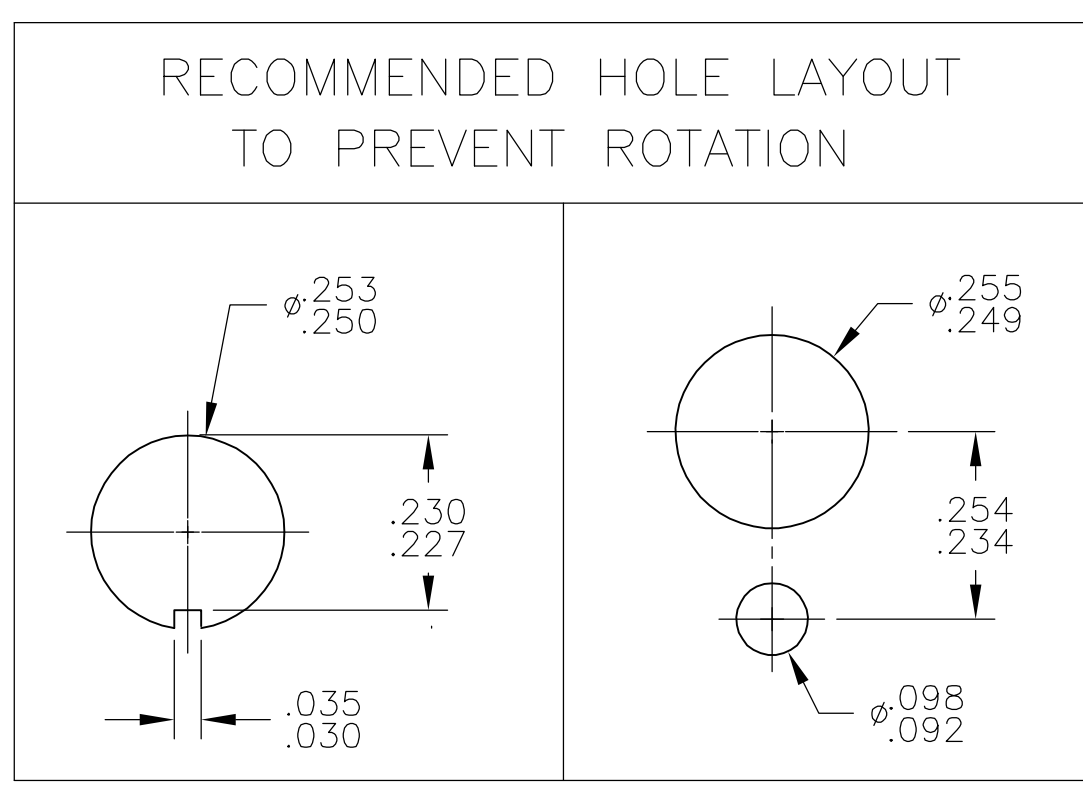


Materials			
No.	Component name	Base material	Finish
1	Housing	ALKYD, GREEN, UL94 V-0	
2	End terminal	silver clad copper alloy	5 microinches min. gold
3	Center terminal	copper alloy	5 microinches min. gold
4	Rocker contact	silver clad copper alloy	5 microinches min. gold
5	Actuator	Phenol resin, UL94 HB, black	
6	Plunger	stainless steel	
7	Spring	music wire	
8	Toggle	brass	200 microinches min. bright nickel, electrodeposited
9	Retainer	Polyamide, UL94 HB, black	
10	Frame	cold rolled steel	200 microinches min. bright nickel, electrodeposited
11	Bushing	Zinc	100 microinches min. nickel electrodeposited over 200 microinches min. copper
12	Mounting nuts (2)	brass	200 microinches min. bright nickel electrodeposited.
13	Locating ring	cold rolled steel	200 microinches min. bright nickel, electrodeposited
14	Internal tooth lockwasher	steel	200 microinches min. bright nickel, electrodeposited



NOT TO SCALE

Specifications - see note 3				
Current rating UL & CSA	6A @ 125 VAC (resistive) 3A @ 250 VAC (resistive) 4A @ 28 VDC (resistive)			
Termination resistance	20 milliohms max @ 2-4 VDC, 1A			
Insulation resistance	1,000 megohms min.			
Withstanding voltage	1,000 VAC			
Travel	24 +/- 2 degrees			
Actuation force	.05 to 1.5 kgf			
Operating temperature	-20C to +85C			
Storage temperature	-40C to +85C			
Contact timing	break before make			
Terminal seal	epoxy			
Durability	Parameter	2 Position	3 Position	Momentary
	mechanical (no load)	150,000	100,000	80,000
	250 VAC (3A resistive)	80,000	60,000	60,000
	125 VAC (6A resistive)	80,000	60,000	60,000
	28 VDC (4A resistive)	60,000	50,000	40,000



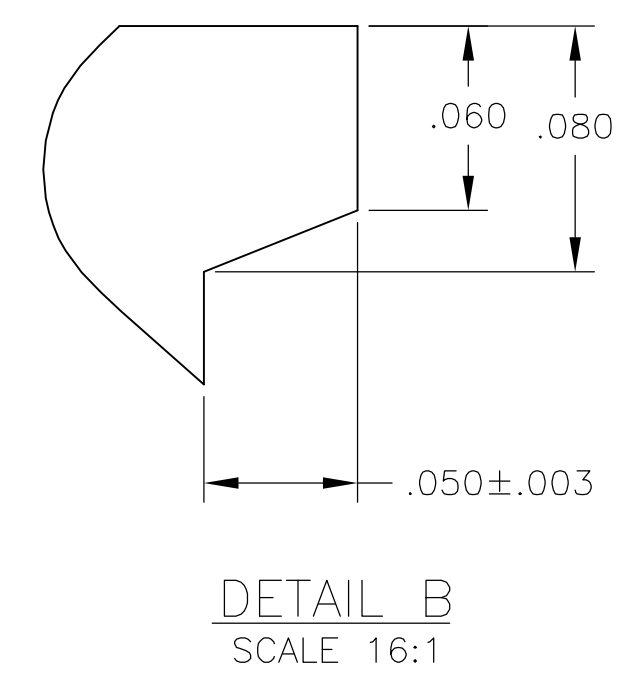
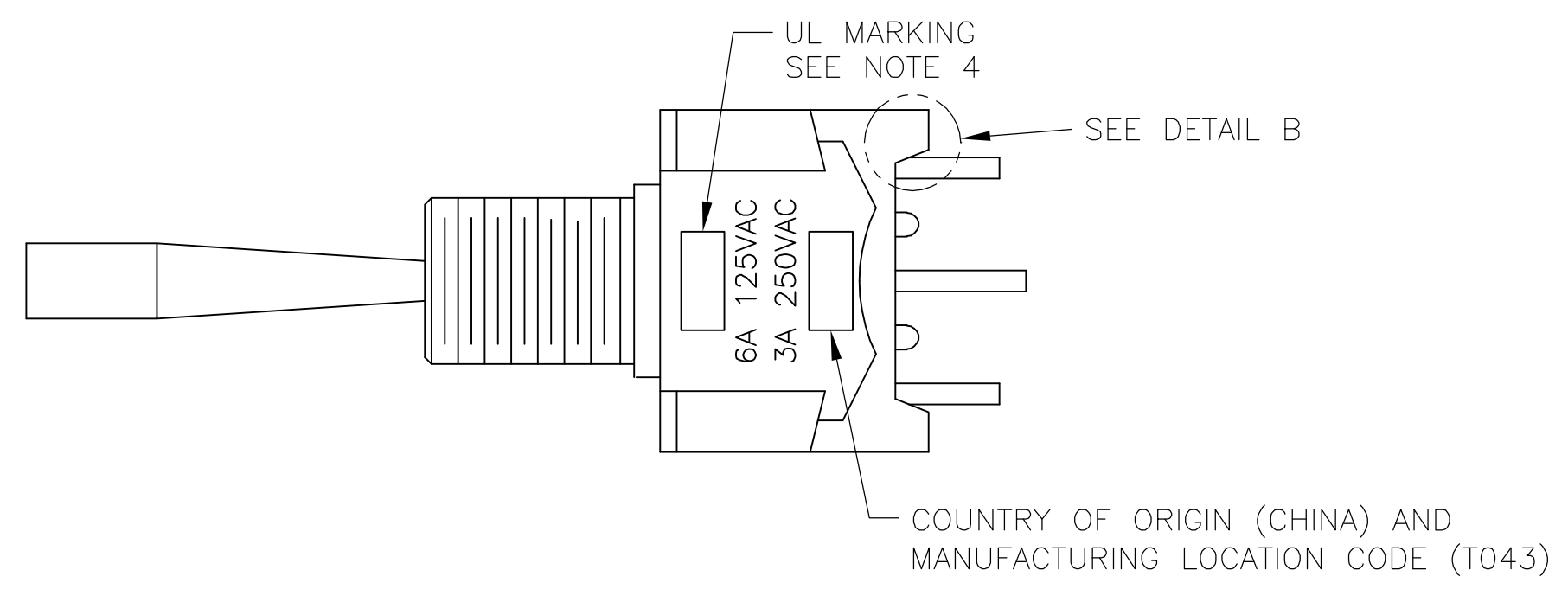
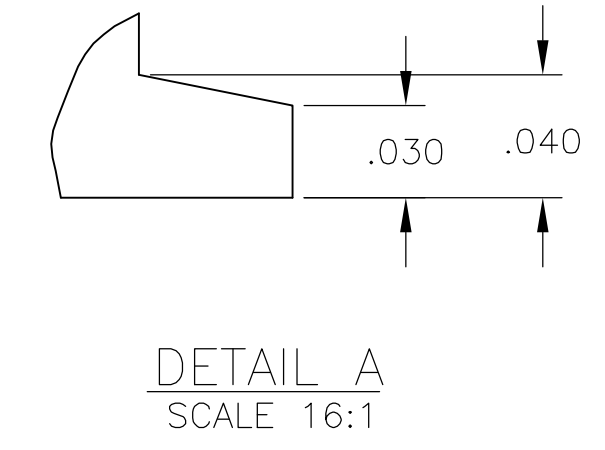
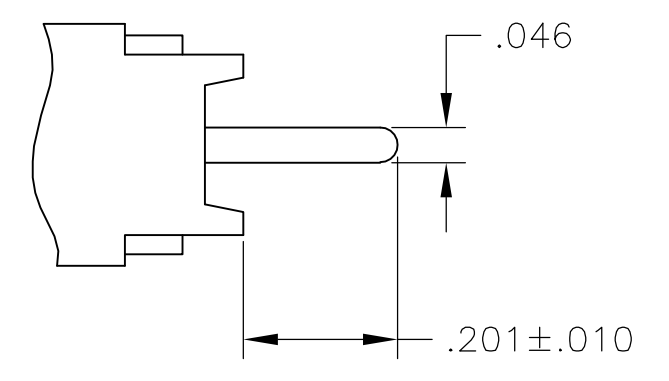
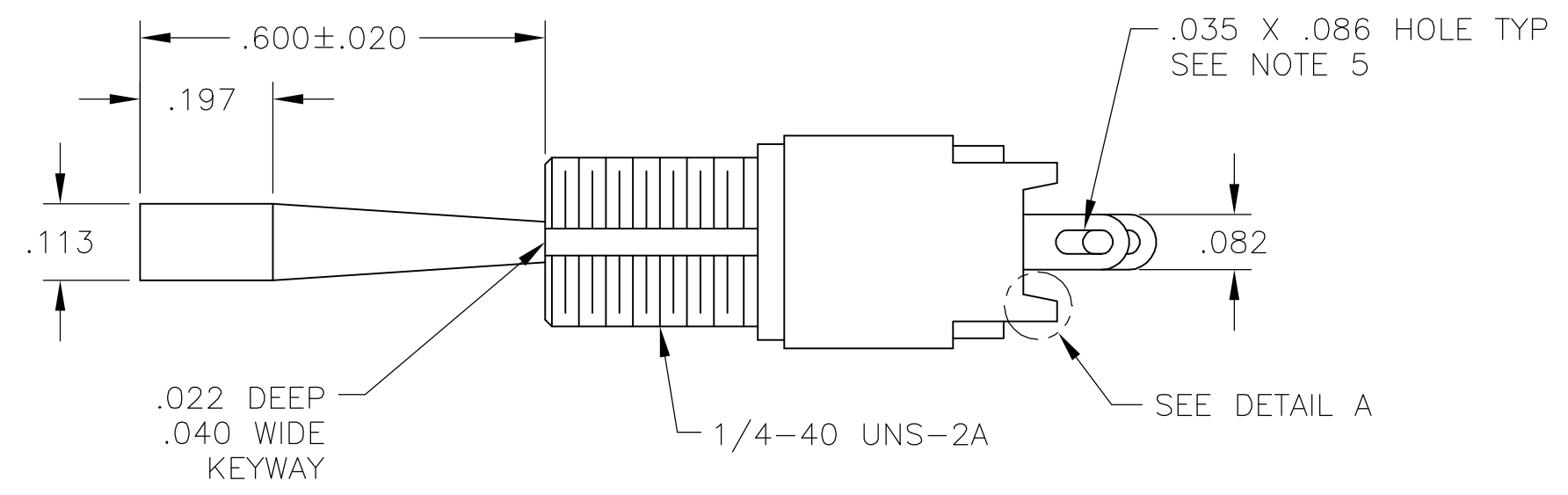
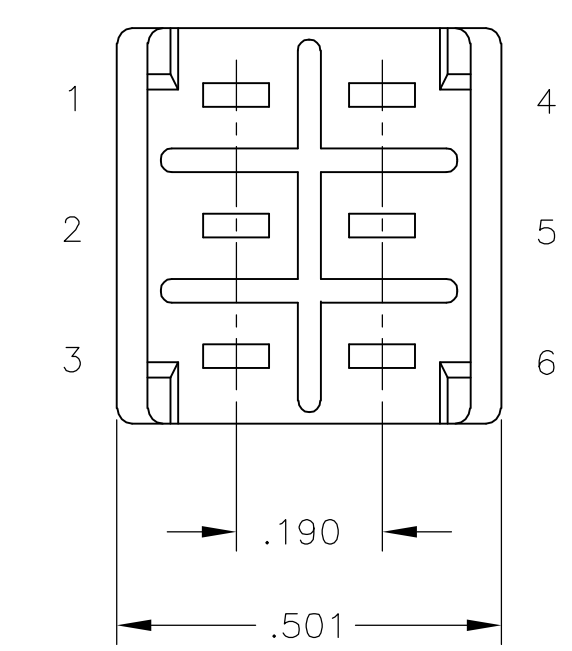
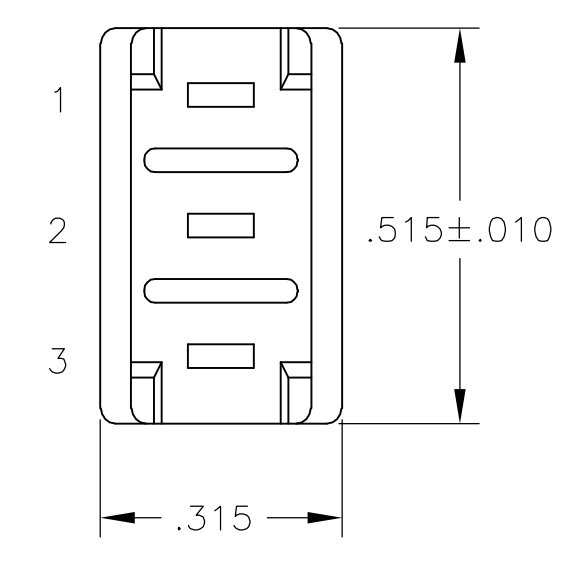
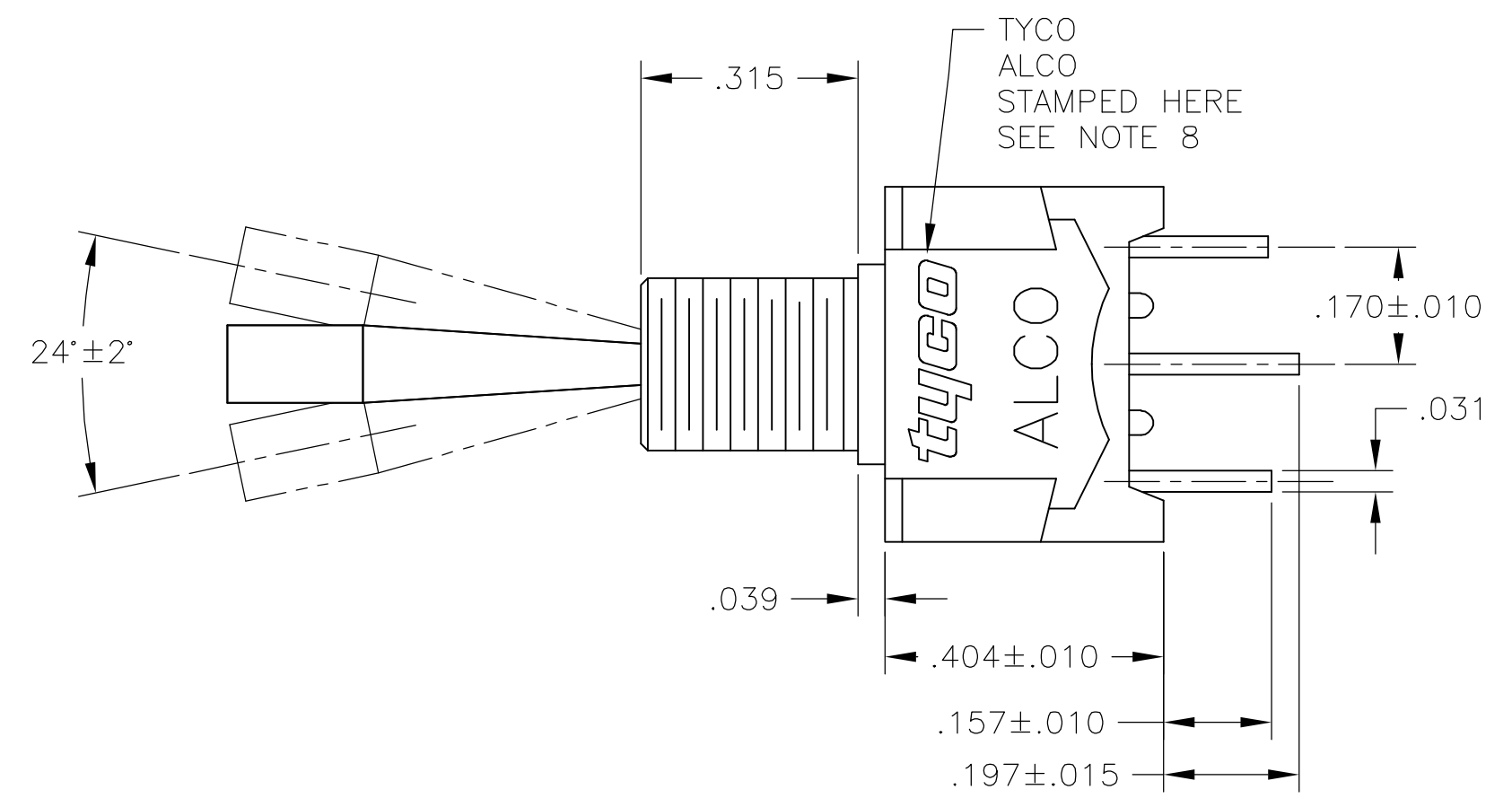
Tyco Part Number	Alco P/N	Poles	Throws	Function	Terminal	Terminal Diagrams	Comments
1-1571923-3	MTB406N04	4	2	ON ON	Wire lug	2-3, 5-6, 8-9, 11-12	2-1, 5-4, 8-7, 11-10
1-1571923-2	MTB306D04	3	2	ON ON	Wire lug	2-3, 5-6, 8-9	2-1, 5-4, 8-7
1-1571923-1	MTB206T04	2	2	ON OFF (ON)	Wire lug	2-3, 5-6	2-1, 5-4
1-1571923-0	MTB206P04	2	2	ON OFF ON	Wire lug	2-3, 5-6	2-1, 5-4
1571923-9	MTB206N04	2	2	ON ON	Wire lug	2-3, 5-6	2-1, 5-4
OBSOLETE 1571923-8	MTB206KPC04	2	1	ON OFF	PC	2-3, 5-6	OFF
OBSOLETE 1571923-7	MTB206K04	2	1	ON OFF	Wire lug	2-3, 5-6	OFF
1571923-6	MTB106G04	1	2	(ON) OFF (ON)	Wire lug	2-3	2-1
1571923-5	MTB106F04	1	2	ON (ON)	Wire lug	2-3	2-1
1571923-4	MTB106E04	1	2	ON OFF ON	Wire lug	2-3	2-1
1571923-3	MTB106D04	1	2	ON ON	Wire lug	2-3	2-1
OBSOLETE 1571923-2	MTB106APC04	1	1	ON OFF	PC	2-3	OFF
OBSOLETE 1571923-1	MTB106A04	1	1	ON OFF	Wire lug	2-3	OFF

- NOTES:
- TERMINAL NUMBERS ARE FOR REFERENCE ONLY AND DO NOT APPEAR ON THE SWITCHES.
 - EACH SWITCH SUPPLIED WITH THE FOLLOWING MOUNTING HARDWARE:
 (2) 1/4-40 UNS-2B HEX NUTS
 (1) INTERNAL TOOTH LOCKWASHER
 (1) LOCATING RING
 - SWITCHES TESTED TO AND MEET THE REQUIREMENTS OF UL 61058-1A, SWITCHES FOR APPLIANCES SWITCHES WILL ALSO BE TESTED TO AND MEET THE REQUIREMENTS OF TYCO 102-2469, REV O, MINIATURE SWITCH QUALIFICATION REQUIREMENTS.
 - SWITCHES ARE PENDING UL RECOGNITION TO US AND CANADIAN STANDARDS.
 - WIRE LUG CONTACTS WILL ACCEPT 2 #20 AWG SOLID OR STRANDED WIRES.
 - SWITCHES ARE MARKED PER TYCO SPEC 202-37 WITH ALCO BENEATH TYCO AS SHOWN.
 - ALL MATERIALS AND FINISHES SHALL COMPLY WITH EU DIRECTIVE 2002/95/EC OF 27JAN2003 (ROHS).

THIS DRAWING IS A CONTROLLED DOCUMENT. DIMENSIONS: INCHES. TOLERANCES UNLESS OTHERWISE SPECIFIED: 0 PLC ± .005, 1 PLC ± .005, 2 PLC ± .005, 3 PLC ± .005, 4 PLC ± .005, ANGLES ± 1. MATERIAL: -. FINISH: -. DWN: BSV, CHK: -. 10AUG04. NAME: M. ZITTO, 10AUG04. PRODUCT SPEC: -. APPLICATION SPEC: -. WEIGHT: -. SIZE: A1, CAGE CODE: 00779, DRAWING NO: 1571923, RESTRICTED TO: -. CUSTOMER DRAWING. SCALE: 4:1, SHEET: 1 of 3, REV: A.

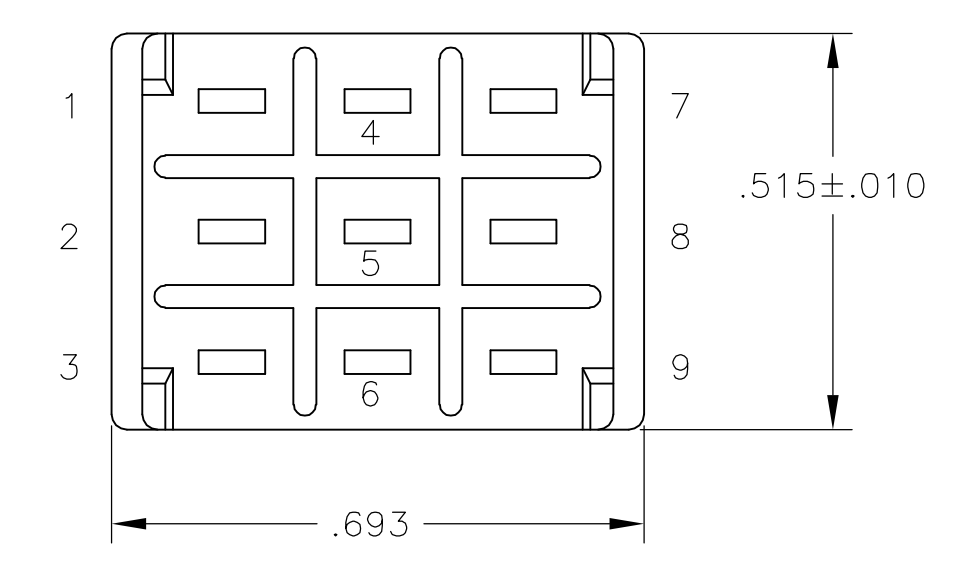
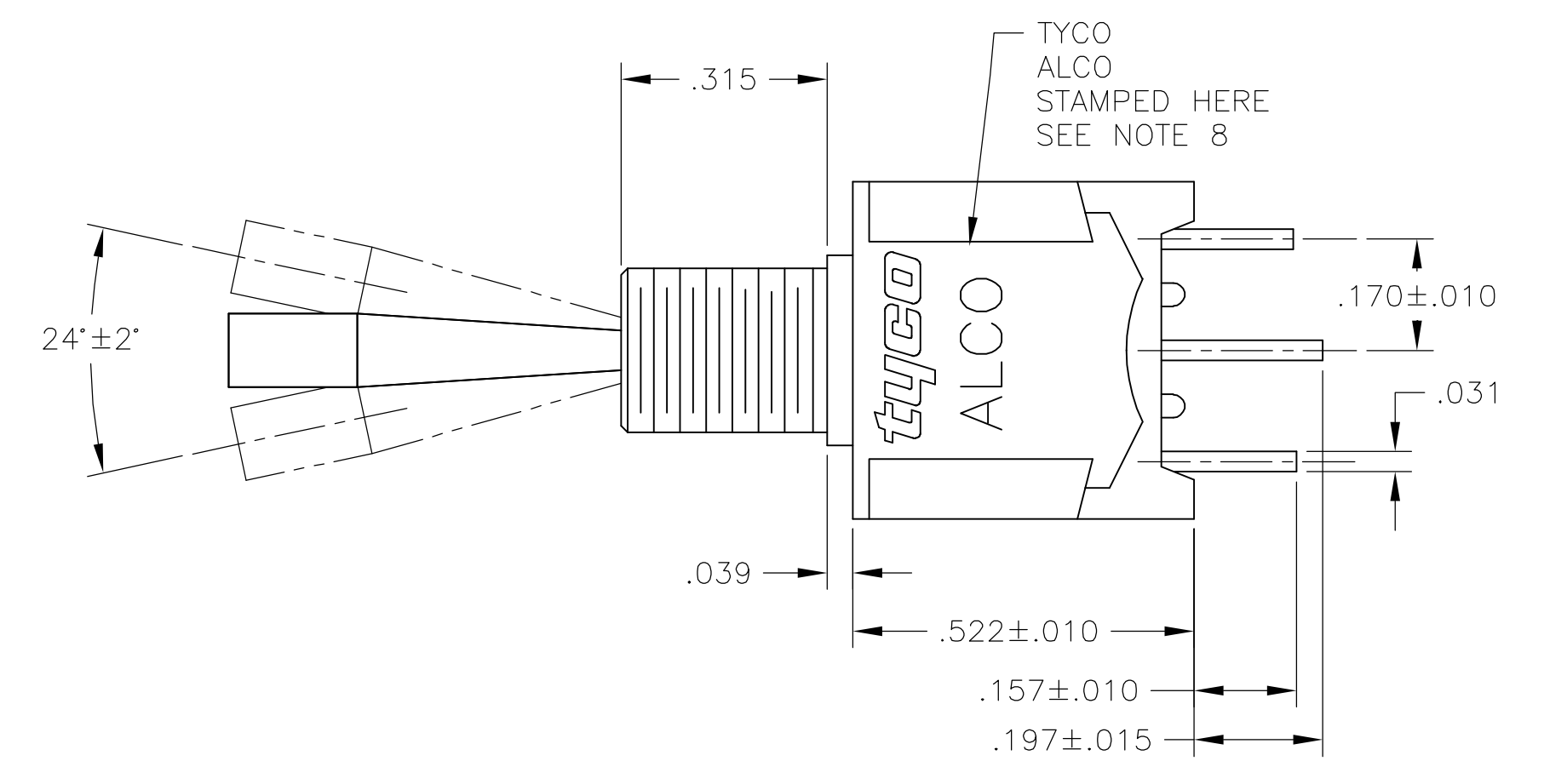
tyco Electronics Tyco Electronics Corporation Harrisburg, PA 17105-3608

ALCOSWITCH GREEN SERIES TOGGLE SWITCH MTB VERTICAL MOUNT

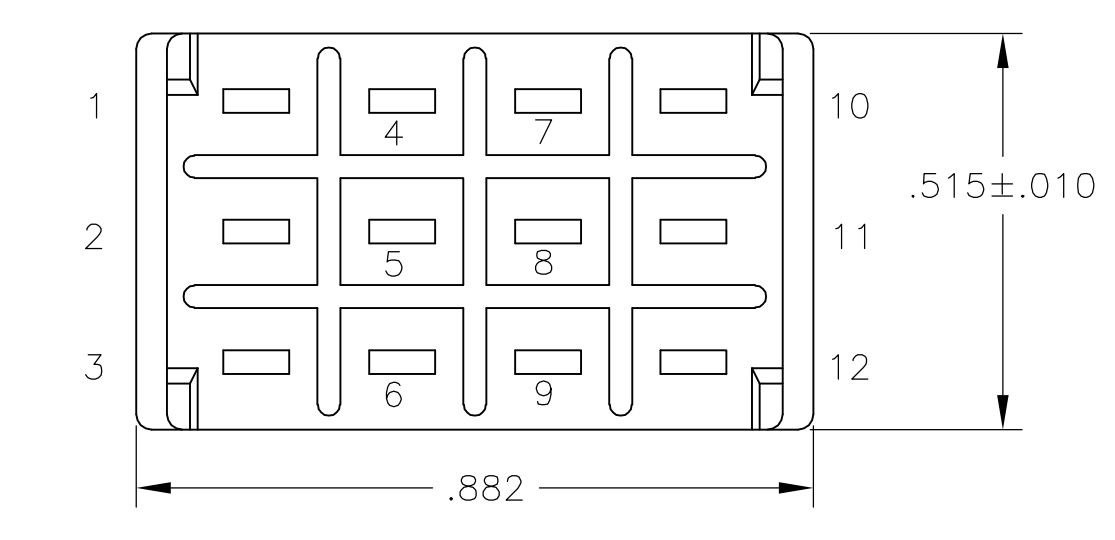


WIRE LUG TERMINAL

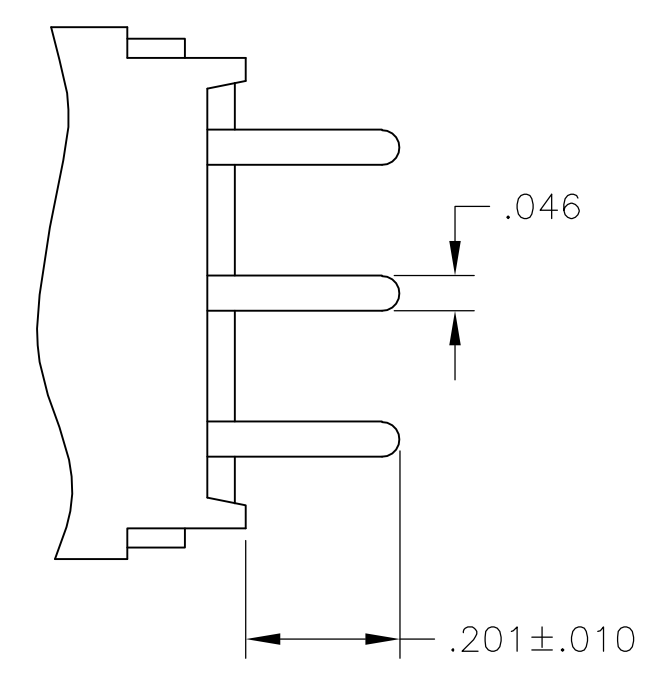
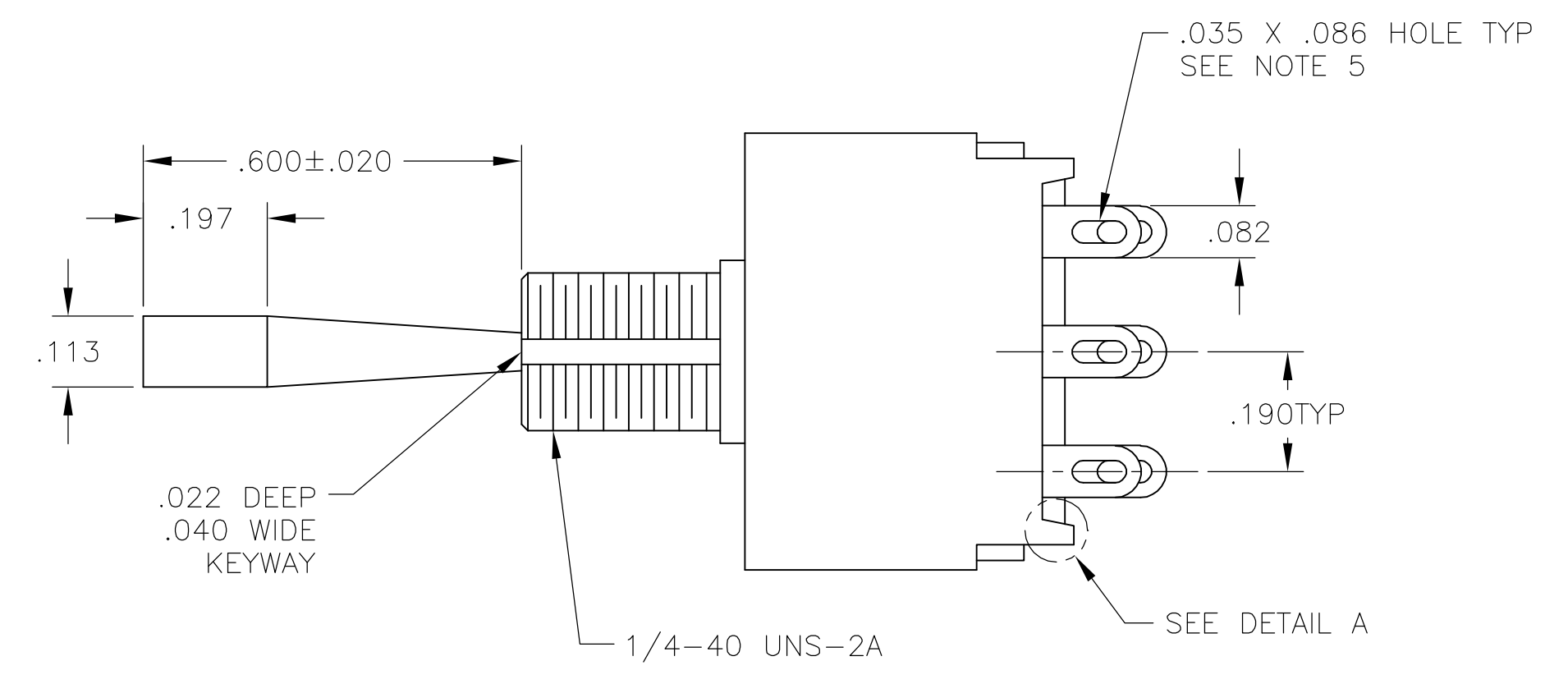
THIS DRAWING IS A CONTROLLED DOCUMENT.		DIN: BSV	10AUG04		Tyco Electronics Corporation Harrisburg, PA 17105-3608				
DIMENSIONS: INCHES		CHK: -	APVD: M. ZITTO		10AUG04	NAME: ALCOSWITCH GREEN SERIES TOGGLE SWITCH MTB VERTICAL MOUNT			
TOLERANCES UNLESS OTHERWISE SPECIFIED:		0 PLC ± -		PRODUCT SPEC: -		SIZE: A1	CAGE CODE: 00779	DRAWING NO: 1571923	RESTRICTED TO: -
1 PLC ± -		2 PLC ± -		APPLICATION SPEC: -		WEIGHT: -	SCALE: 4:1	SHEET: 2 OF 3	REV: A
3 PLC ± .005		4 PLC ± -		MATERIAL: -		CUSTOMER DRAWING			
4 PLC ANGLES ± ± 1		FINISH: -		MATERIAL: -		SCALE: 4:1		SHEET: 2 OF 3	REV: A



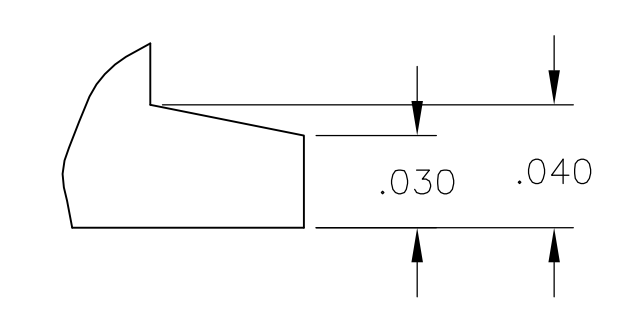
MTB306



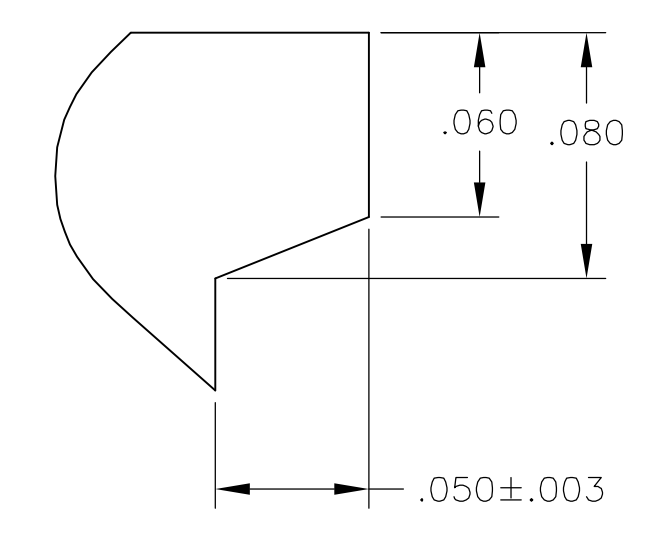
MTB406



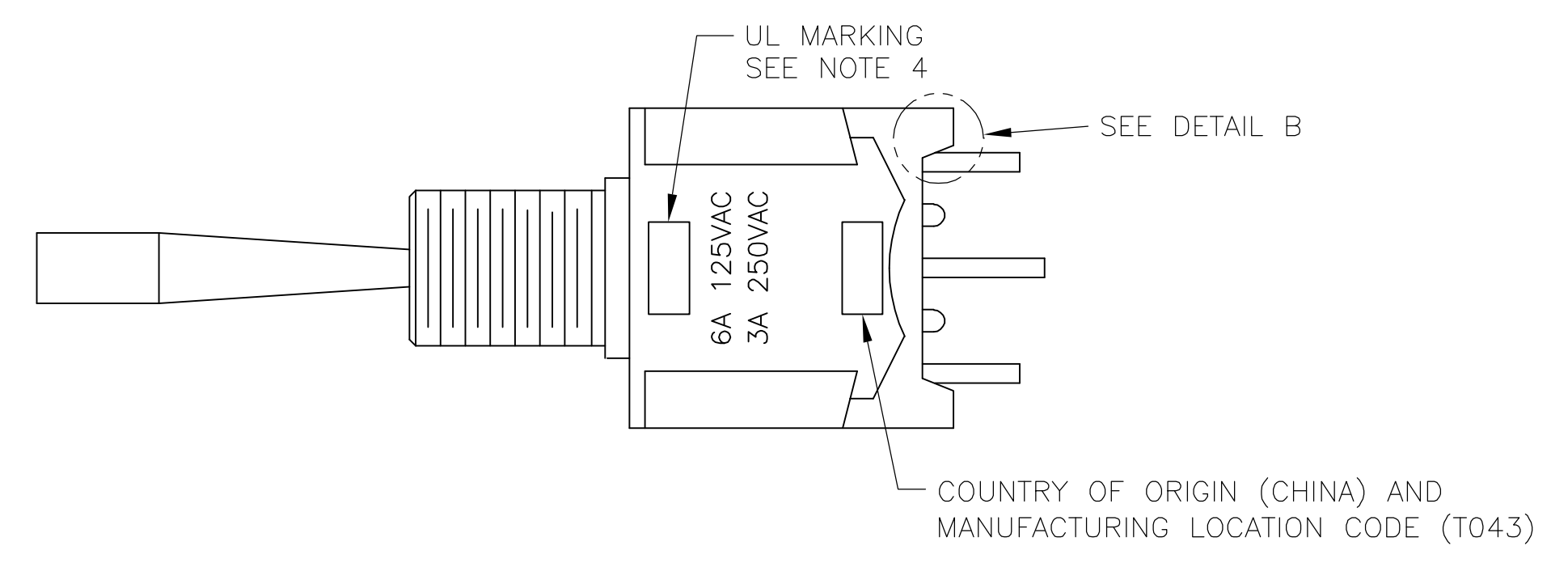
PC TERMINAL



DETAIL A
SCALE 16:1



DETAIL B
SCALE 16:1



WIRE LUG TERMINAL

THIS DRAWING IS A CONTROLLED DOCUMENT.		DWG: BSV	10AUG04	 Tyco Electronics Corporation Harrisburg, PA 17105-3608
DIMENSIONS: INCHES		CHK: -	APVD: M. ZITTO	
TOLERANCES UNLESS OTHERWISE SPECIFIED:		10AUG04		NAME: ALCOSWITCH GREEN SERIES TOGGLE SWITCH MTB VERTICAL MOUNT
0 PLC ± -	1 PLC ± -	PRODUCT SPEC		APPLICATION SPEC
2 PLC ± -	3 PLC ± .005	SIZE: A1		RESTRICTED TO
4 PLC ± -	ANGLES ± ± 1	CAGE CODE: 00779		DRAWING NO: 1571923
MATERIAL: -	FINISH: -	WEIGHT: -		CUSTOMER DRAWING
		SCALE: 4:1		SHEET 3 OF 3
				REV: A