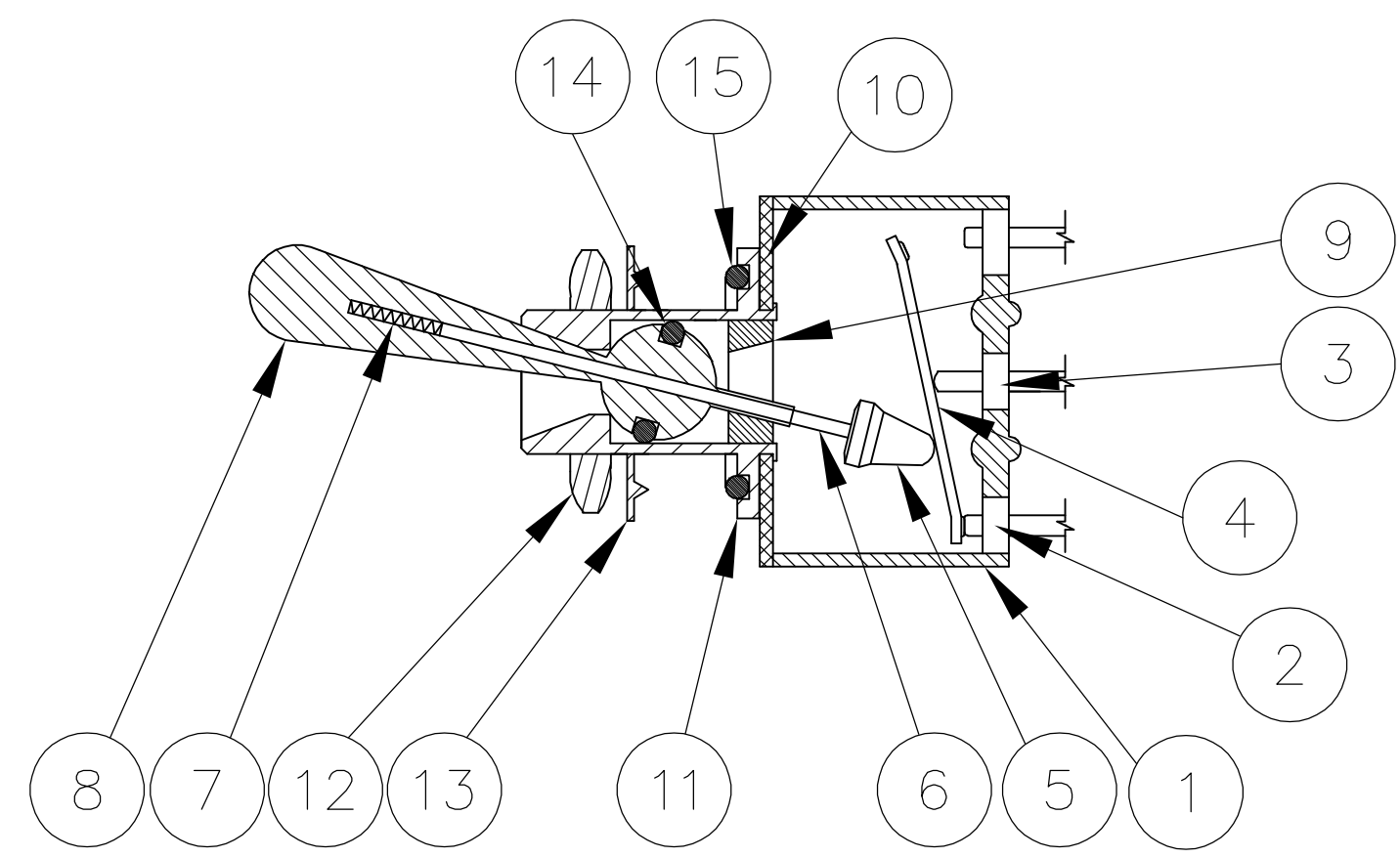
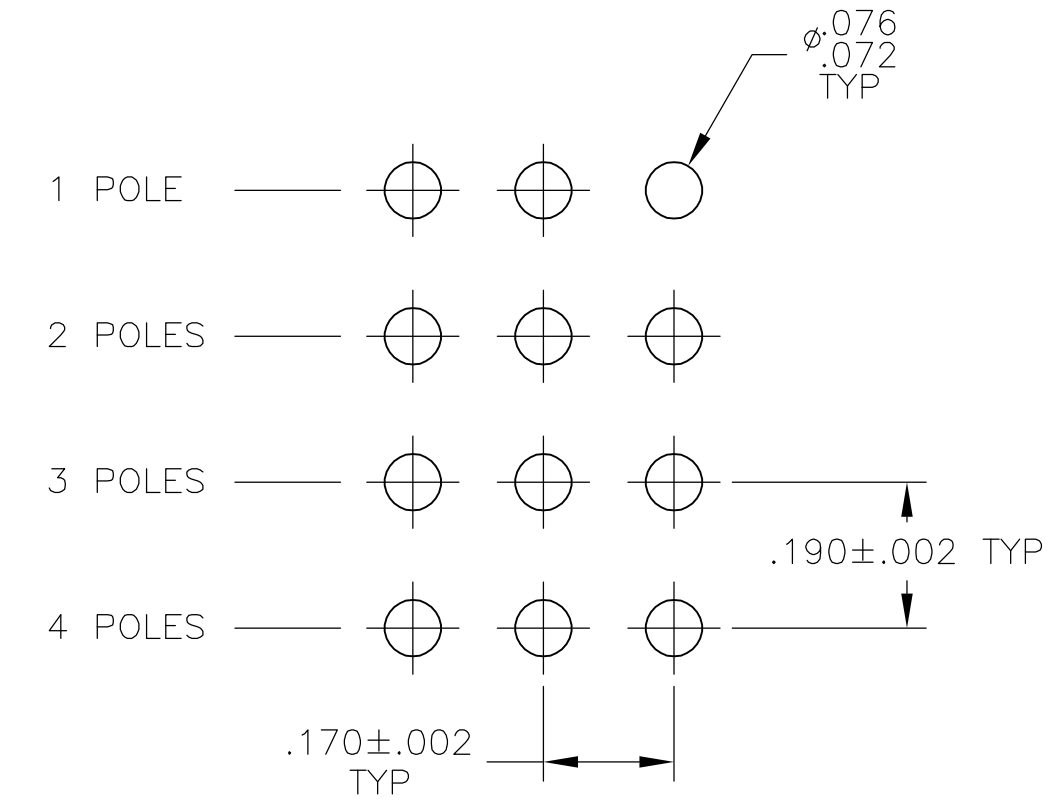
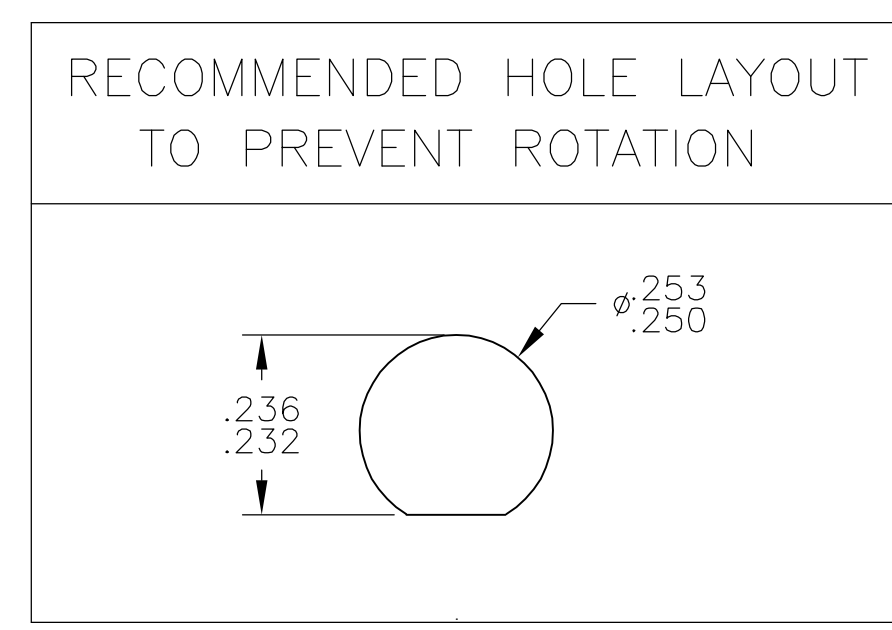


Materials			
No.	Component name	Base material	Finish
1	Housing	ALKYD, GREEN, UL94 V-0	
2	End terminal	silver clad copper alloy	5 microinches min. gold
3	Center terminal	copper alloy	5 microinches min. gold
4	Rocker contact	silver clad copper alloy	5 microinches min. gold
5	Actuator	Phenol resin, UL94 HB, black	
6	Plunger	stainless steel	
7	Spring	music wire	
8	Toggle	brass	200 microinches min. bright nickel, electrodeposited
9	Retainer	Polyamide, UL94 HB, black	
10	Frame	cold rolled steel	200 microinches min. bright nickel, electrodeposited
11	Bushing	Zinc	100 microinches min. nickel electrodeposited over 200 microinches min. copper
12	Mounting nut	brass	200 microinches min. bright nickel electrodeposited.
13	Internal tooth lockwasher		
14	O-Ring, toggle seal	steel	200 microinches min. bright nickel, electrodeposited
15	O-ring, panel seal		



NOT TO SCALE

Specifications -see note 3				
<b>Current rating UL &amp; CSA</b>	6A @ 125 VAC (resistive) 3A @ 250 VAC (resistive) 4A @ 28 VDC (resistive)			
<b>Termination resistance</b>	20 milliohms max @ 2-4 VDC, 1A			
<b>Insulation resistance</b>	1,000 megohms min.			
<b>Withstanding voltage</b>	1,000 VAC			
<b>Travel</b>	24 +/-2 degrees			
<b>Actuation force</b>	.05 to 1.5 kaf			
<b>Operating temperature</b>	-20C to +85C			
<b>Storage temperature</b>	-40C to +85C			
<b>Contact timing</b>	break before make			
<b>Terminal seal</b>	epoxy			
<b>Durability</b>	<b>Parameter</b>	<b>2 Position</b>	<b>3 Position</b>	<b>Momentary</b>
	mechanical (no load)	150,000	100,000	80,000
	250 VAC (3A resistive)	80,000	60,000	60,000
	125 VAC (6A resistive)	80,000	60,000	60,000
	28 VDC (4A resistive)	60,000	50,000	40,000



PC BOARD LAYOUT  
PC TERMINALS ONLY

Tyco P/N	Alco P/N	Poles	Throws	Function	Terminal	Terminal Diagrams	Comments	
1-1571924-9	MTE406P04	4	2	ON OFF ON	Wire lug		2-1, 5-4, 8-7, 11-10	
1-1571924-8	MTE406N04	4	2	ON ON	Wire lug		2-1, 5-4, 8-7, 11-10	
1-1571924-7	MTE306E04	3	2	ON OFF ON	Wire lug		2-1, 5-4, 8-7	
1-1571924-6	MTE306D04	3	2	ON ON	Wire lug		2-1, 5-4, 8-7	
1-1571924-5	MTE206T04	2	2	ON OFF(ON)	Wire lug		2-1, 5-4	
1-1571924-4	MTE206S04	2	2	(ON) OFF (ON)	Wire lug		2-1, 5-4	
1-1571924-3	MTE206R04	2	2	ON (ON)	Wire lug		2-1, 5-4	
1-1571924-2	MTE206PA04	1	3	ON ON ON	Wire lug		5-1 note 6	
1-1571924-1	MTE206P04	2	2	ON OFF ON	Wire lug		2-1, 5-4	
1-1571924-0	MTE206N04	2	2	ON ON	Wire lug		2-1, 5-4	
OBSOLETE	1571924-9	MTE206KPC04	2	1	ON OFF	PC	2-3, 5-6	OFF
OBSOLETE	1571924-8	MTE206K04	2	1	ON OFF	Wire lug	2-3, 5-6	OFF
	1571924-7	MTE106H04	1	2	ON OFF (ON)	Wire lug	2-3	OFF
	1571924-6	MTE106G04	1	2	(ON) OFF (ON)	Wire lug	2-3	OFF
	1571924-5	MTE106F04	1	2	ON (ON)	Wire lug	2-3	---
	1571924-4	MTE106E04	1	2	ON OFF ON	Wire lug	2-3	Off
	1571924-3	MTE106D04	1	2	ON ON	Wire lug	2-3	---
OBSOLETE	1571924-2	MTE106APC04	1	1	ON OFF	PC	2-3	---
OBSOLETE	1571924-1	MTE106A04	1	1	ON OFF	Wire lug	2-3	---

- NOTES:
- TERMINAL NUMBERS ARE FOR REFERENCE ONLY AND DO NOT APPEAR ON THE SWITCHES.
  - EACH SWITCH SUPPLIED WITH THE FOLLOWING MOUNTING HARDWARE:  
 (1) 1/4-40 UNS-2B HEX NUT  
 (1) INTERNAL TOOTH LOCKWASHER  
 (1) O-RING
  - SWITCHES TESTED TO AND MEET THE REQUIREMENTS OF UL 61058-1A, SWITCHES FOR APPLIANCES SWITCHES WILL ALSO BE TESTED TO AND MEET THE REQUIREMENTS OF TYCO 102-2469, REV 0, MINIATURE SWITCH QUALIFICATION REQUIREMENTS.
  - SWITCHES ARE PENDING UL RECOGNITION TO US AND CANADIAN STANDARDS.
  - WIRE LUG CONTACTS WILL ACCEPT 2 #20 AWG SOLID OR STRANDED WIRES.
  - CUSTOMER INSTALLED EXTERNAL JUMPER BETWEEN TERMINALS 2 AND 4 REQUIRED FOR 1 POLE 3 THROW FUNCTION.
  - SWITCHES ARE MARKED PER TYCO SPEC 202-37 WITH ALCO BENEATH TYCO AS SHOWN.
  - ALL MATERIALS AND FINISHES SHALL COMPLY WITH EU DIRECTIVE 2002/95/EC OF 27JAN2003 (ROHS).

THIS DRAWING IS A CONTROLLED DOCUMENT. DWN: BSV, CHK: [blank], DATE: 06AUG04

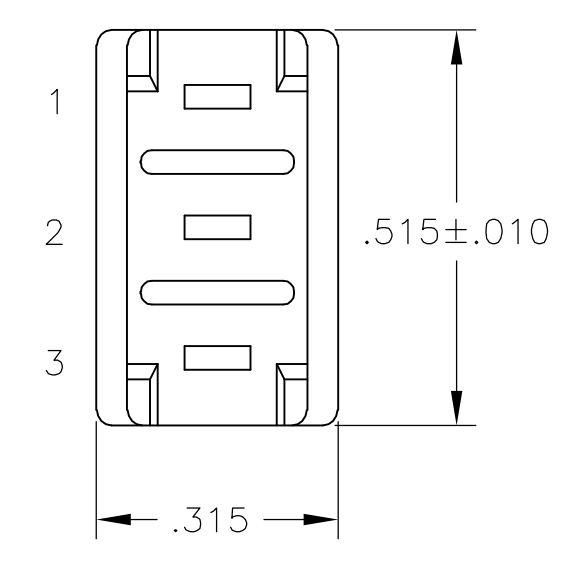
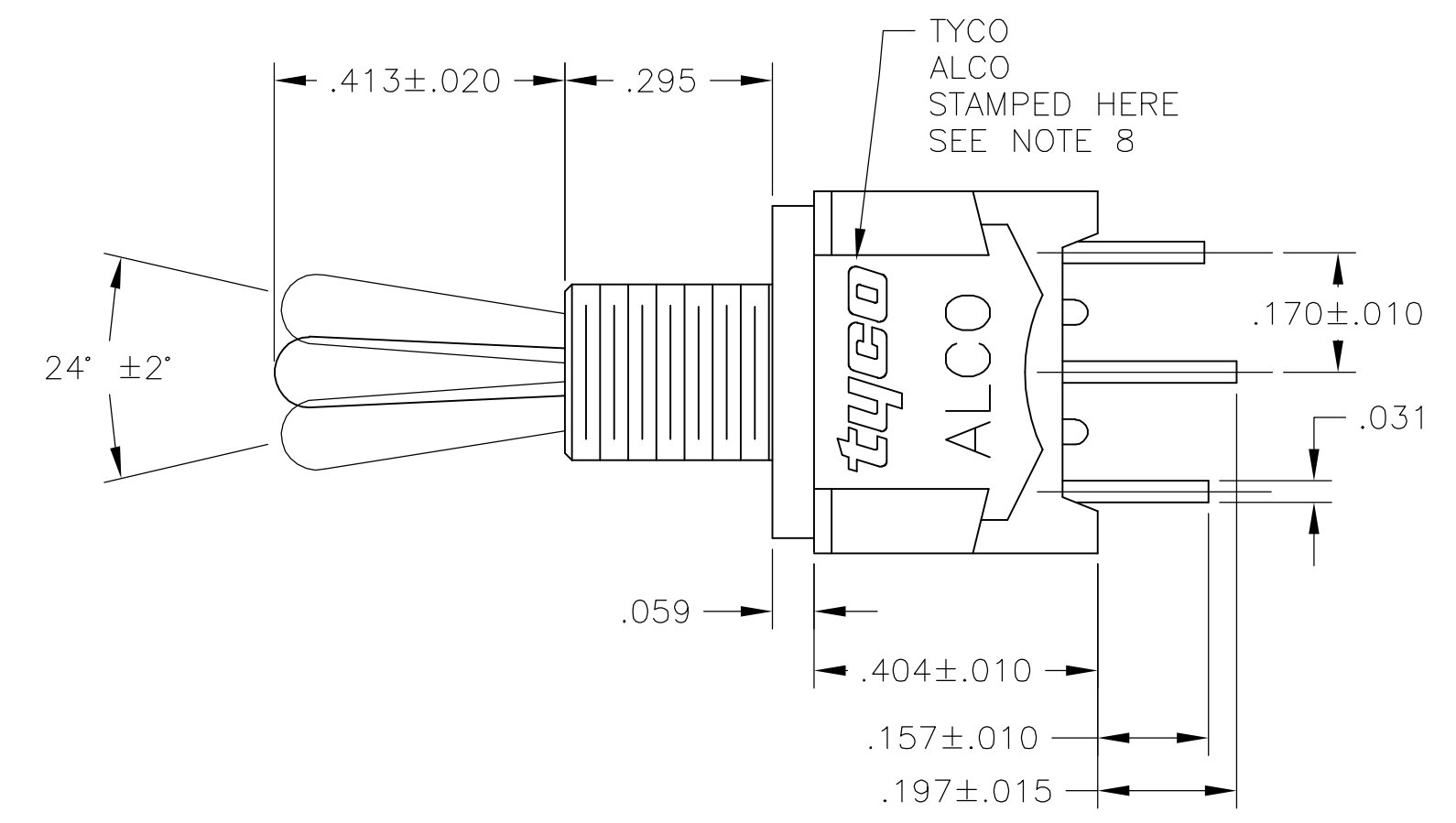
tyco Electronics Tyco Electronics Corporation Harrisburg, PA 17105-3608

NAME: M. ZITTO  
 PRODUCT SPEC: ALCO SWITCH GREEN SERIES TOGGLE SWITCH MTE VERTICAL MOUNT  
 APPLICATION SPEC: [blank]

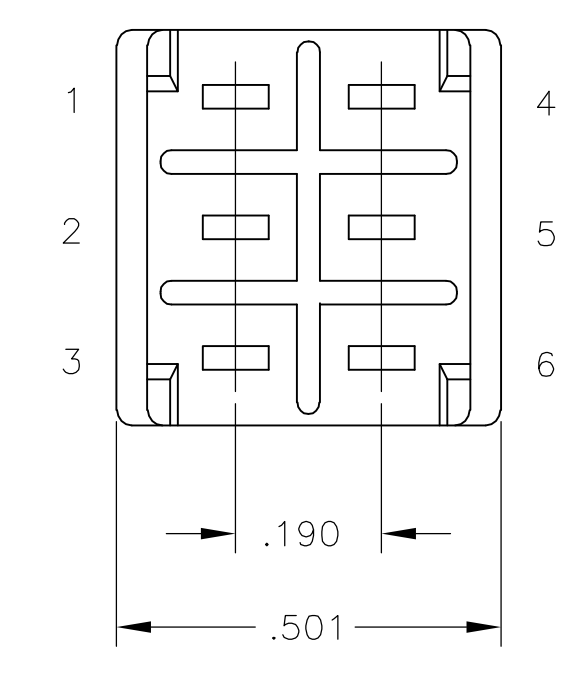
SIZE: A1, CAGE CODE: 00779, DRAWING NO: 1571924, RESTRICTED TO: [blank]

CUSTOMER DRAWING, SCALE: 4:1, SHEET: 1 of 3, REV: A

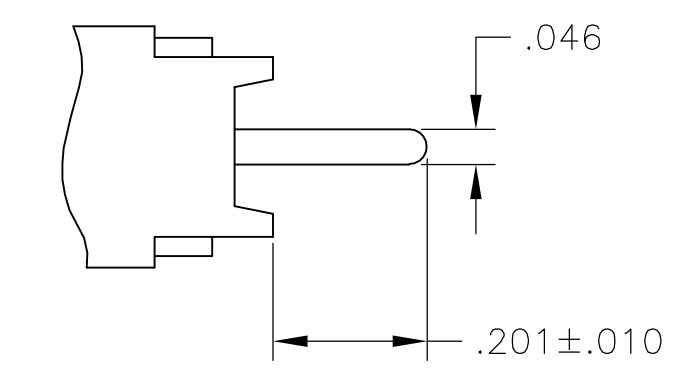
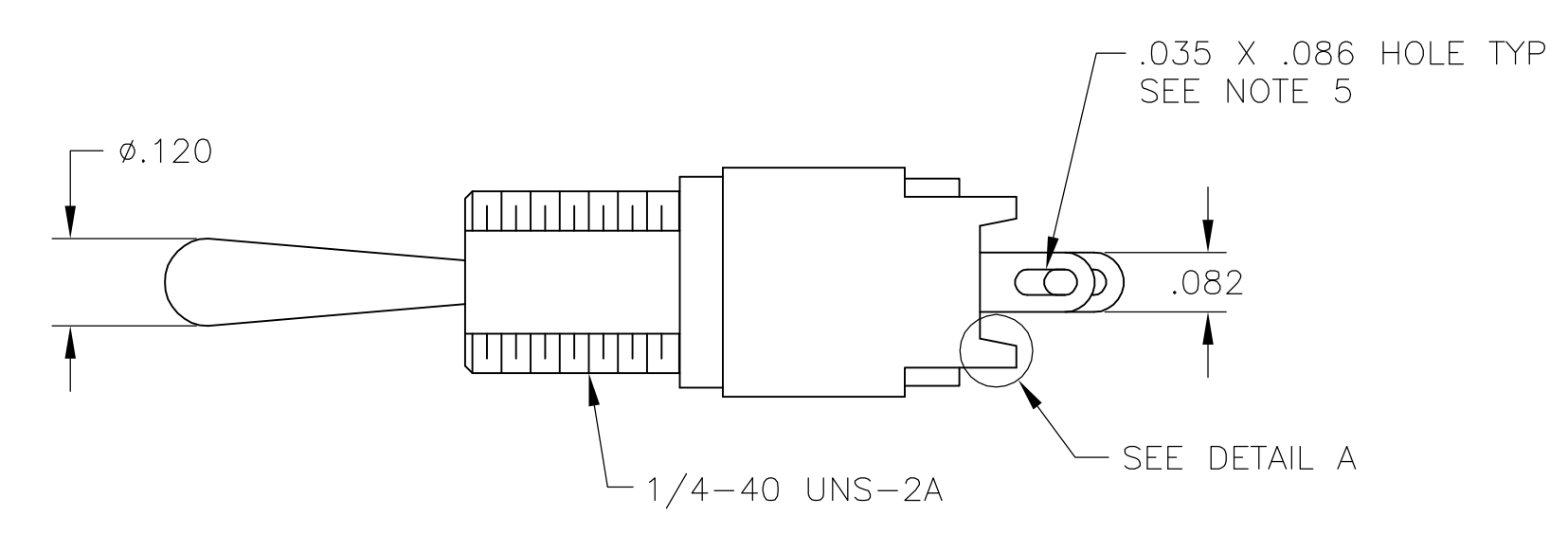
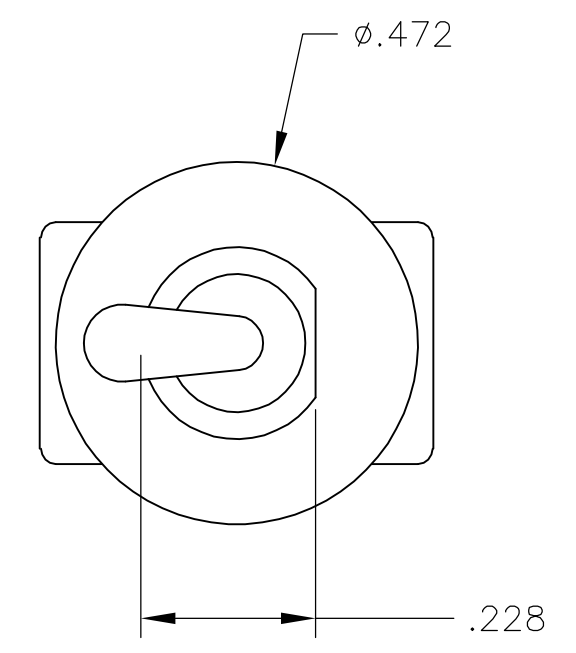
LOC		DIST		REVISIONS			
AD	00	REV	DATE	DESCRIPTION	DATE	BY	APPV
		1		SEE SHEET 1			



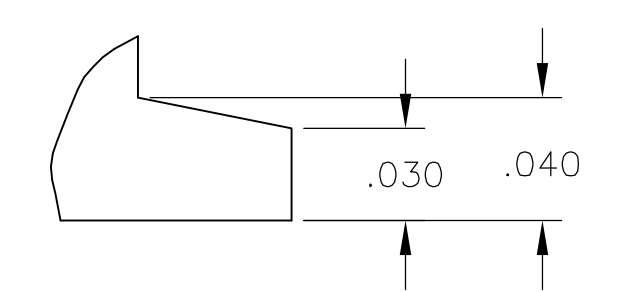
MTE106



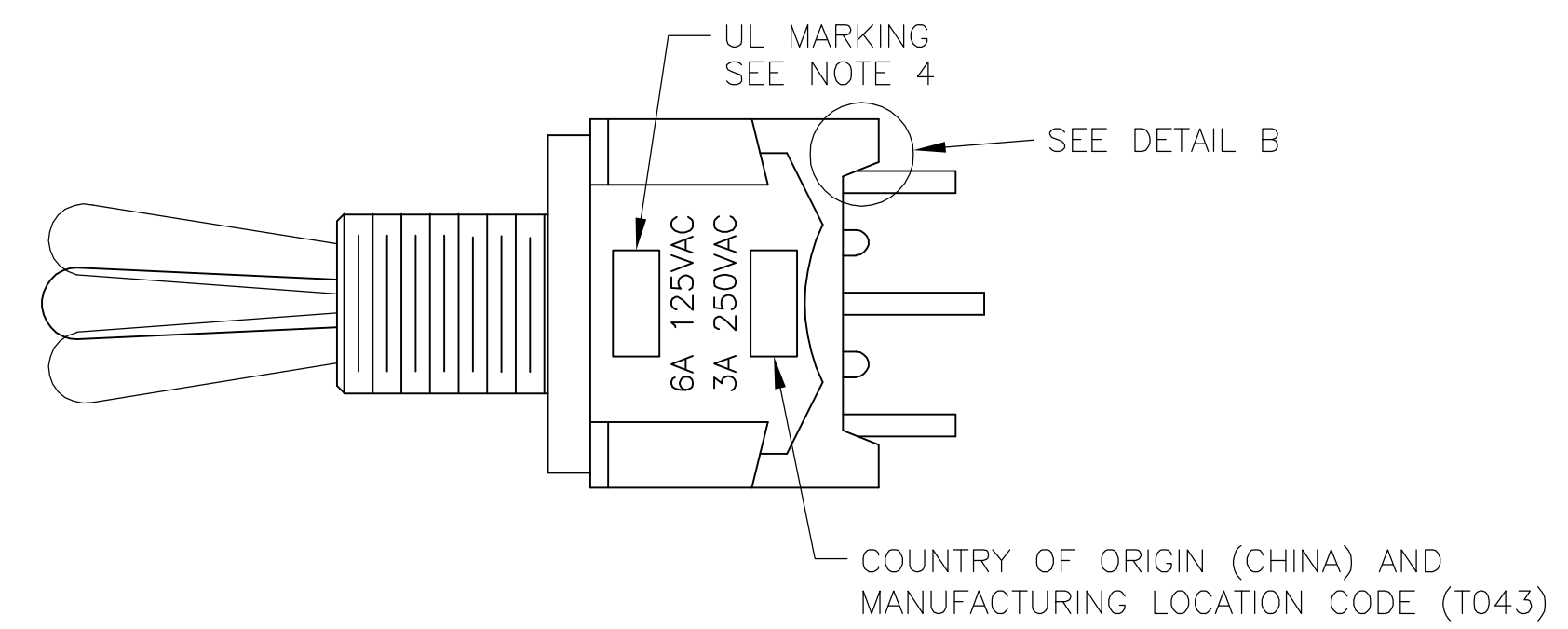
MTE206



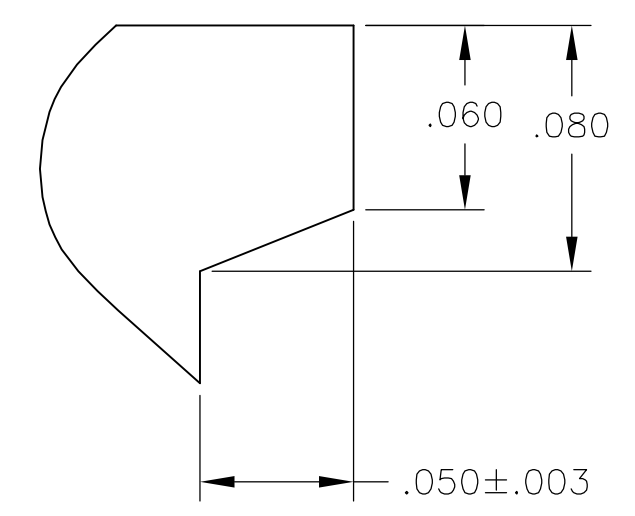
PC TERMINAL



DETAIL A  
SCALE 16:1

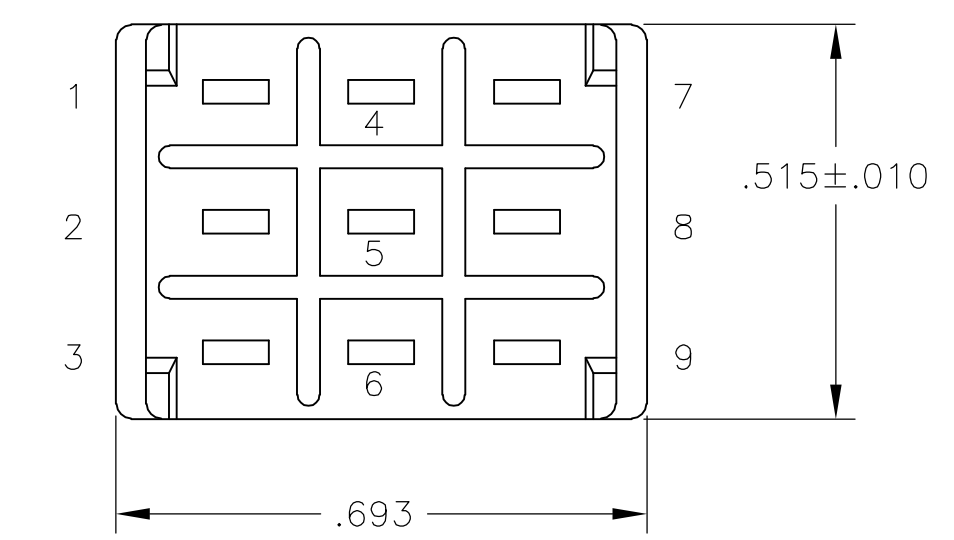
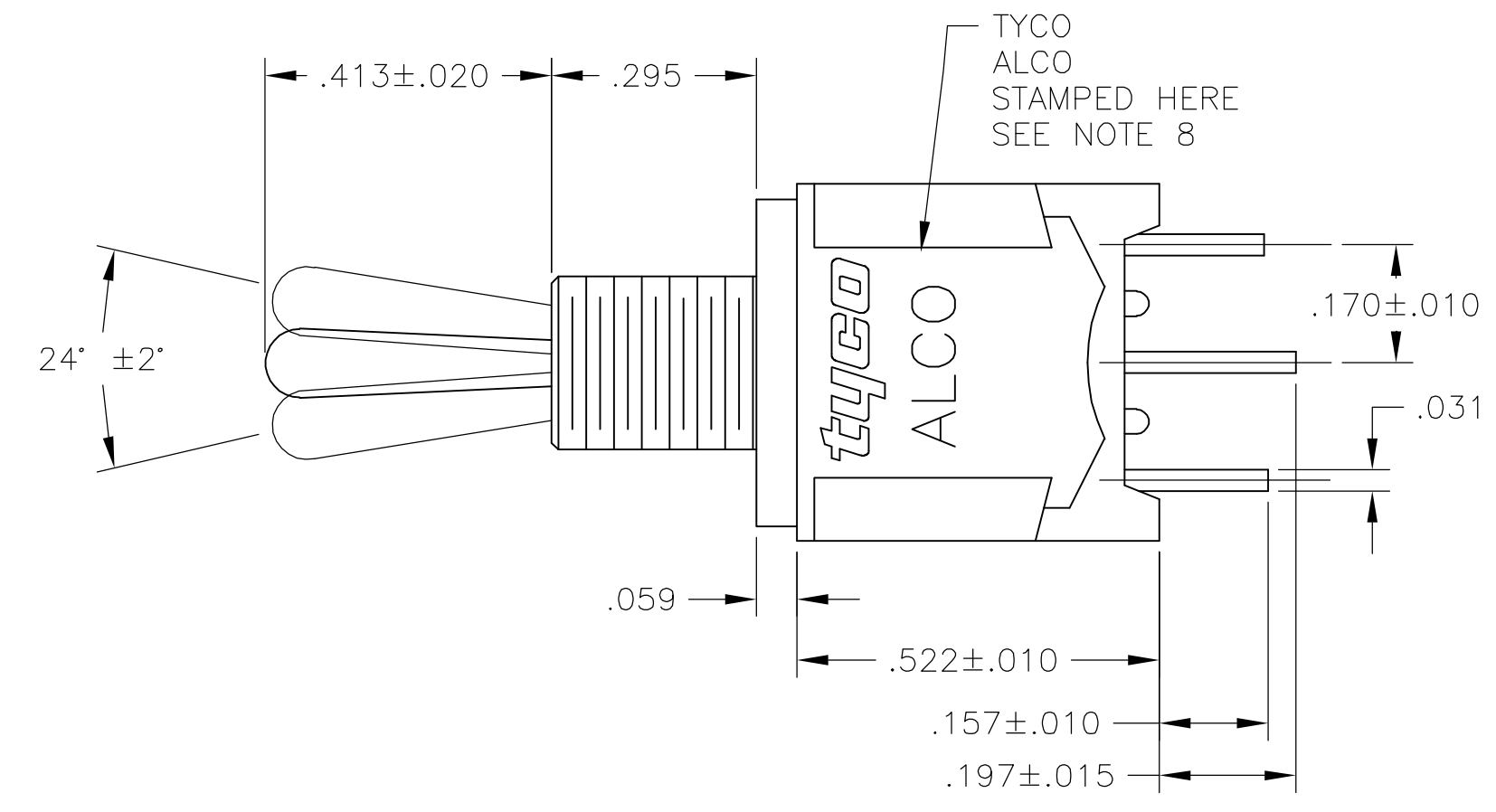


WIRE LUG TERMINAL

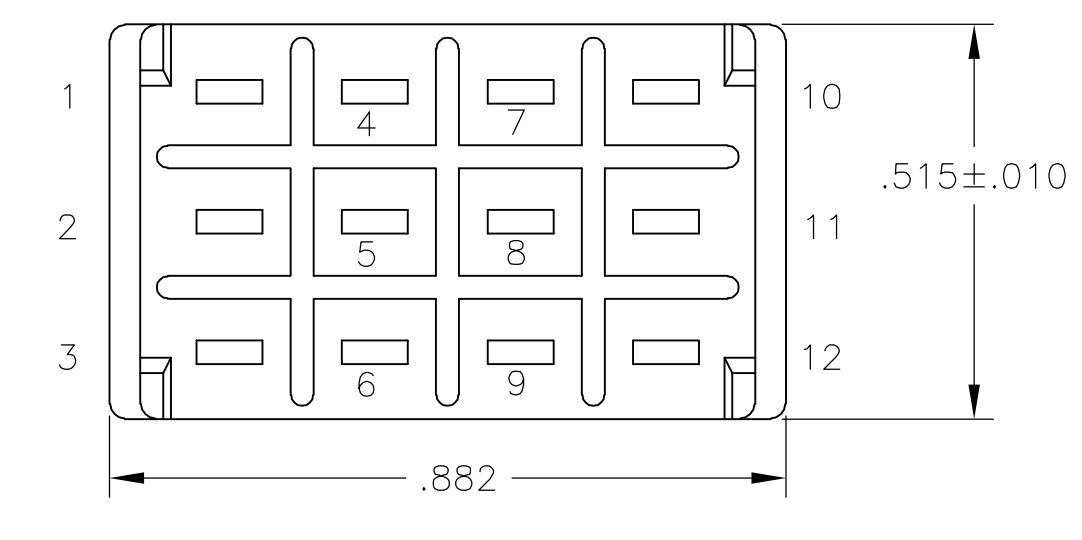


DETAIL B  
SCALE 16:1

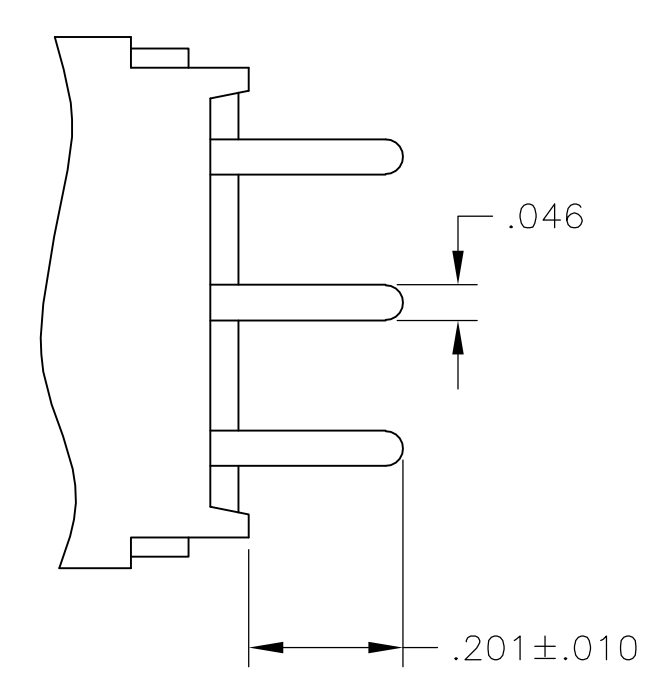
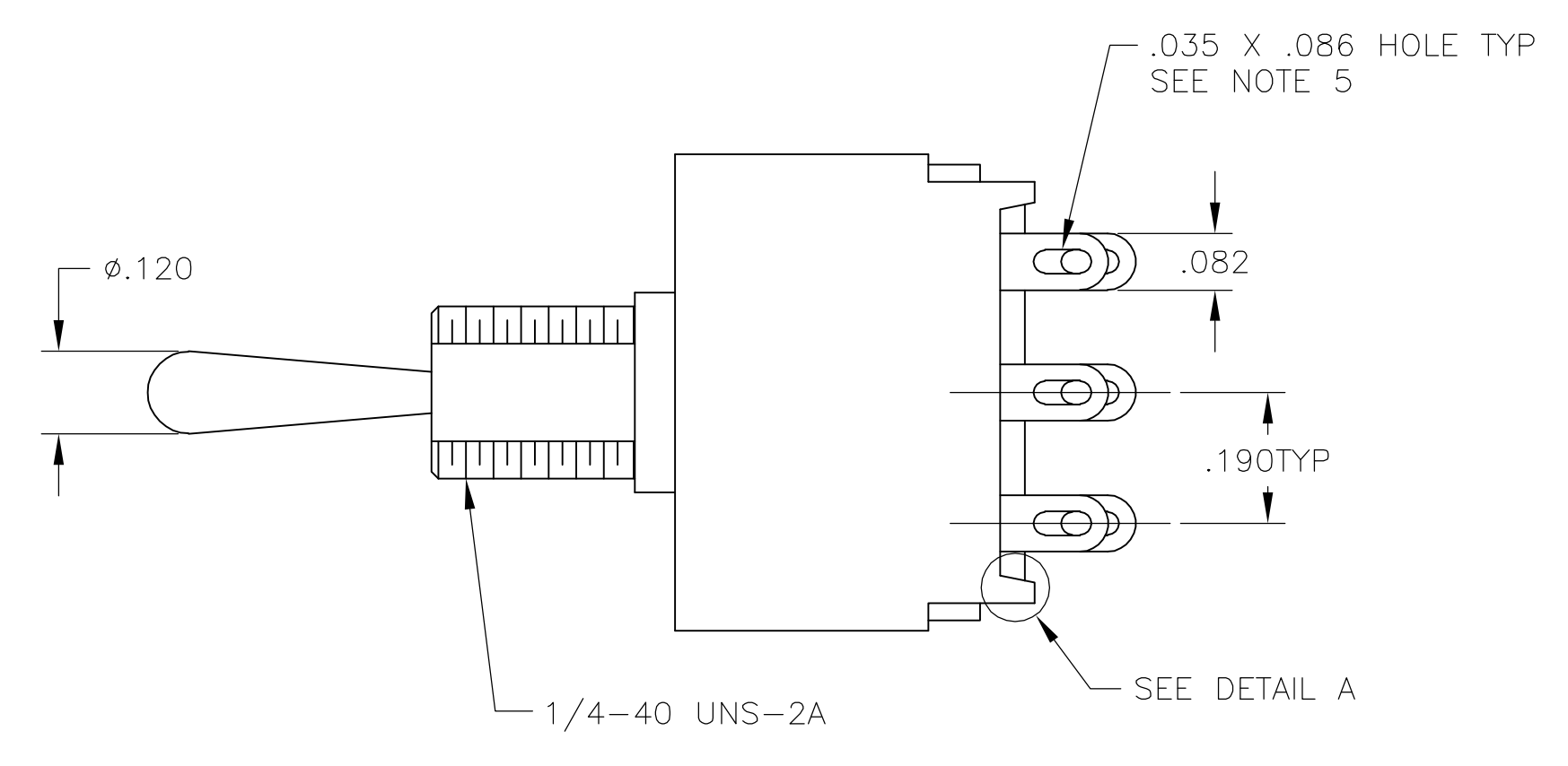
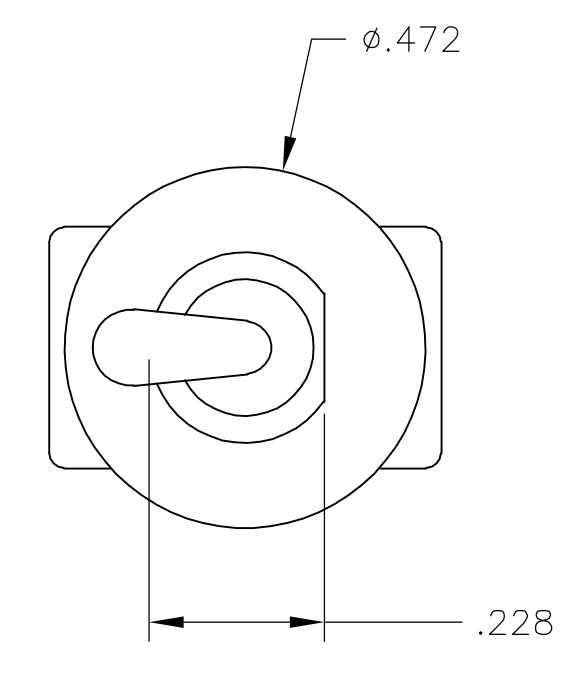
THIS DRAWING IS A CONTROLLED DOCUMENT.		DWG: BSV	DEAUG04	Tyco Electronics Corporation Harrisburg, PA 17105-3608																			
DIMENSIONS: INCHES		TOLERANCES UNLESS OTHERWISE SPECIFIED:		NAME: M. ZITTO																			
<table border="1"> <tr><td>0 PLC</td><td>±</td><td>-</td></tr> <tr><td>1 PLC</td><td>±</td><td>-</td></tr> <tr><td>2 PLC</td><td>±</td><td>-</td></tr> <tr><td>3 PLC</td><td>±</td><td>005</td></tr> <tr><td>4 PLC</td><td>±</td><td>-</td></tr> <tr><td>ANGLES</td><td>±</td><td>1</td></tr> </table>		0 PLC	±	-	1 PLC	±	-	2 PLC	±	-	3 PLC	±	005	4 PLC	±	-	ANGLES	±	1	APVD: M. ZITTO		PRODUCT SPEC: ALCOSWITCH GREEN SERIES TOGGLE SWITCH MTE VERTICAL MOUNT	
0 PLC	±	-																					
1 PLC	±	-																					
2 PLC	±	-																					
3 PLC	±	005																					
4 PLC	±	-																					
ANGLES	±	1																					
MATERIAL: -		FINISH: -		APPLICATION SPEC: -																			
WEIGHT: -		SIZE: A1		CAGE CODE: 00779																			
CUSTOMER DRAWING		DRAWING NO: 1571924		RESTRICTED TO: -																			
SCALE: 4:1		SHEET: 2 OF 3		REV: A																			



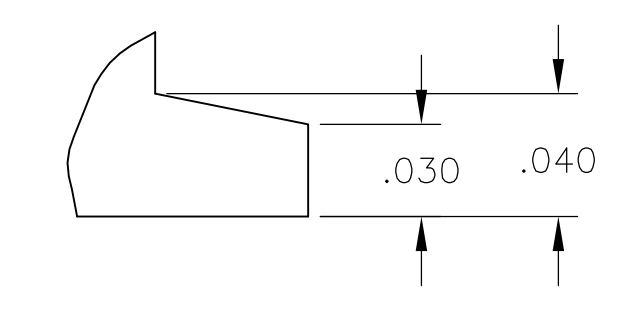
MTE306



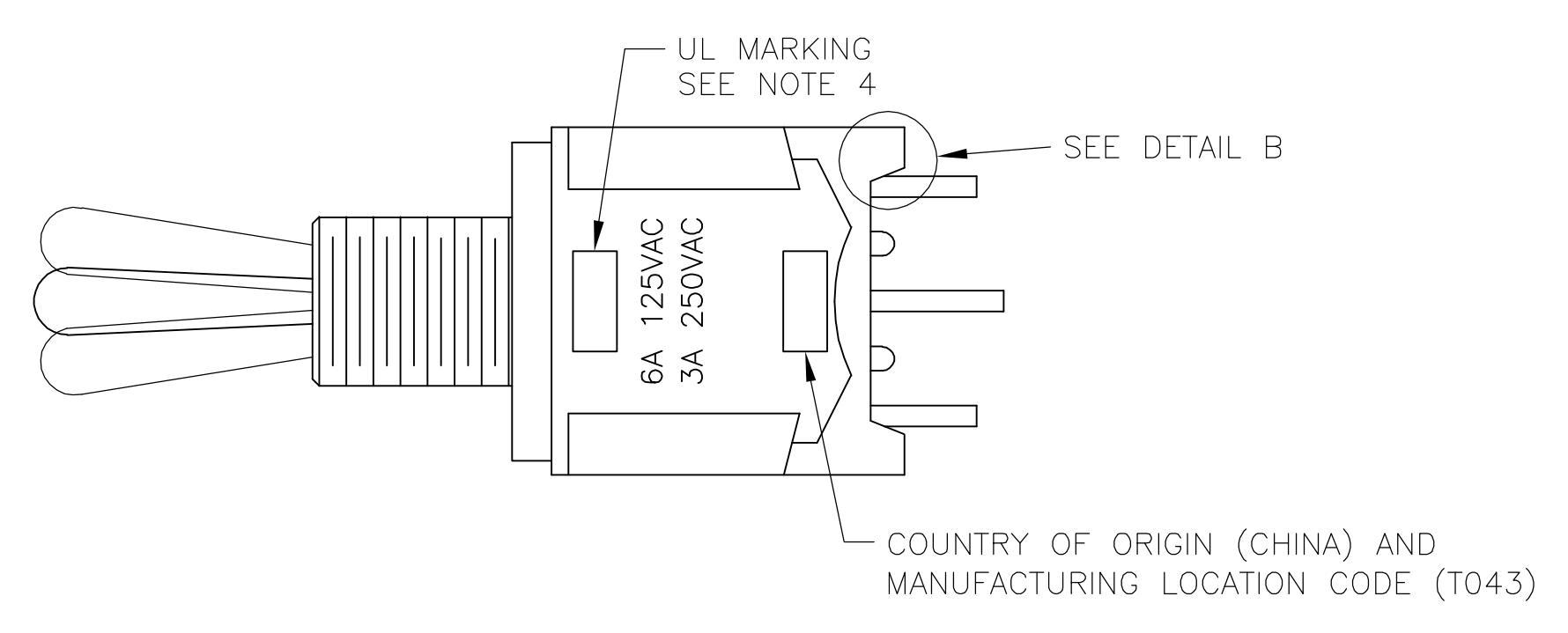
MTE406



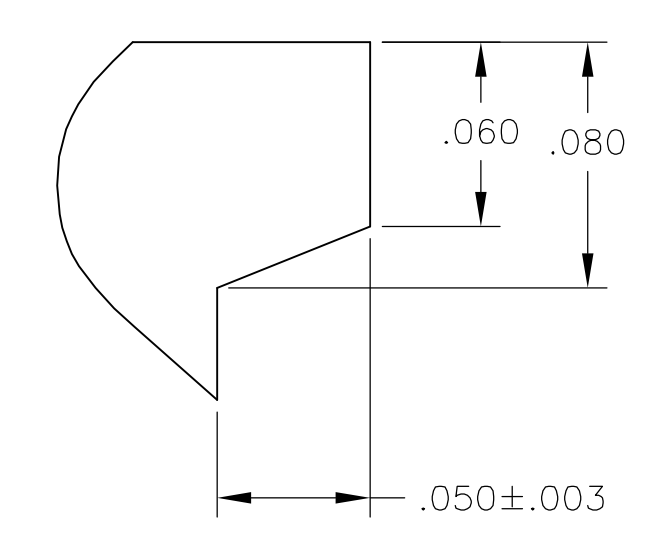
PC TERMINAL



DETAIL A  
SCALE 16:1



WIRE LUG TERMINAL



DETAIL B  
SCALE 16:1

THIS DRAWING IS A CONTROLLED DOCUMENT.		DWN: BSV	DEAUG04		Tyco Electronics Corporation Harrisburg, PA 17105-3608
DIMENSIONS: INCHES		CHK: -	APRO: M. ZITTO		NAME: ALCO SWITCH GREEN SERIES TOGGLE SWITCH MTE VERTICAL MOUNT
TOLERANCES UNLESS OTHERWISE SPECIFIED: 0 PLC ± - 1 PLC ± - 2 PLC ± - 3 PLC ± .005 4 PLC ± - ANGLES ± 1		APPLICATION SPEC: -		SIZE: A1	CAGE CODE: 00779
MATERIAL: -		WEIGHT: -		DRAWING NO: 1571924	
CUSTOMER DRAWING		SCALE: 4:1		SHEET 3 OF 3 REV A	