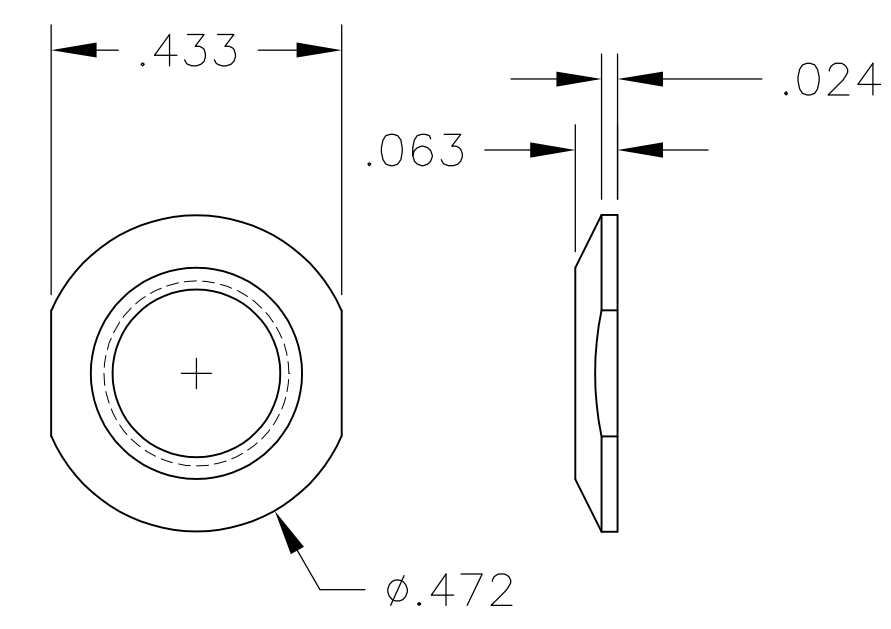
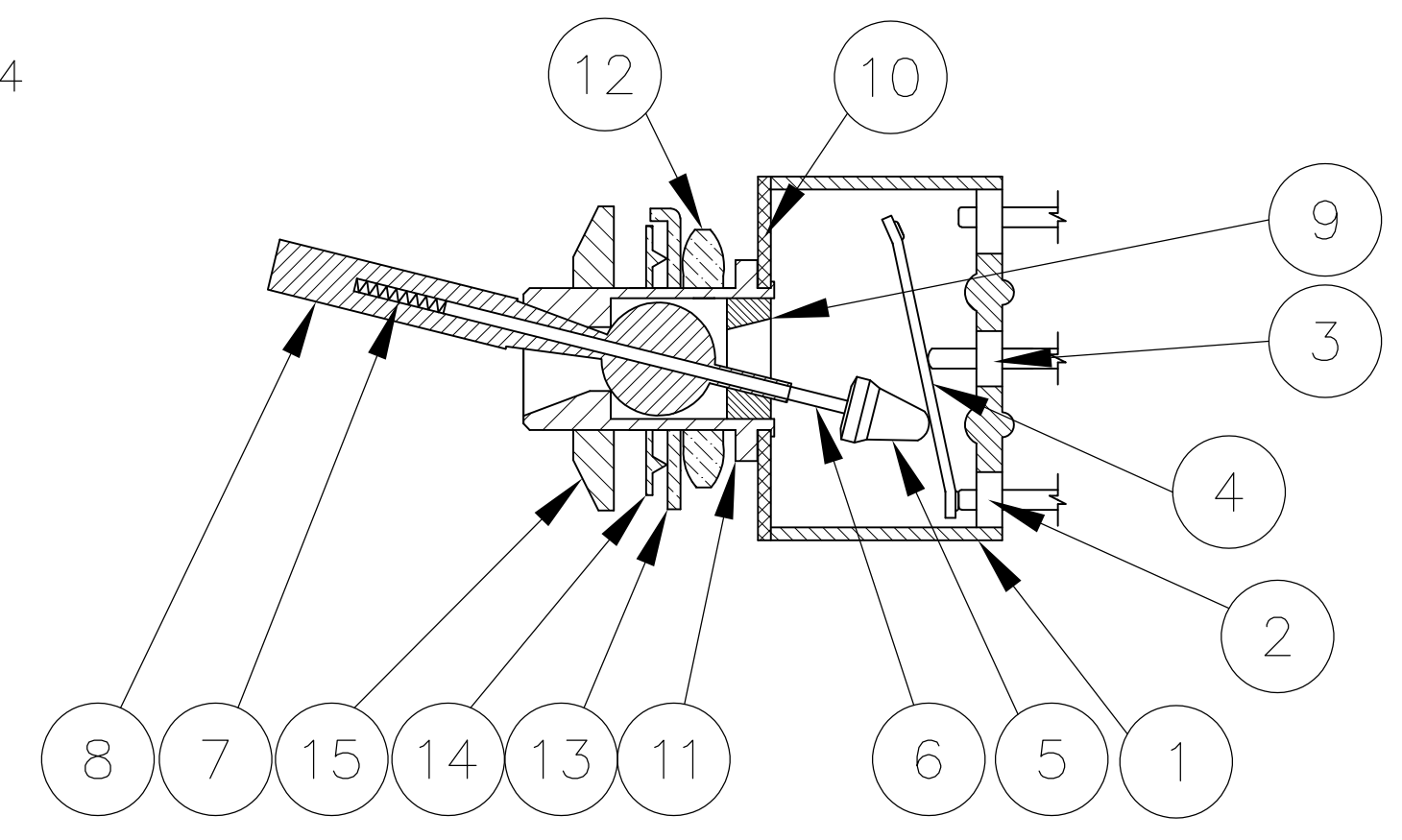


Materials			
No.	Component name	Base material	Finish (see chart)
1	Housing	ALKYD, GREEN, UL94 V-0	
2	End terminal	silver clad copper alloy	5 microinches min. gold
3	Center terminal	copper alloy	5 microinches min. gold
4	Rocker contact	silver clad copper alloy	5 microinches min. gold
5	Actuator	Phenol resin, UL94 HB, black	
6	Plunger	stainless steel	
7	Spring	music wire	
8	Toggle	Zinc	100 microinches min. bright nickel, electrodeposited
9	Retainer	Polyamide, UL94 HB, black	
10	Frame	STAINLESS STEEL	PASSIVATED
11	Bushing	Zinc	100 microinches min. nickel electrodeposited over 200 microinches min. copper
12	Mounting nut	Brass	100 microinches min. bright nickel electrodeposited.
13	Locating ring	cold rolled steel	100 microinches min. bright nickel, electrodeposited
14	Internal tooth lockwasher	steel	100 microinches min. bright nickel, electrodeposited
15	Dress Nut	Brass	100 microinches min. bright nickel, electrodeposited

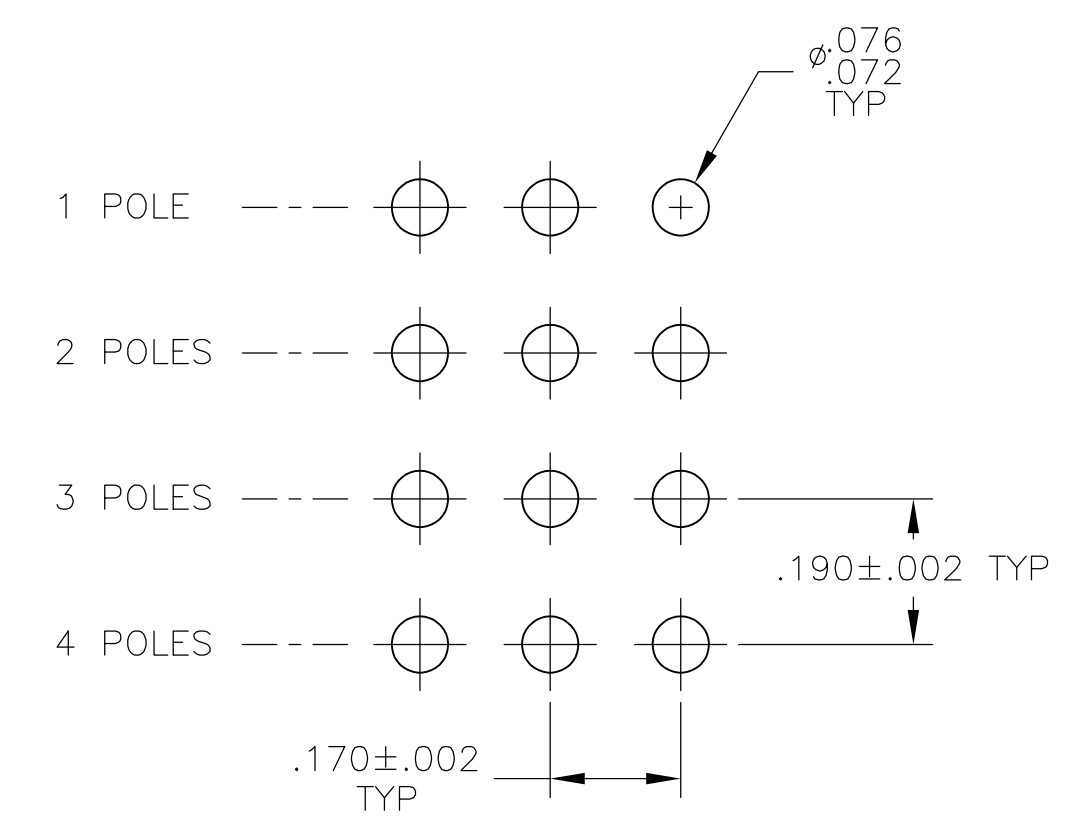
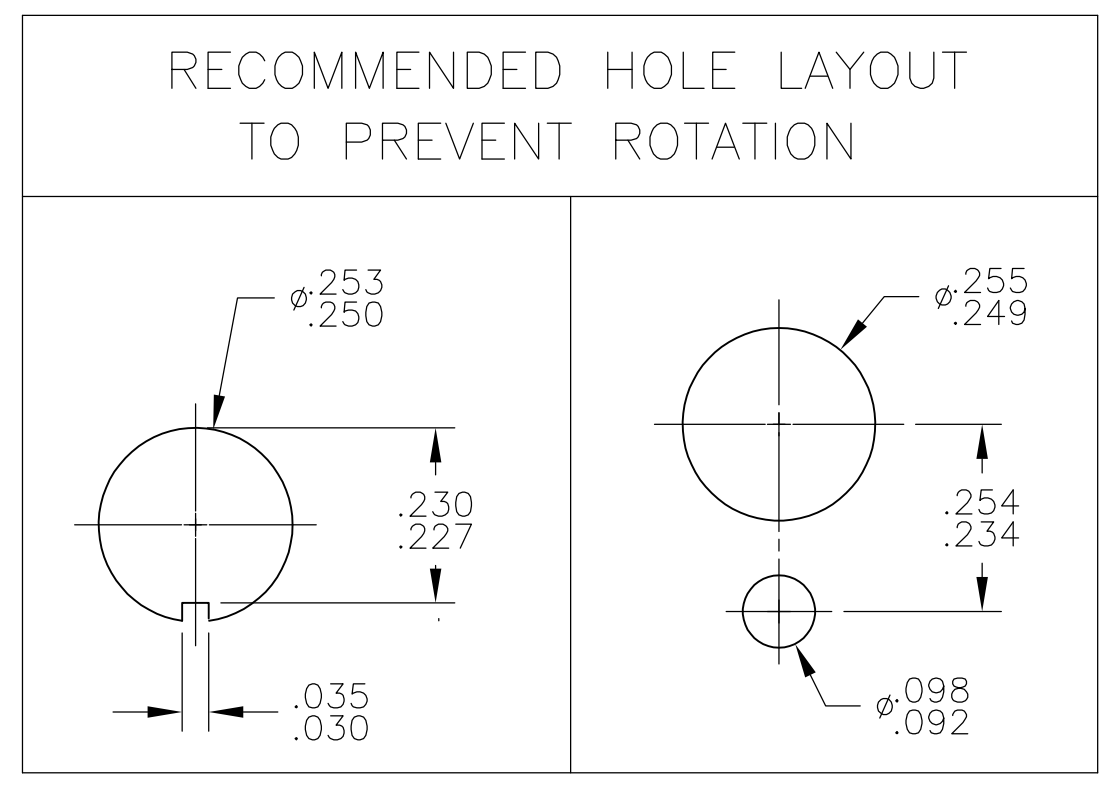


DRESS NUT

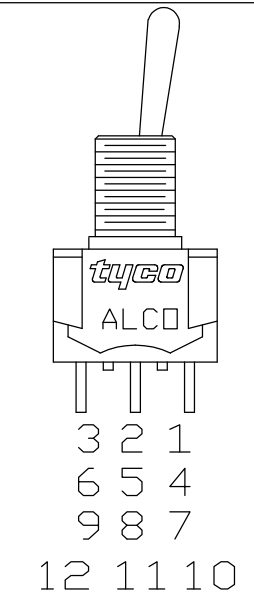
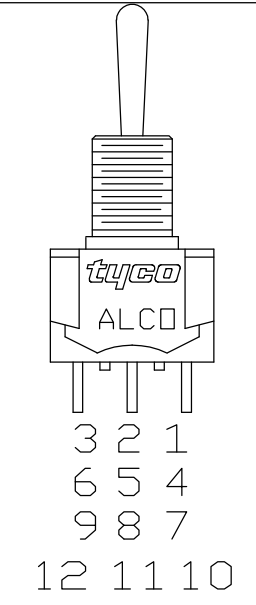
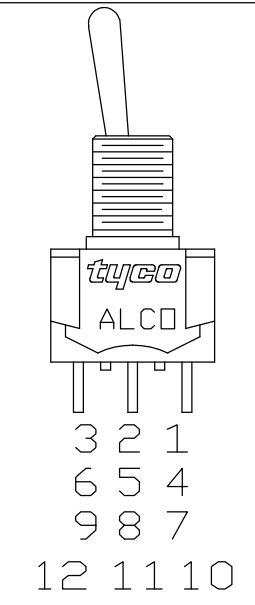


NOT TO SCALE

Specifications-see note 3				
<b>Current rating UL &amp; CSA</b>	6A @ 125 VAC (resistive) 3A @ 250 VAC (resistive) 4A @ 28 VDC (resistive)			
<b>Termination resistance</b>	20 milliohms max @ 2-4 VDC, 1A			
<b>Insulation resistance</b>	1,000 megohms min.			
<b>Withstanding voltage</b>	1,000 VAC			
<b>Travel</b>	24 +/- 2 degrees			
<b>Actuation force</b>	.05 to 1.5 kgf			
<b>Operating temperature</b>	-20C to +85C			
<b>Storage temperature</b>	-40C to +85C			
<b>Contact timing</b>	break before make			
<b>Terminal seal</b>	epoxy			
<b>Durability</b>	<b>Parameter</b>	<b>2 Position</b>	<b>3 Position</b>	<b>Momentary</b>
	mechanical (no load)	150,000	100,000	80,000
	250 VAC (3A resistive)	80,000	60,000	60,000
	125 VAC (6A resistive)	80,000	60,000	60,000
	28 VDC (4A resistive)	60,000	50,000	40,000



- TERMINAL NUMBERS ARE FOR REFERENCE ONLY AND DO NOT APPEAR ON THE SWITCHES.
- EACH SWITCH SUPPLIED WITH THE FOLLOWING MOUNTING HARDWARE:  
 (1) 1/4-40 UNS-2B HEX NUT  
 (1) INTERNAL TOOTH LOCKWASHER  
 (1) LOCATING RING  
 (1) DRESS NUT
- SWITCHES TESTED TO AND MEET THE REQUIREMENTS OF UL 61058-1A, SWITCHES FOR APPLIANCES SWITCHES WILL ALSO BE TESTED TO AND MEET THE REQUIREMENTS OF TE 102-2469, REV O, MINIATURE SWITCH QUALIFICATION REQUIREMENTS.
- SWITCHES ARE PENDING UL RECOGNITION TO US AND CANADIAN STANDARDS.
- WIRE LUG CONTACTS WILL ACCEPT 2 #20 AWG SOLID OR STRANDED WIRES.
- CUSTOMER INSTALLED EXTERNAL JUMPER BETWEEN TERMINALS 2 AND 4 REQUIRED FOR 1 POLE 3 THROW FUNCTION.
- SWITCHES ARE MARKED PER TE SPEC 202-37 WITH ALCO BENEATH LOGO AS SHOWN.
- ALL MATERIALS AND FINISHES SHALL COMPLY WITH EU DIRECTIVE 2002/95/EC OF 27JAN2003 (ROHS).
- CASE LENGTH .512.

PART NUMBER	Alco P/N	Poles	Throws	Function	Terminal	Toggle Finish				Comments
3-1571925-4	MTF426N04	4	2	ON ON	Wire lug	bright nickel	2-3, 5-6, 8-9, 11-12	---	2-1, 5-4, 8-7, 11-10	
3-1571925-3	MTF406N04	4	2	ON ON	Wire lug	matte nickel	2-3, 5-6, 8-9, 11-12	---	2-1, 5-4, 8-7, 11-10	
3-1571925-2	MTF326D04	3	2	ON ON	Wire lug	bright nickel	2-3, 5-6, 8-9	---	2-1, 5-4, 8-7	
3-1571925-1	MTF306D04	3	2	ON ON	Wire lug	matte nickel	2-3, 5-6, 8-9	---	2-1, 5-4, 8-7	
3-1571925-0	MTF226SA04	1	3	(ON) ON (ON)	Wire lug	bright nickel	5-6	5-3	5-1	note 6
2-1571925-9	MTF226S04	2	2	(ON) OFF (ON)	Wire lug	bright nickel	2-3, 5-6	Off	2-1, 5-4	
2-1571925-8	MTF226R04	2	2	ON (ON)	Wire lug	bright nickel	2-3, 5-6	---	2-1, 5-4	
2-1571925-7	MTF226PA04	1	3	ON ON ON	Wire lug	bright nickel	5-6	5-3	5-1	note 6
2-1571925-6	MTF226P04	2	2	ON OFF ON	Wire lug	bright nickel	2-3, 5-6	Off	2-1, 5-4	
2-1571925-5	MTF226N04	2	2	ON ON	Wire lug	bright nickel	2-3, 5-6	---	2-1, 5-4	
OBSOLETE 2-1571925-4	MTF226KPC04	2	1	ON OFF	PC	bright nickel	2-3, 5-6	--	OFF	
OBSOLETE 2-1571925-3	MTF226K04	2	1	ON OFF	Wire lug	bright nickel	2-3, 5-6	--	OFF	
2-1571925-2	MTF206T04	2	2	ON OFF(ON)	Wire lug	matte nickel	2-3, 5-6	Off	2-1, 5-4	
2-1571925-1	MTF206SA04	1	3	(ON) ON (ON)	Wire lug	matte nickel	5-6	5-3	5-1	note 6
2-1571925-0	MTF206S04	2	2	(ON) OFF (ON)	Wire lug	matte nickel	2-3, 5-6	Off	2-1, 5-4	
1-1571925-9	MTF206R04	2	2	ON (ON)	Wire lug	matte nickel	2-3, 5-6	---	2-1, 5-4	
1-1571925-8	MTF206PA04	1	3	ON ON ON	Wire lug	matte nickel	5-6	5-3	5-1	note 6
1-1571925-7	MTF206P04	2	2	ON OFF ON	Wire lug	matte nickel	2-3, 5-6	Off	2-1, 5-4	
1-1571925-6	MTF206N04	2	2	ON ON	Wire lug	matte nickel	2-3, 5-6	---	2-1, 5-4	
OBSOLETE 1-1571925-5	MTF206KPC04	2	1	ON OFF	PC	matte nickel	2-3, 5-6	---	OFF	
OBSOLETE 1-1571925-4	MTF206K04	2	1	ON OFF	Wire lug	matte nickel	2-3, 5-6	---	OFF	
1-1571925-3	MTF126G04	1	2	(ON) OFF (ON)	Wire lug	bright nickel	2-3	Off	2-1	
1-1571925-2	MTF126F04	1	2	ON (ON)	Wire lug	bright nickel	2-3	---	2-1	
1-1571925-1	MTF126E04	1	2	ON OFF ON	Wire lug	bright nickel	2-3	Off	2-1	
1-1571925-0	MTF126D04	1	2	ON ON	Wire lug	bright nickel	2-3	---	2-1	
OBSOLETE 1571925-9	MTF126APC04	1	1	ON OFF	PC	bright nickel	2-3	---	OFF	
OBSOLETE 1571925-8	MTF126A04	1	1	ON OFF	Wire lug	bright nickel	2-3	---	OFF	
1571925-7	MTF106H04	1	2	ON OFF(ON)	Wire lug	matte nickel	2-3	Off	2-1	
1571925-6	MTF106G04	1	2	(ON) OFF (ON)	Wire lug	matte nickel	2-3	Off	2-1	
1571925-5	MTF106F04	1	2	ON (ON)	Wire lug	matte nickel	2-3	---	2-1	
1571925-4	MTF106E04	1	2	ON OFF ON	Wire lug	matte nickel	2-3	Off	2-1	
1571925-3	MTF106D04	1	2	ON ON	Wire lug	matte nickel	2-3	---	2-1	
OBSOLETE 1571925-2	MTF106APC04	1	1	ON OFF	PC	matte nickel	2-3	---	OFF	
OBSOLETE 1571925-1	MTF106A04	1	1	ON OFF	Wire lug	matte nickel	2-3	---	OFF	

THIS DRAWING IS A CONTROLLED DOCUMENT. DWN BSV DBAU004

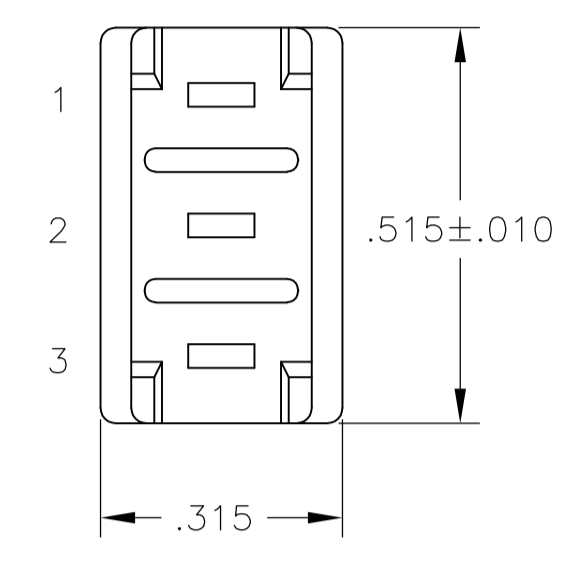
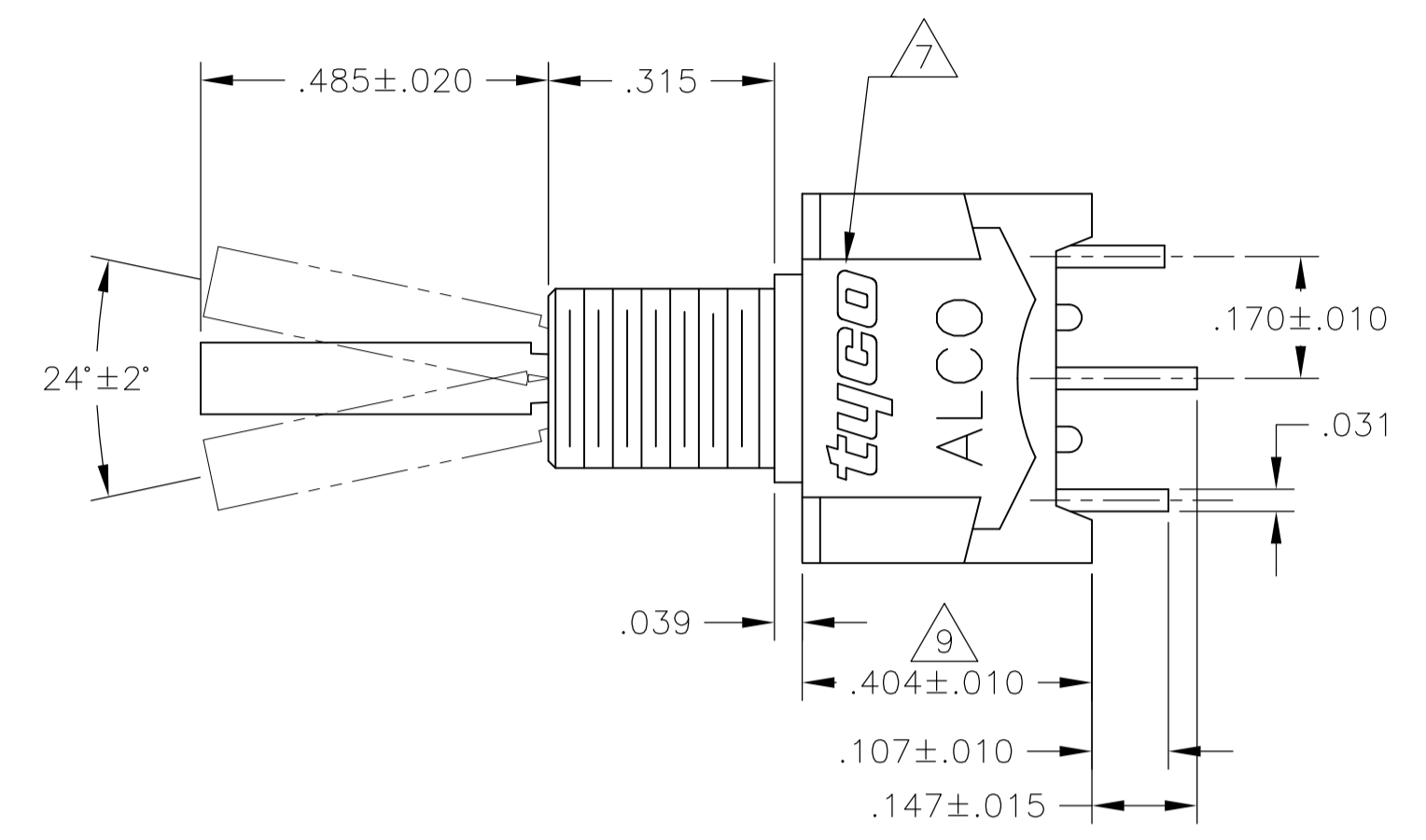
Tyco Electronics Tyco Electronics Corporation Harrisburg, PA 17105-3608

NAME: M. ZITTO

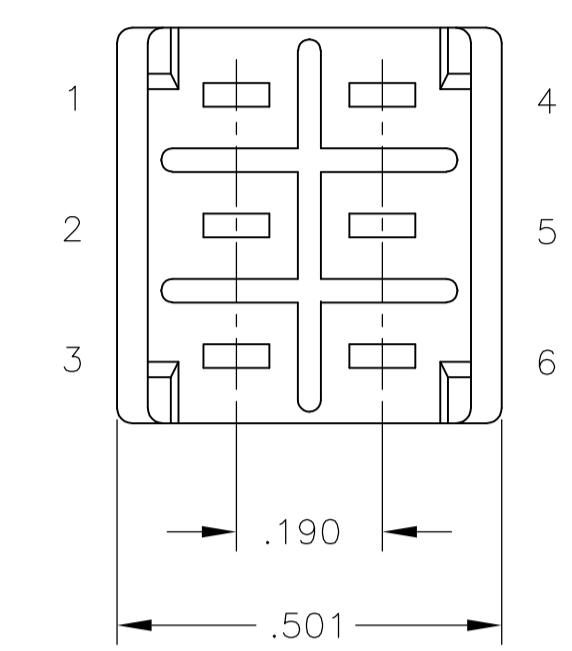
ALCOSWITCH GREEN SERIES TOGGLE SWITCH MTF VERTICAL MOUNT

SIZE: A1 CAGE CODE: 00779 DRAWING NO: 1571925

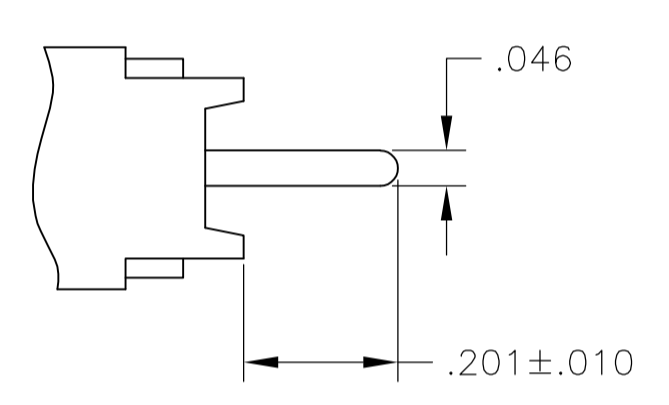
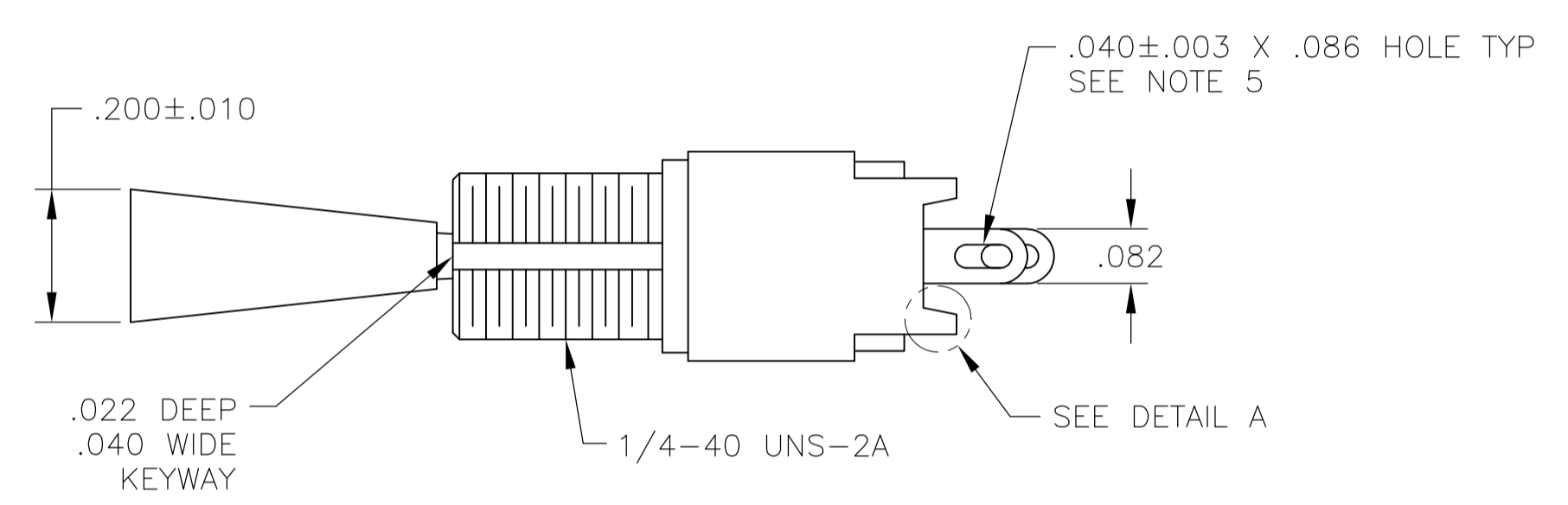
CUSTOMER DRAWING SCALE: 4:1 SHEET: 1 OF 3 REV: B2



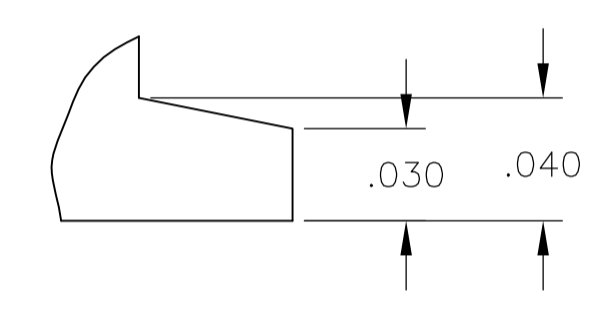
MTF106



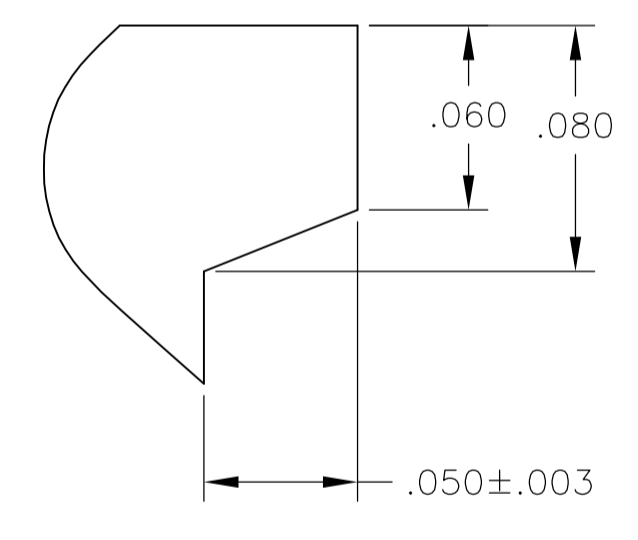
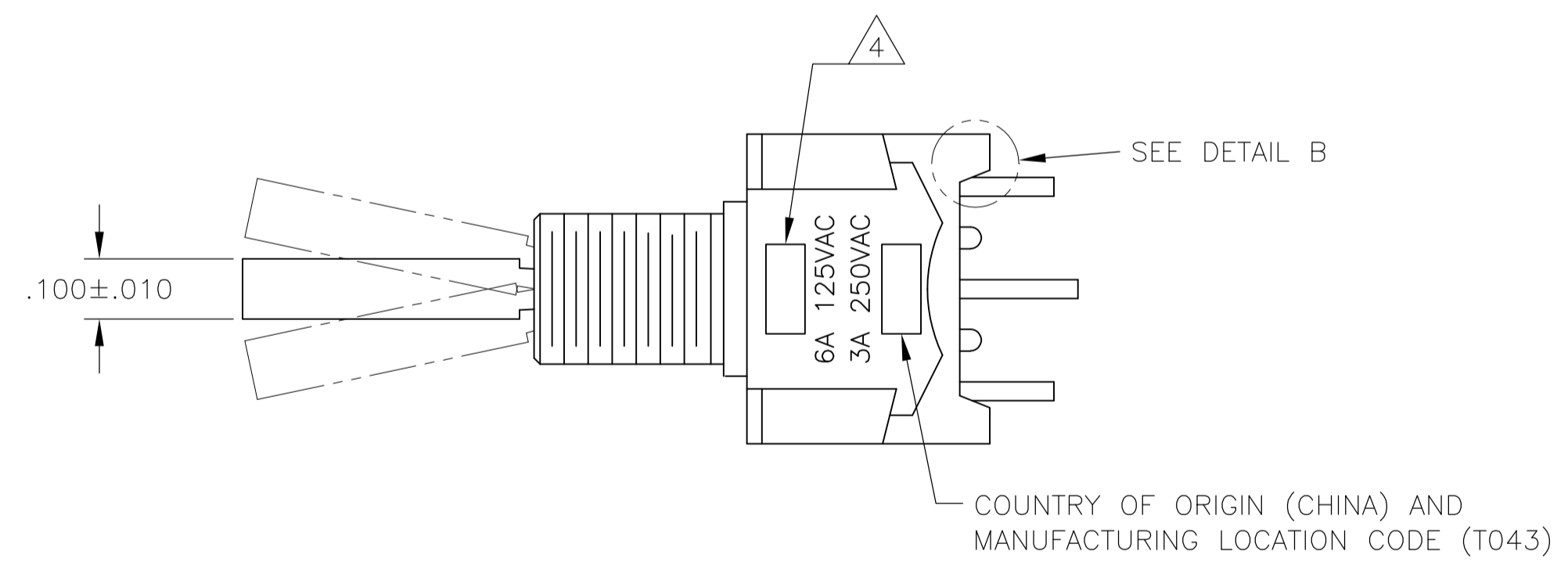
MTF206



PC TERMINAL



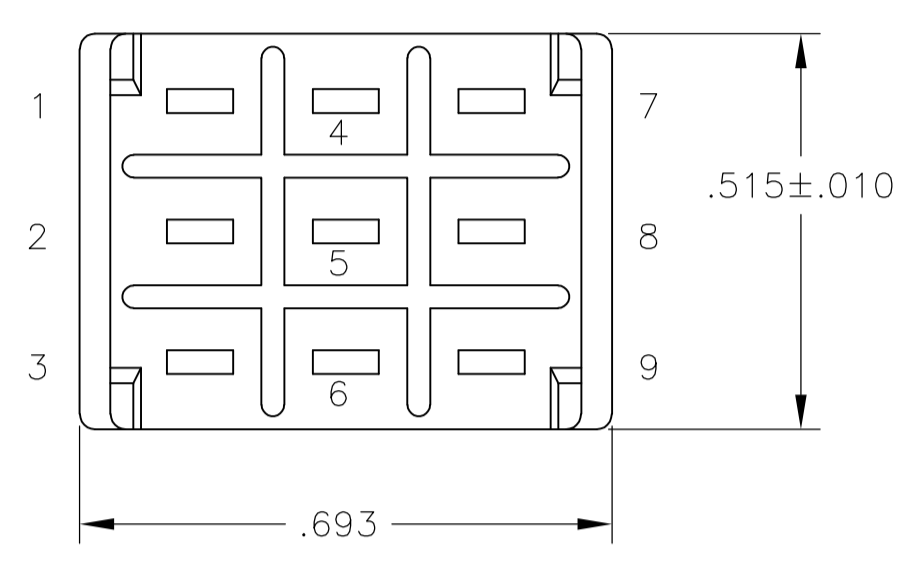
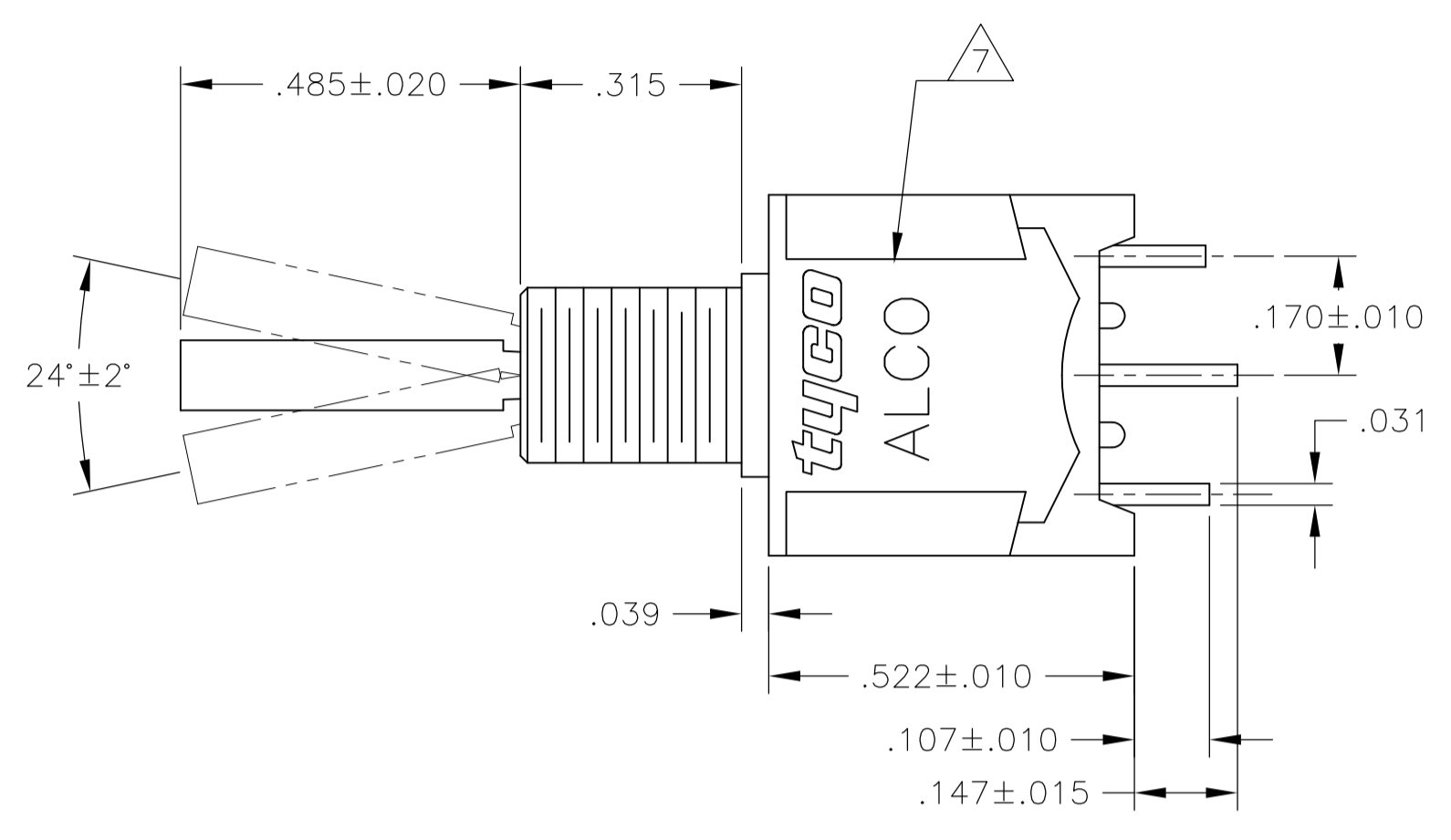
DETAIL A  
SCALE 16:1



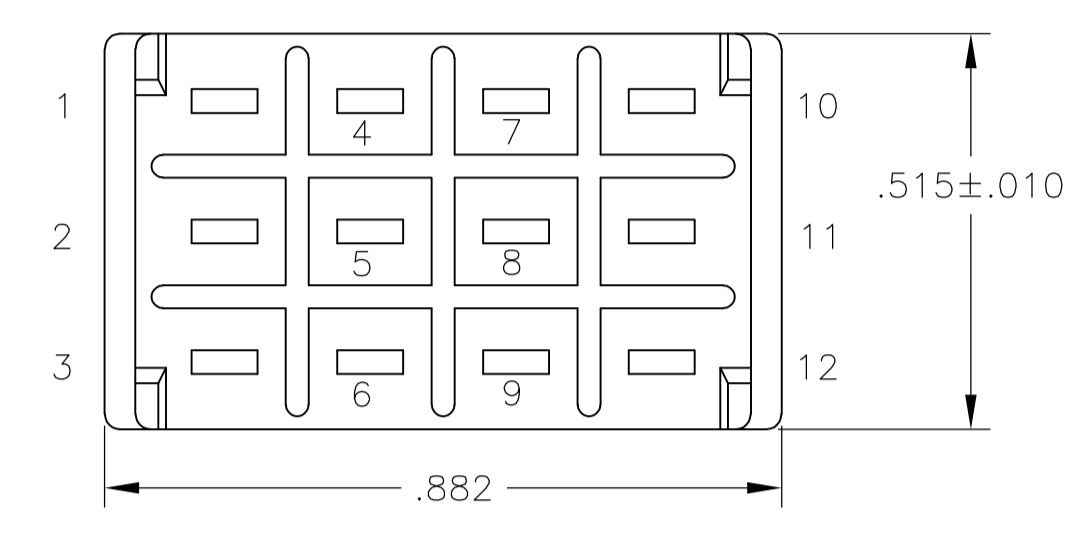
DETAIL B  
SCALE 16:1

WIRE LUG TERMINAL

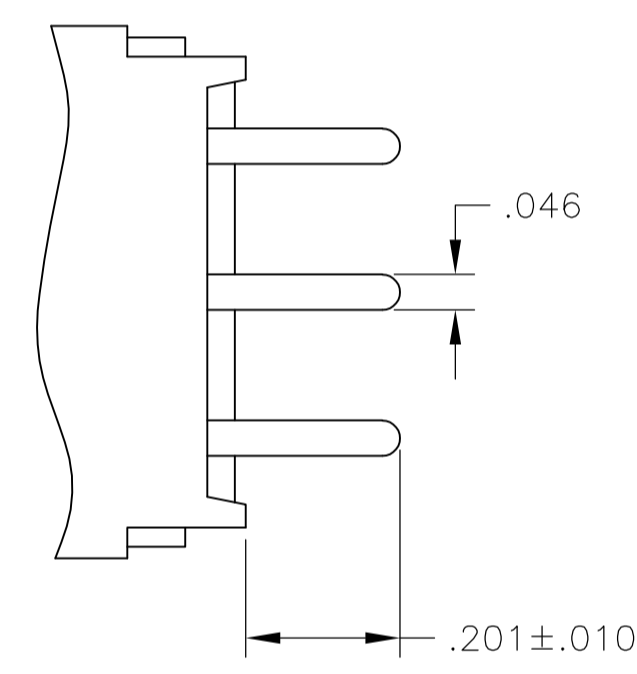
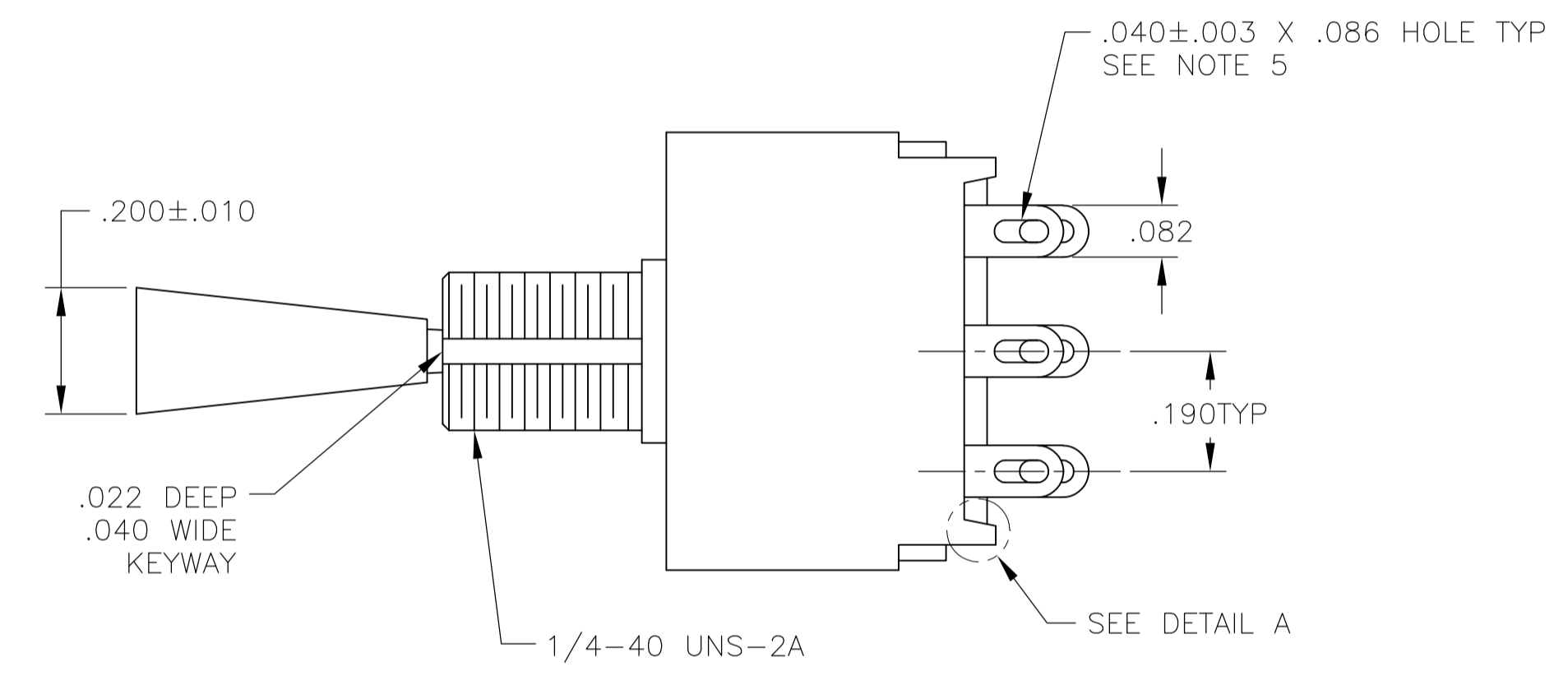
THIS DRAWING IS A CONTROLLED DOCUMENT.		DIN BSV	OBAUG04	Tyco Electronics Corporation Harrisburg, PA 17105-3608																									
DIMENSIONS: INCHES		TOLERANCES UNLESS OTHERWISE SPECIFIED:		APVD M. ZITTO																									
<table border="1"> <tr><td>0</td><td>PLC</td><td>±</td><td>-</td></tr> <tr><td>1</td><td>PLC</td><td>±</td><td>-</td></tr> <tr><td>2</td><td>PLC</td><td>±</td><td>-</td></tr> <tr><td>3</td><td>PLC</td><td>±</td><td>.005</td></tr> <tr><td>4</td><td>PLC</td><td>±</td><td>-</td></tr> <tr><td colspan="2">ANGLES</td><td>±</td><td>1</td></tr> </table>		0	PLC	±	-	1	PLC	±	-	2	PLC	±	-	3	PLC	±	.005	4	PLC	±	-	ANGLES		±	1	NAME		ALCOSWITCH GREEN SERIES TOGGLE SWITCH MTF VERTICAL MOUNT	
0	PLC	±	-																										
1	PLC	±	-																										
2	PLC	±	-																										
3	PLC	±	.005																										
4	PLC	±	-																										
ANGLES		±	1																										
MATERIAL		FINISH		SIZE	RESTRICTED TO																								
				A1 00779																									
				SCALE 4:1	SHEET 2 OF 3																								
				DRAWING NO. 1571925	REV B2																								
				CUSTOMER DRAWING																									



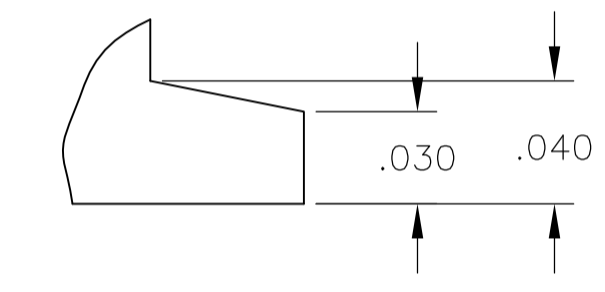
MTA306



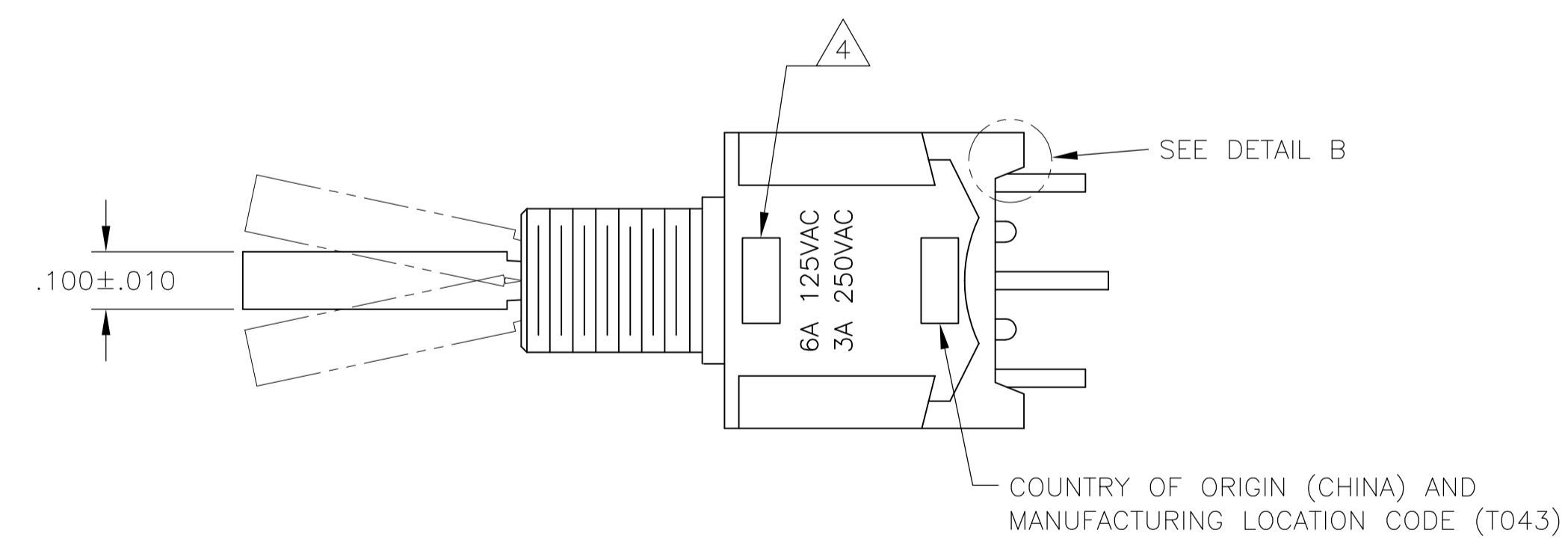
MTA406



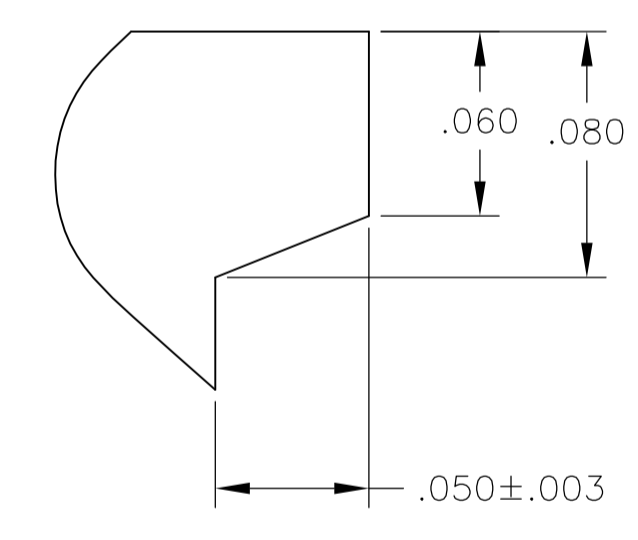
PC TERMINAL



DETAIL A  
SCALE 16:1



WIRE LUG TERMINAL



DETAIL B  
SCALE 16:1

THIS DRAWING IS A CONTROLLED DOCUMENT.		DIN	BSV	OBAUG04	Tyco Electronics Corporation Harrisburg, PA 17105-3608	
DIMENSIONS: INCHES		CHK			Tyco Electronics	
TOLERANCES UNLESS OTHERWISE SPECIFIED:		APVD	M. ZITTO	NAME		
0 PLC	± .005	PRODUCT SPEC		ALCOSWITCH GREEN SERIES TOGGLE SWITCH MTF VERTICAL MOUNT		
1 PLC	± .005	APPLICATION SPEC		SIZE	CAGE CODE	DRAWING NO
2 PLC	± .005	MATERIAL		A1	00779	1571925
3 PLC	± .005	FINISH		WEIGHT	RESTRICTED TO	
4 PLC	± .005	CUSTOMER DRAWING		SCALE	4:1	SHEET 3 OF 3
ANGLES	± .1			REV	B2	