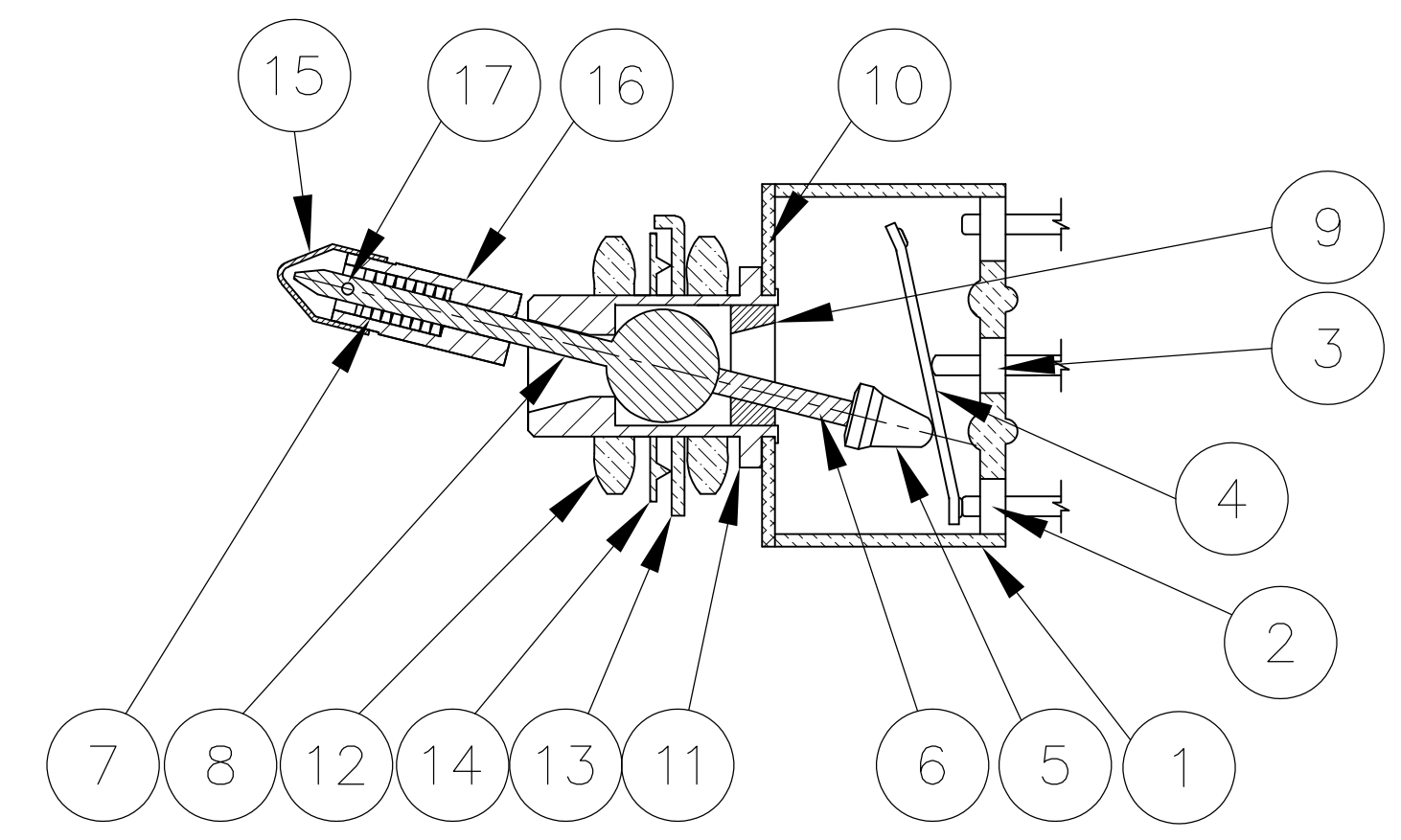
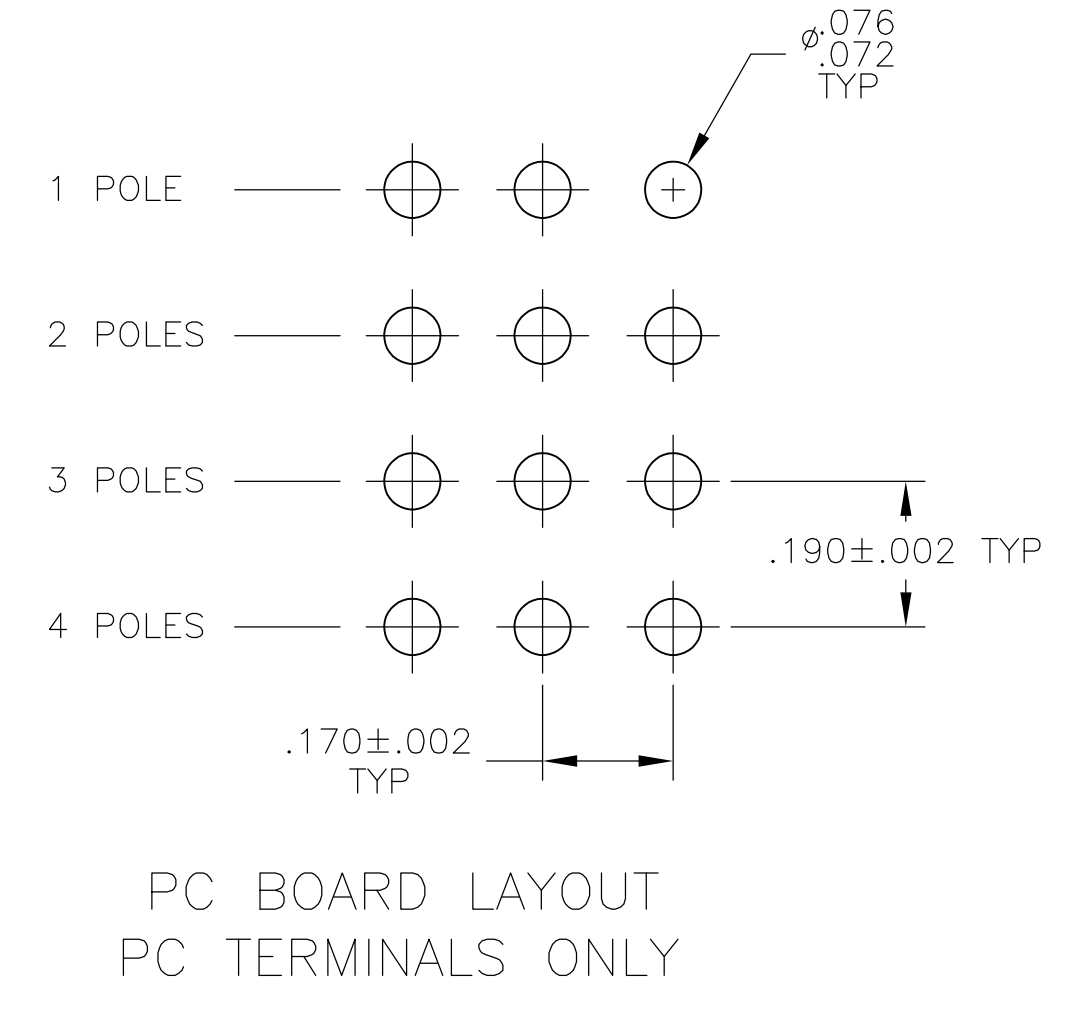
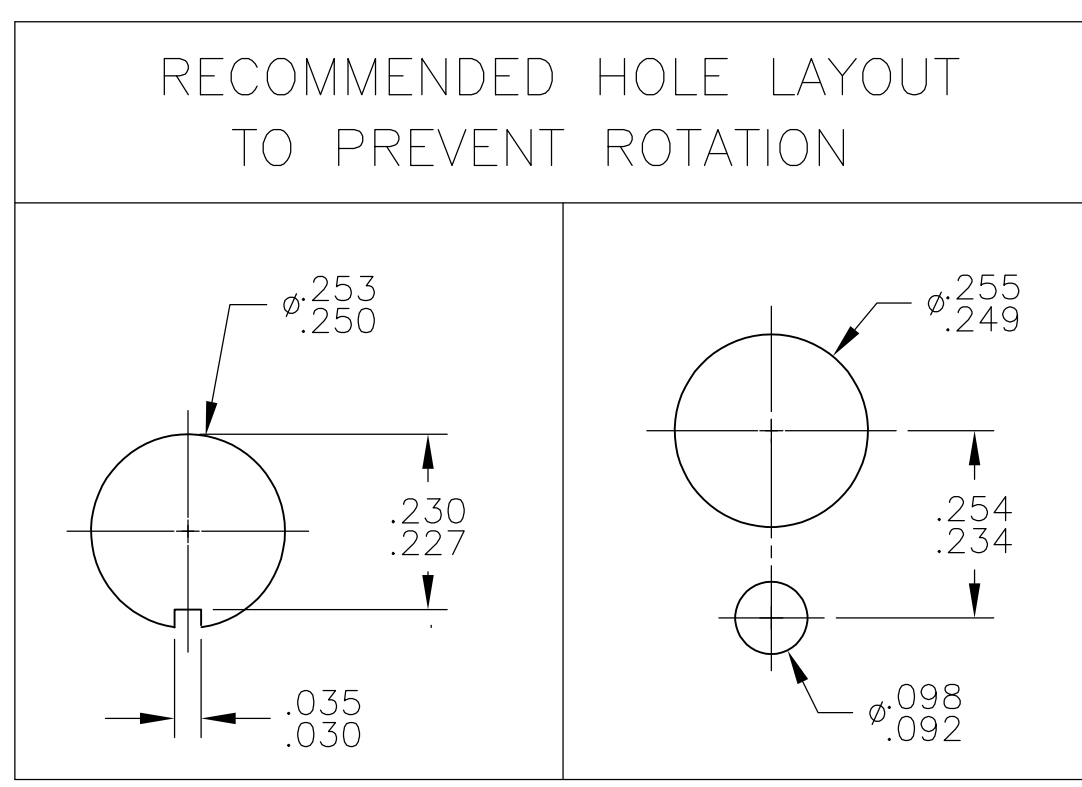


Materials			
No.	Component name	Base material	Finish
1	Housing	Alkyd, green, UL94 V-0	
2	End terminal	silver clad copper alloy	5 microinches min. gold
3	Center terminal	copper alloy	5 microinches min. gold
4	Rocker contact	silver clad copper alloy	5 microinches min. gold
5	Actuator	Phenol resin, UL94 HB, black	
6	Plunger	stainless steel	
7	Spring	music wire	
8	Toggle	brass	100 microinches min. bright nickel, electrodeposited
9	Retainer	Polyamide, UL94 HB, black	
10	Frame	STAINLESS STEEL	PASSIVATED
11	Bushing	Zinc	100 microinches min. nickel electrodeposited over 200 microinches min. copper
12	Mounting nuts (2)	brass	100 microinches min. bright nickel electrodeposited.
13	Locating ring	cold rolled steel	100 microinches min. bright nickel, electrodeposited
14	Internal tooth lockwasher	steel	100 microinches min. bright nickel, electrodeposited
15	Upper toggle cap	Aluminum	Matte
16	Lower toggle cap	Aluminum	Matte
17	Retaining pin	steel	



NOT TO SCALE

Specifications-see note 3				
<b>Current rating UL &amp; CSA</b>	6A @ 125 VAC (resistive) 3A @ 250 VAC (resistive) 4A @ 28 VDC (resistive)			
<b>Termination resistance</b>	20 milliohms max @ 2-4 VDC, 1A			
<b>Insulation resistance</b>	1,000 megohms min.			
<b>Withstanding voltage</b>	1,000 VAC			
<b>Travel</b>	24 +/-2 degrees			
<b>Actuation force</b>	.05 to 1.5 kgf			
<b>Operating temperature</b>	-20C to +85C			
<b>Storage temperature</b>	-40C to +85C			
<b>Contact timing</b>	break before make			
<b>Terminal seal</b>	epoxy			
<b>Durability</b>	<b>Parameter</b>	<b>2 Position</b>	<b>3 Position</b>	<b>Momentary</b>
	mechanical (no load)	150,000	100,000	80,000
	250 VAC (3A resistive)	80,000	60,000	60,000
	125 VAC (6A resistive)	80,000	60,000	60,000
	28 VDC (4A resistive)	60,000	50,000	40,000



PART NUMBER	Alco P/N	Poles	Throws	Function	Terminal	Terminal Diagrams	Comments
1-1571927-3	MTL406PA04	2	3	ON ON ON	Wire lug		note 7
1-1571927-2	MTL406N04	4	2	ON ON	Wire lug		
1-1571927-1	MTL306E04	3	2	ON OFF ON	Wire lug		
1-1571927-0	MTL306D04	3	2	ON ON	Wire lug		
1571927-9	MTL206S04	2	2	(ON) OFF (ON)	Wire lug		
1571927-8	MTL206PA04	1	3	ON ON ON	Wire lug		note 6
1571927-7	MTL206P04	2	2	ON OFF ON	Wire lug		
1571927-6	MTL206NPC04	2	2	ON ON	PC		
1571927-5	MTL206N04	2	2	ON ON	Wire lug		
OBSOLETE 1571927-4	MTL206K04	2	1	ON OFF	Wire lug		
1571927-3	MTL106E04	1	2	ON OFF ON	Wire lug		
1571927-2	MTL106D04	1	2	ON ON	Wire lug		
OBSOLETE 1571927-1	MTL106A04	1	1	ON OFF	Wire lug		

- NOTES:
- TERMINAL NUMBERS ARE FOR REFERENCE ONLY AND DO NOT APPEAR ON THE SWITCHES.
  - EACH SWITCH SUPPLIED WITH THE FOLLOWING MOUNTING HARDWARE:  
(2) 1/4-40 UNS-2B HEX NUTS  
(1) INTERNAL TOOTH LOCKWASHER  
(1) LOCATING RING
  - SWITCHES TESTED TO AND MEET THE REQUIREMENTS OF UL 61058-1A, SWITCHES FOR APPLIANCES SWITCHES WILL ALSO BE TESTED TO AND MEET THE REQUIREMENTS OF TE 102-2469, REV 0, MINIATURE SWITCH QUALIFICATION REQUIREMENTS. SWITCHES ARE PENDING UL RECOGNITION TO US AND CANADIAN STANDARDS.
  - WIRE LUG CONTACTS WILL ACCEPT 2 #20 AWG SOLID OR STRANDED WIRES.
  - CUSTOMER INSTALLED EXTERNAL JUMPER BETWEEN TERMINALS 2 AND 4 REQUIRED FOR 1 POLE 3 THROW FUNCTION.
  - CUSTOMER INSTALLED EXTERNAL JUMPERS BETWEEN TERMINALS 2 AND 4 AS WELL AS 8 AND 10 REQUIRED FOR 2 POLE 3 THROW FUNCTION.
  - SWITCHES ARE MARKED PER TE SPEC 202-37 WITH ALCO BENEATH LOGO AS SHOWN.
  - ALL MATERIALS AND FINISHES SHALL COMPLY WITH EU DIRECTIVE 2002/95/EC OF 27JAN2003 (ROHS).

THIS DRAWING IS A CONTROLLED DOCUMENT.

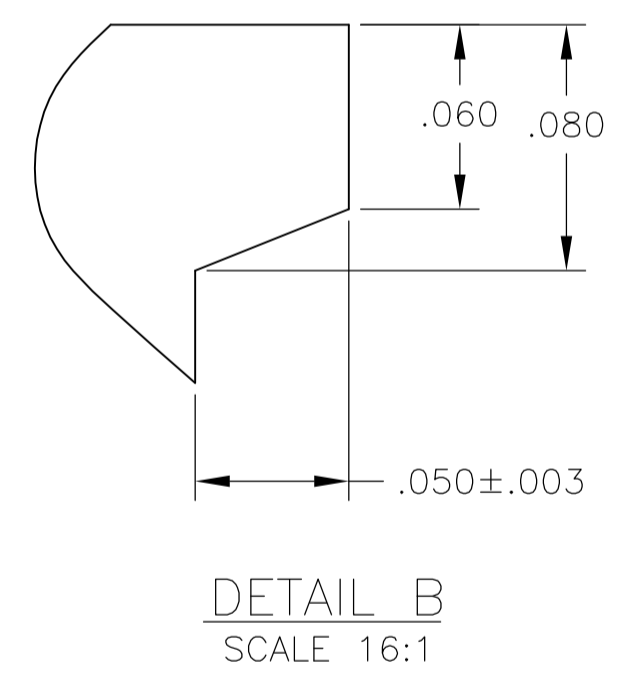
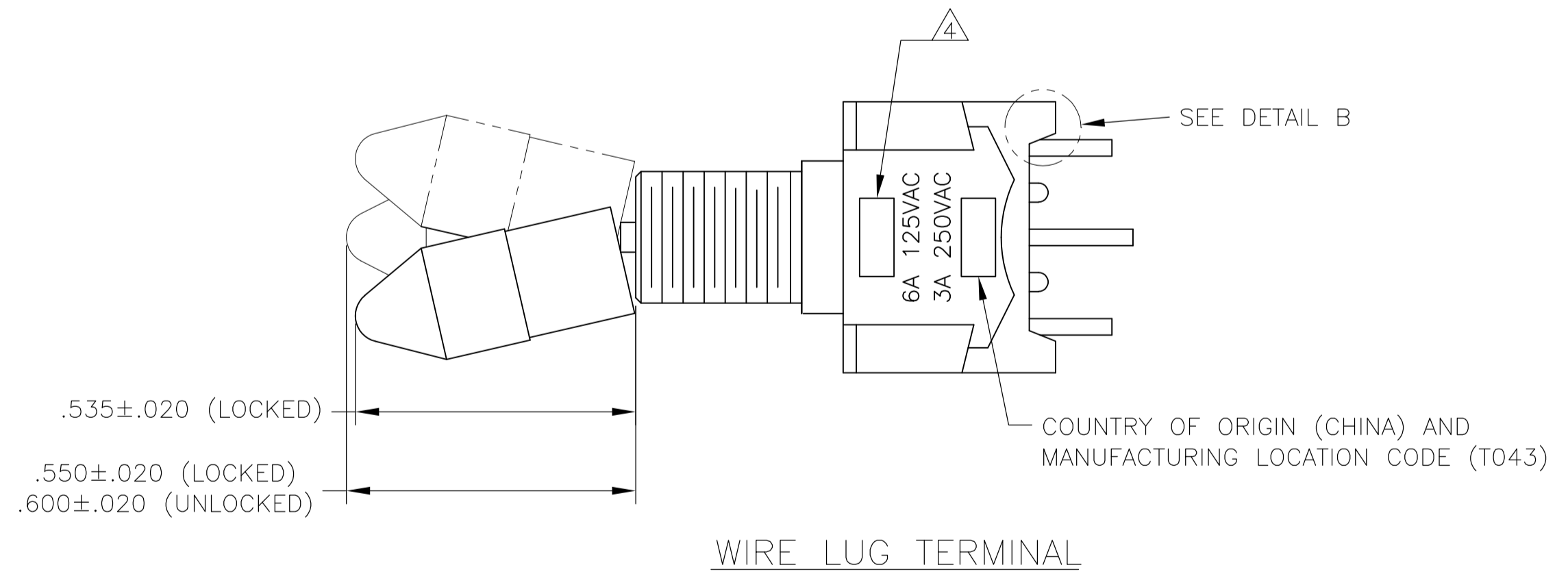
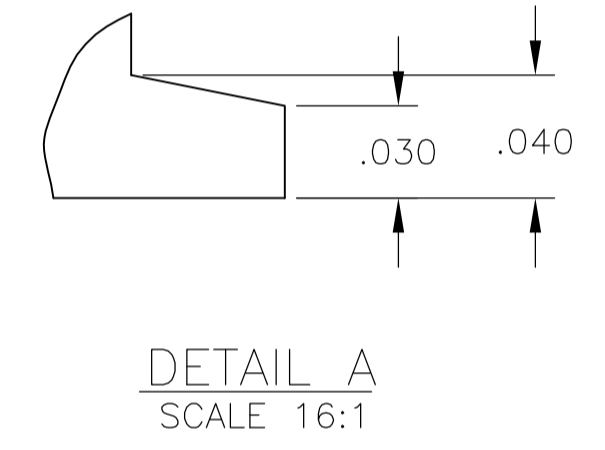
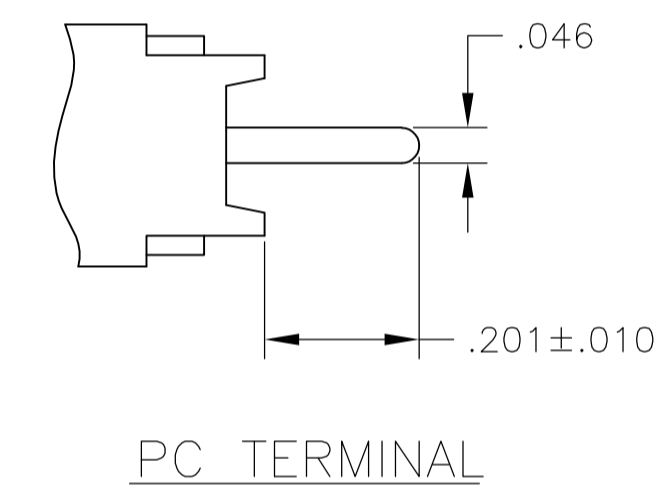
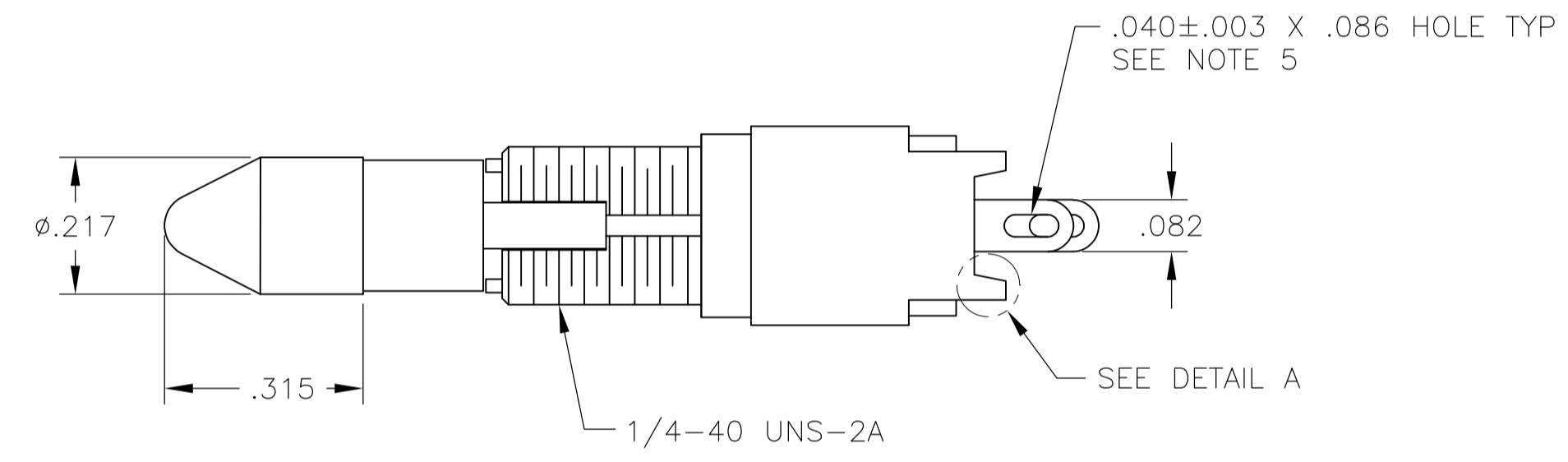
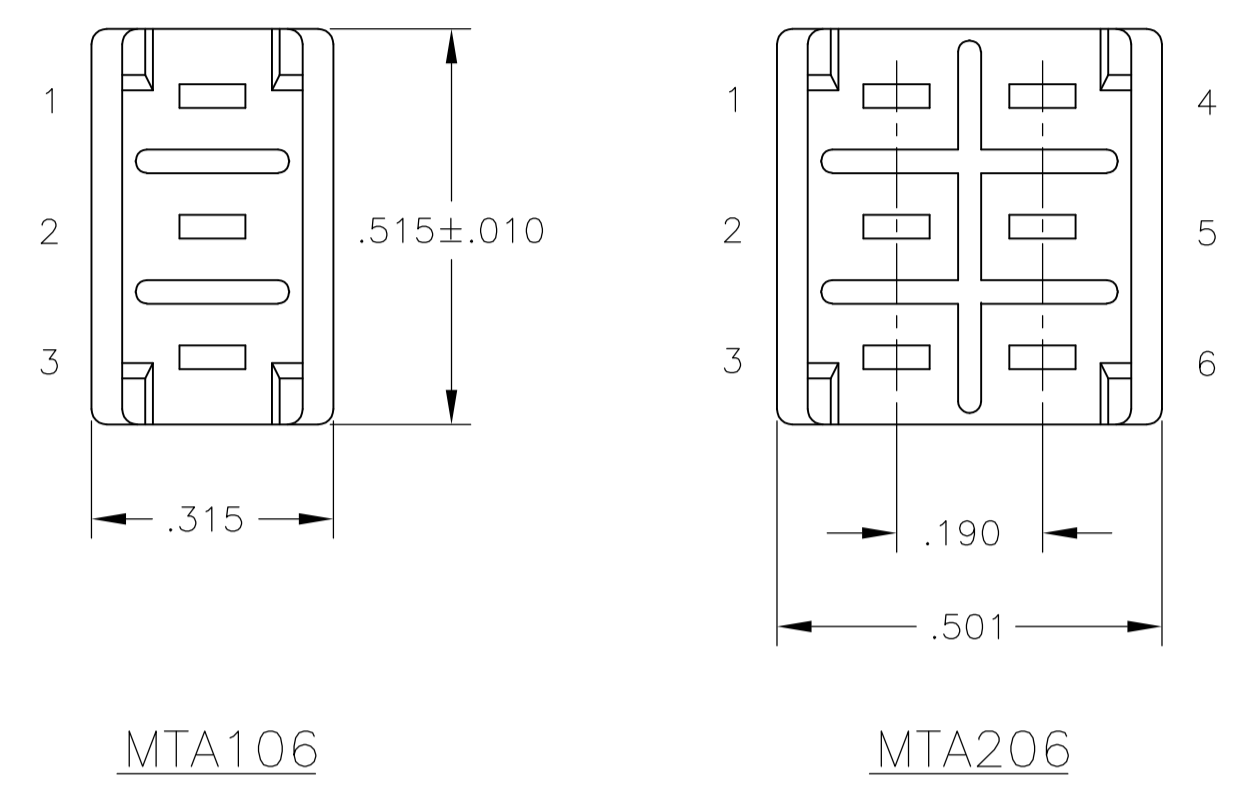
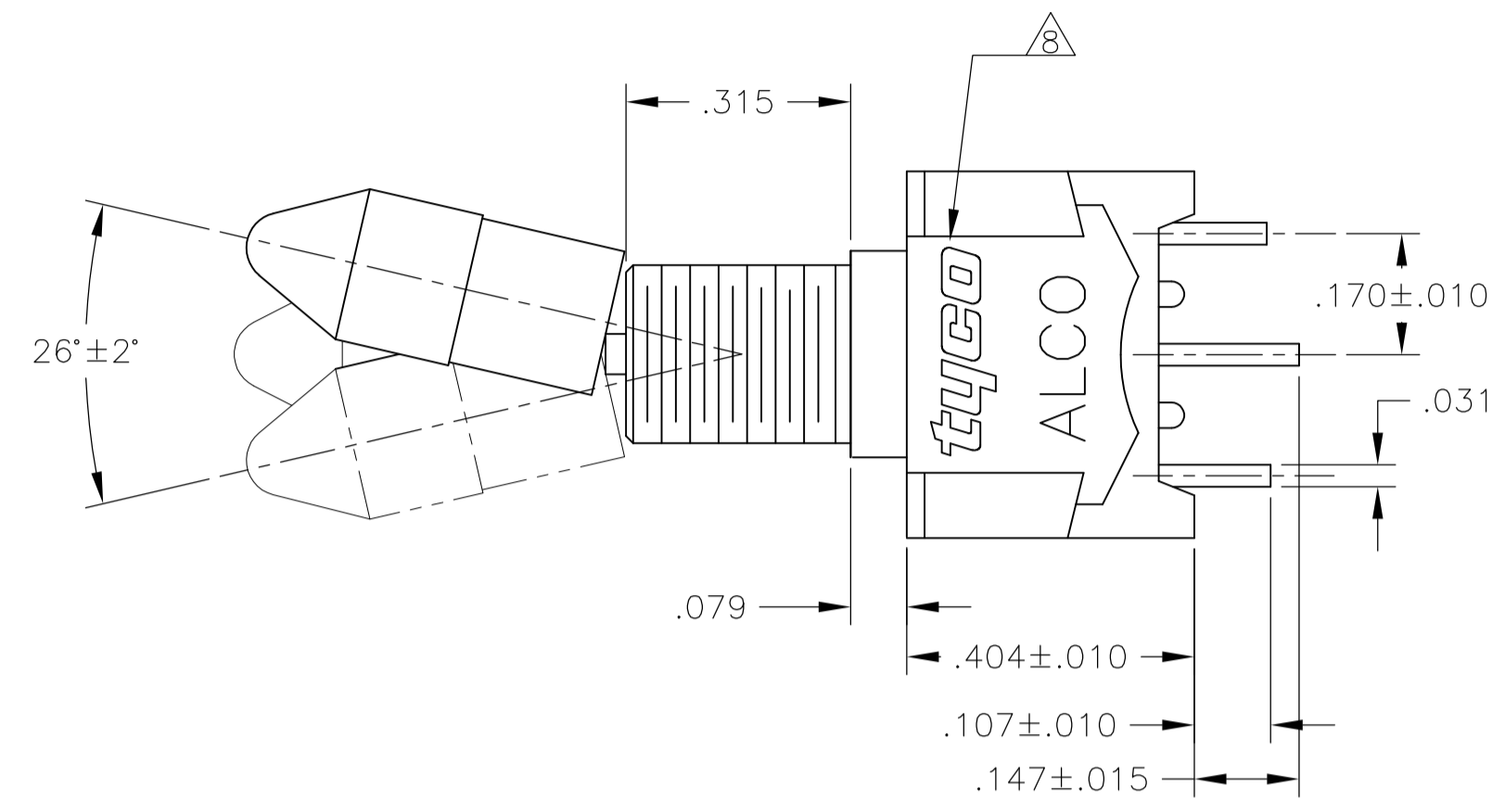
08aug04

Tyco Electronics Corporation  
Harrisburg, PA 17105-3608

NAME: M. ZITTO  
PRODUCT SPEC: ALCO SWITCH GREEN SERIES TOGGLE SWITCH  
APPLICATION SPEC: MTL VERTICAL MOUNT

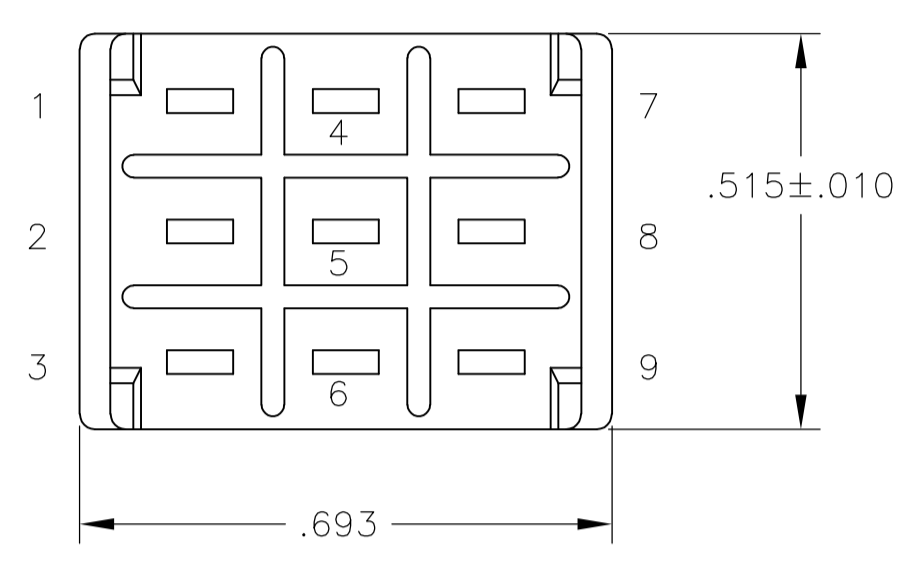
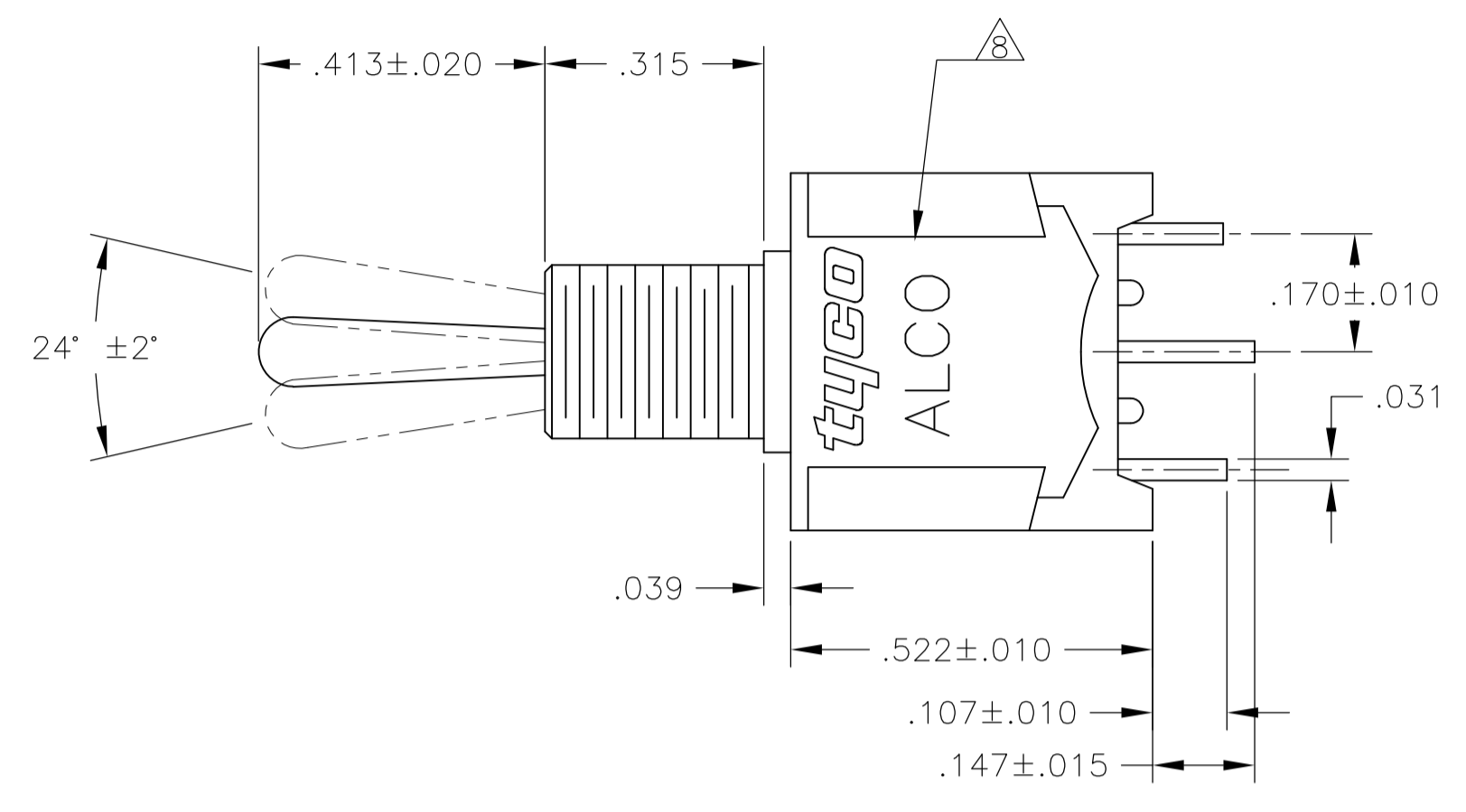
SIZE: A1  
CAGE CODE: 00779  
DRAWING NO: 1571927

SCALE: 4:1  
SHEET: 1 OF 3  
REV: A1

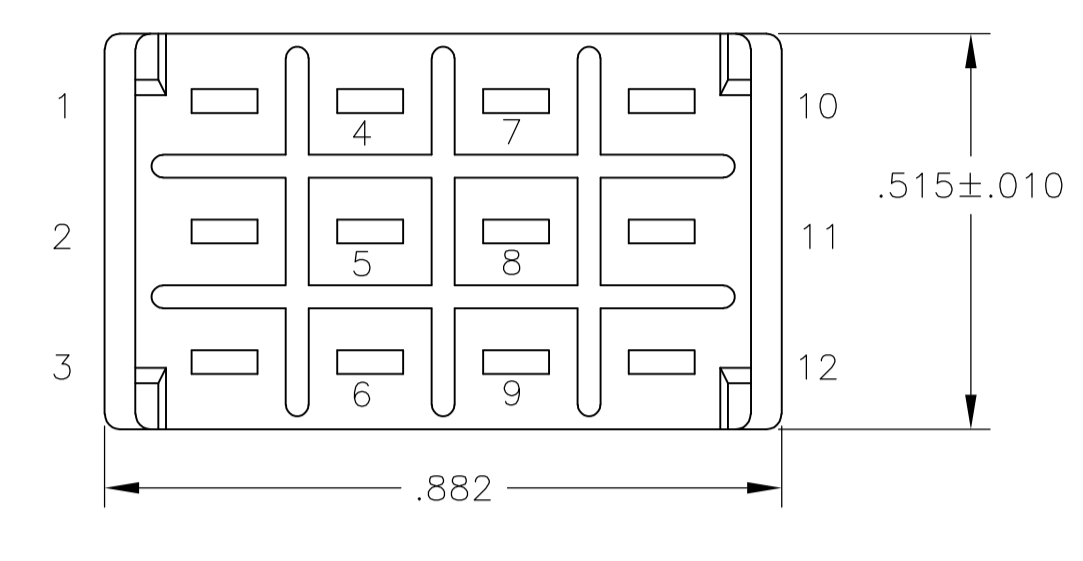


THIS DRAWING IS A CONTROLLED DOCUMENT.		DIN BSV 08aug04	Tyco Electronics Corporation Harrisburg, PA 17105-3608																								
DIMENSIONS: INCHES		TOLERANCES UNLESS OTHERWISE SPECIFIED:	Tyco Electronics																								
<table border="1"> <tr><td>0</td><td>PLC</td><td>±</td><td>-</td></tr> <tr><td>1</td><td>PLC</td><td>±</td><td>-</td></tr> <tr><td>2</td><td>PLC</td><td>±</td><td>-</td></tr> <tr><td>3</td><td>PLC</td><td>±</td><td>.005</td></tr> <tr><td>4</td><td>PLC</td><td>±</td><td>-</td></tr> <tr><td colspan="2">ANGLES</td><td>±</td><td>1</td></tr> </table>		0	PLC	±	-	1	PLC	±	-	2	PLC	±	-	3	PLC	±	.005	4	PLC	±	-	ANGLES		±	1	NAME: M. ZITTO	
0	PLC	±	-																								
1	PLC	±	-																								
2	PLC	±	-																								
3	PLC	±	.005																								
4	PLC	±	-																								
ANGLES		±	1																								
		PRODUCT SPEC																									
MATERIAL		APPLICATION SPEC																									
FINISH		SIZE: A1																									
		CAGE CODE: 00779																									
		DRAWING NO: 1571927																									
		RESTRICTED TO: -																									
		WEIGHT: -																									
		CUSTOMER DRAWING																									
		SCALE: 4:1																									
		SHEET 2 OF 3																									
		REV A1																									

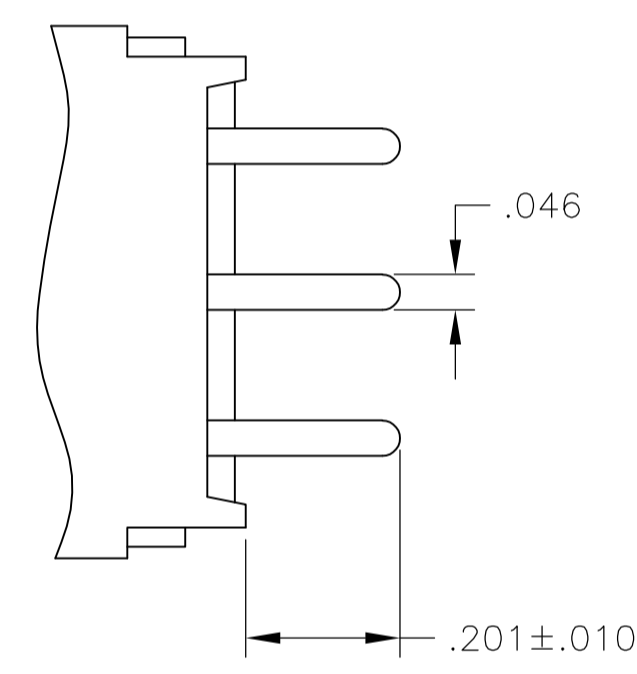
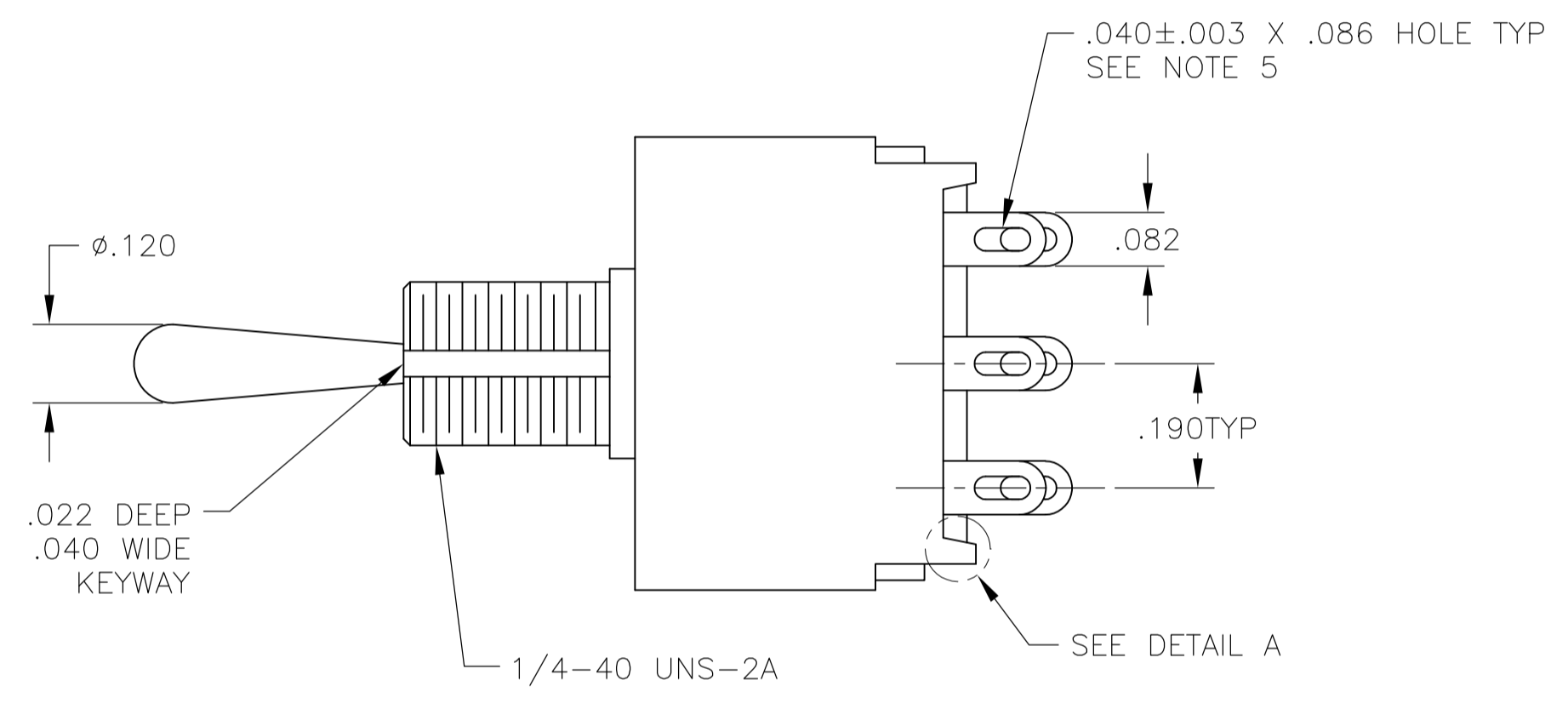
LOC		DIST		REVISIONS			
P	LTR	DESCRIPTION	DATE	DN	APVD		
AD	00	SEE SHEET 1					



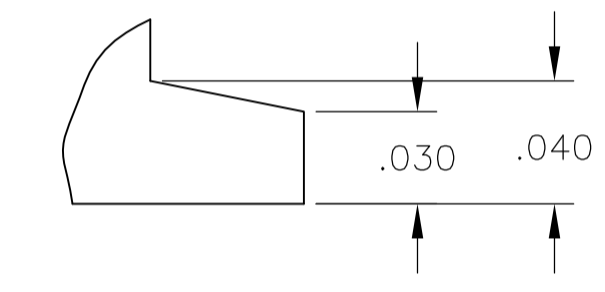
MTA306



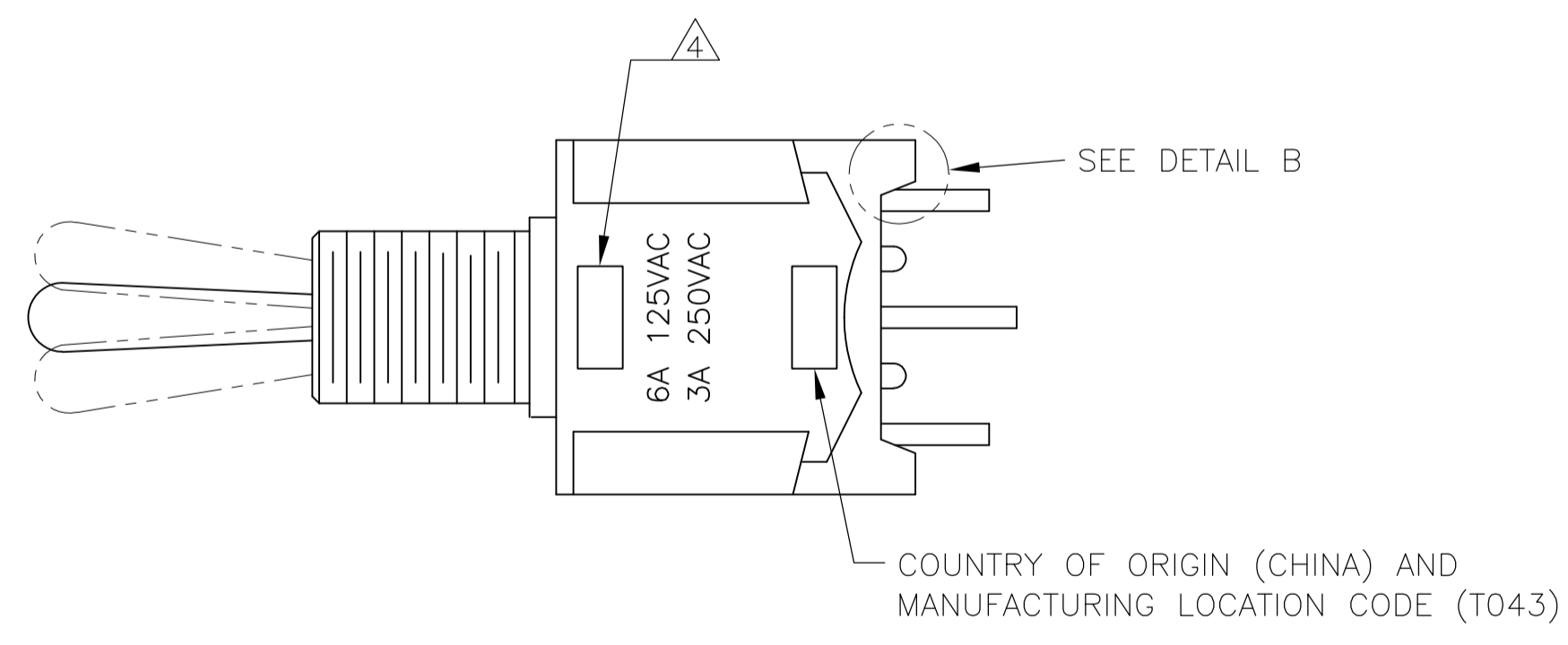
MTA406



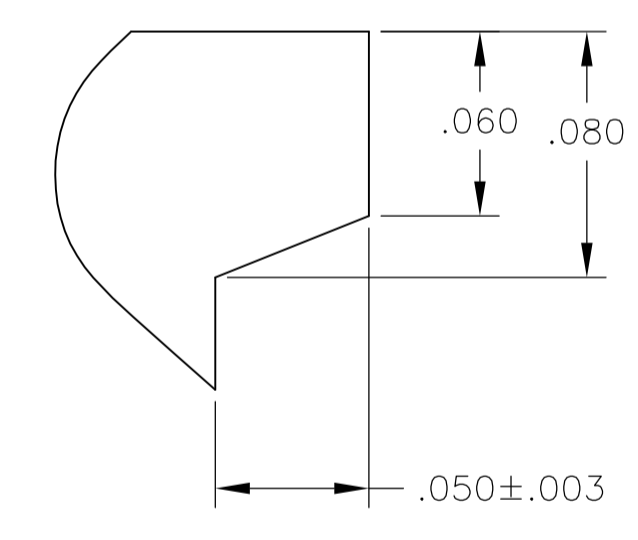
PC TERMINAL



DETAIL A  
SCALE 16:1



WIRE LUG TERMINAL



DETAIL B  
SCALE 16:1

THIS DRAWING IS A CONTROLLED DOCUMENT.		DIN BSV 08aug04	Tyco Electronics Corporation Harrisburg, PA 17105-3608																								
DIMENSIONS: INCHES		TOLERANCES UNLESS OTHERWISE SPECIFIED:	Tyco Electronics																								
<table border="1"> <tr><td>0</td><td>PLC</td><td>±</td><td>-</td></tr> <tr><td>1</td><td>PLC</td><td>±</td><td>-</td></tr> <tr><td>2</td><td>PLC</td><td>±</td><td>-</td></tr> <tr><td>3</td><td>PLC</td><td>±</td><td>.005</td></tr> <tr><td>4</td><td>PLC</td><td>±</td><td>-</td></tr> <tr><td colspan="2">ANGLES</td><td>±</td><td>.1</td></tr> </table>		0	PLC	±	-	1	PLC	±	-	2	PLC	±	-	3	PLC	±	.005	4	PLC	±	-	ANGLES		±	.1	APVD M. ZITTO	
0	PLC	±	-																								
1	PLC	±	-																								
2	PLC	±	-																								
3	PLC	±	.005																								
4	PLC	±	-																								
ANGLES		±	.1																								
MATERIAL		FINISH	NAME ALCOSWITCH GREEN SERIES TOGGLE SWITCH MTL VERTICAL MOUNT																								
-		-	APPLICATION SPEC																								
-		-	SIZE A1																								
-		-	CAGE CODE 00779																								
-		-	DRAWING NO. 1571927																								
-		-	RESTRICTED TO																								
-		-	WEIGHT																								
-		-	CUSTOMER DRAWING																								
-		-	SCALE 4:1																								
-		-	SHEET 3 OF 3																								
-		-	REV A1																								