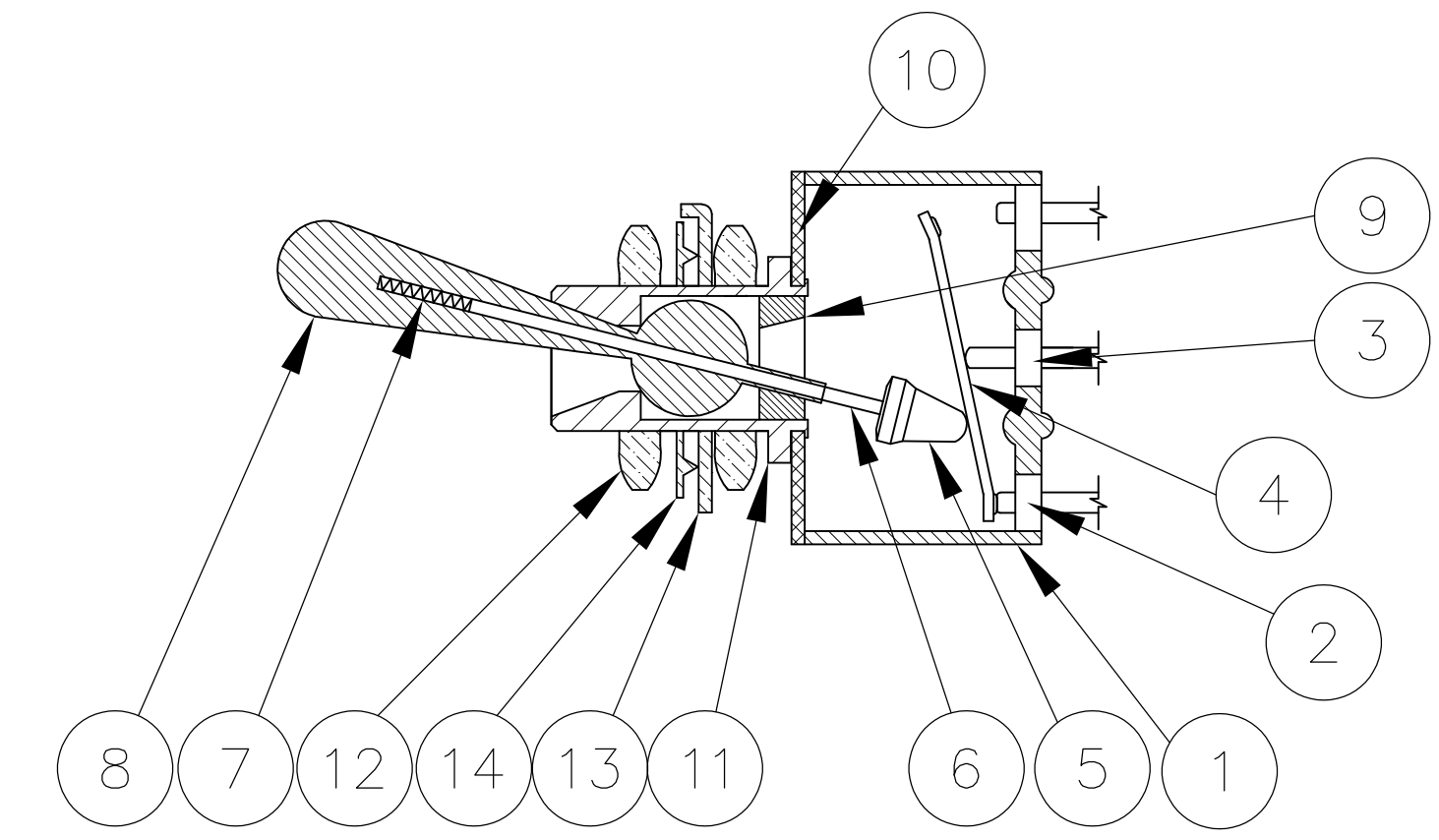
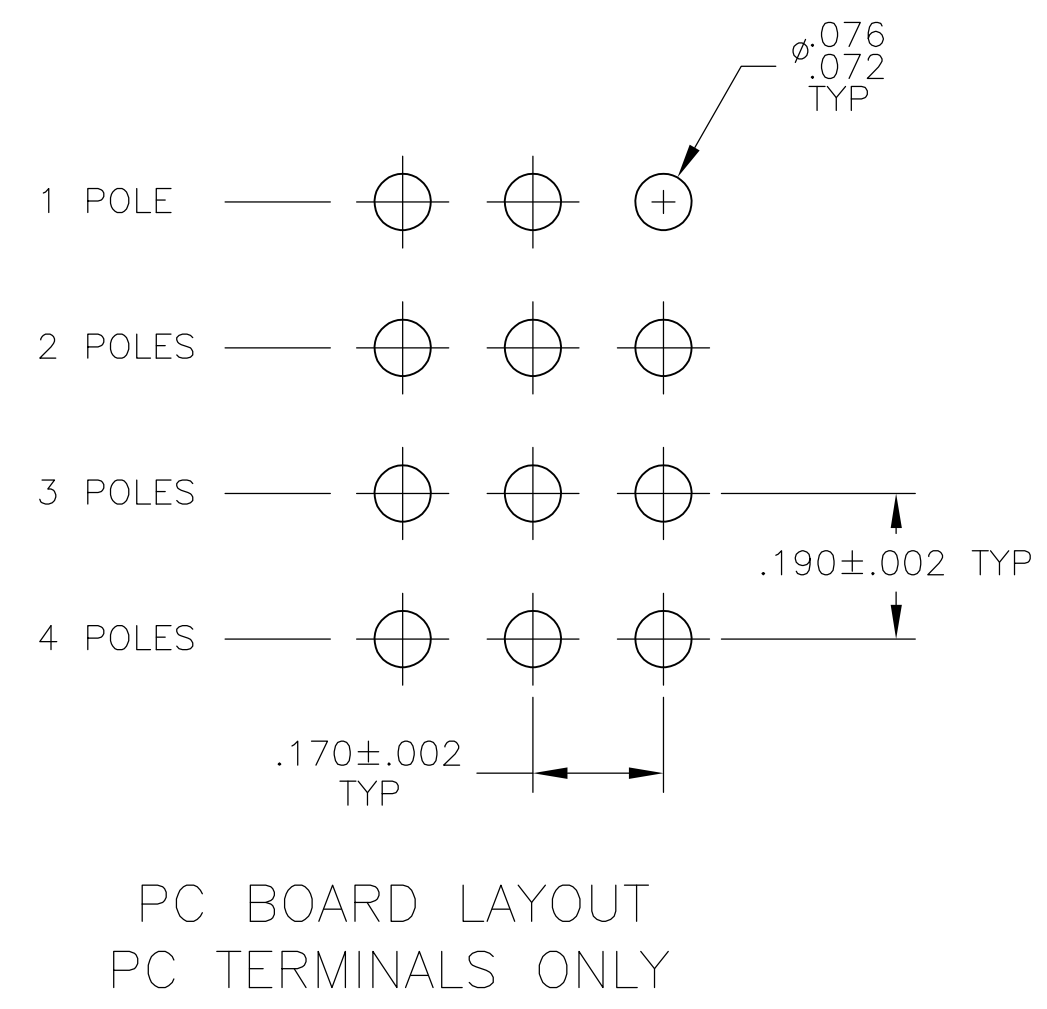
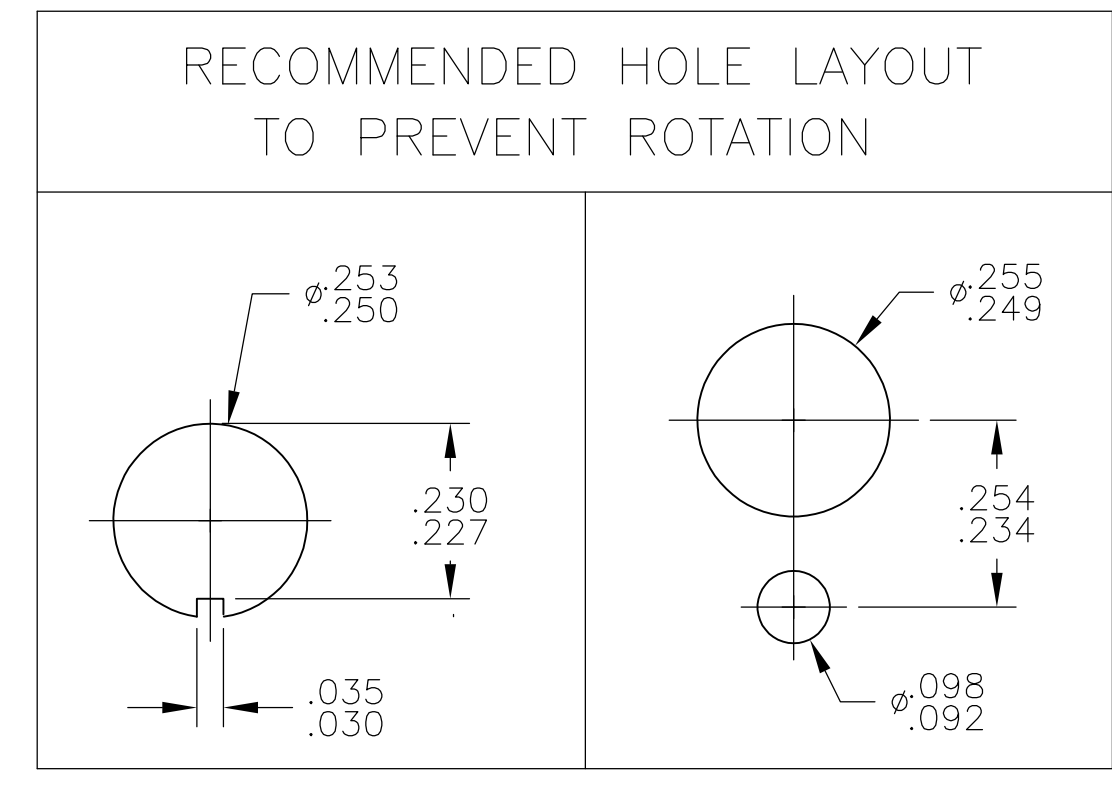


Materials			
No.	Component name	Base material	Finish
1	Housing	ALKYD, GREEN, UL94 V-0	
2	End terminal	silver clad copper alloy	5 microinches min. gold
3	Center terminal	copper alloy	5 microinches min. gold
4	Rocker contact	silver clad copper alloy	5 microinches min. gold
5	Actuator	Phenol resin, UL94 HB, black	
6	Plunger	stainless steel	
7	Spring	music wire	
8	Toggle	brass	100 microinches min. bright nickel, electrodeposited
9	Retainer	Polyamide, UL94 HB, black	
10	Frame	STAINLESS STEEL	PASSIVATED
11	Bushing	Zinc	100 microinches min. nickel electrodeposited over 200 microinches min. copper
12	Mounting nuts (2)	brass	100 microinches min. bright nickel electrodeposited.
13	Locating ring	cold rolled steel	100 microinches min. bright nickel, electrodeposited
14	Internal tooth lockwasher	steel	100 microinches min. bright nickel, electrodeposited



NOT TO SCALE

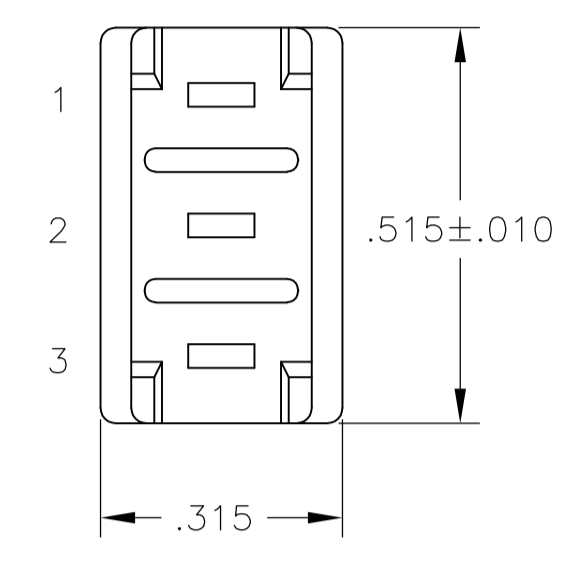
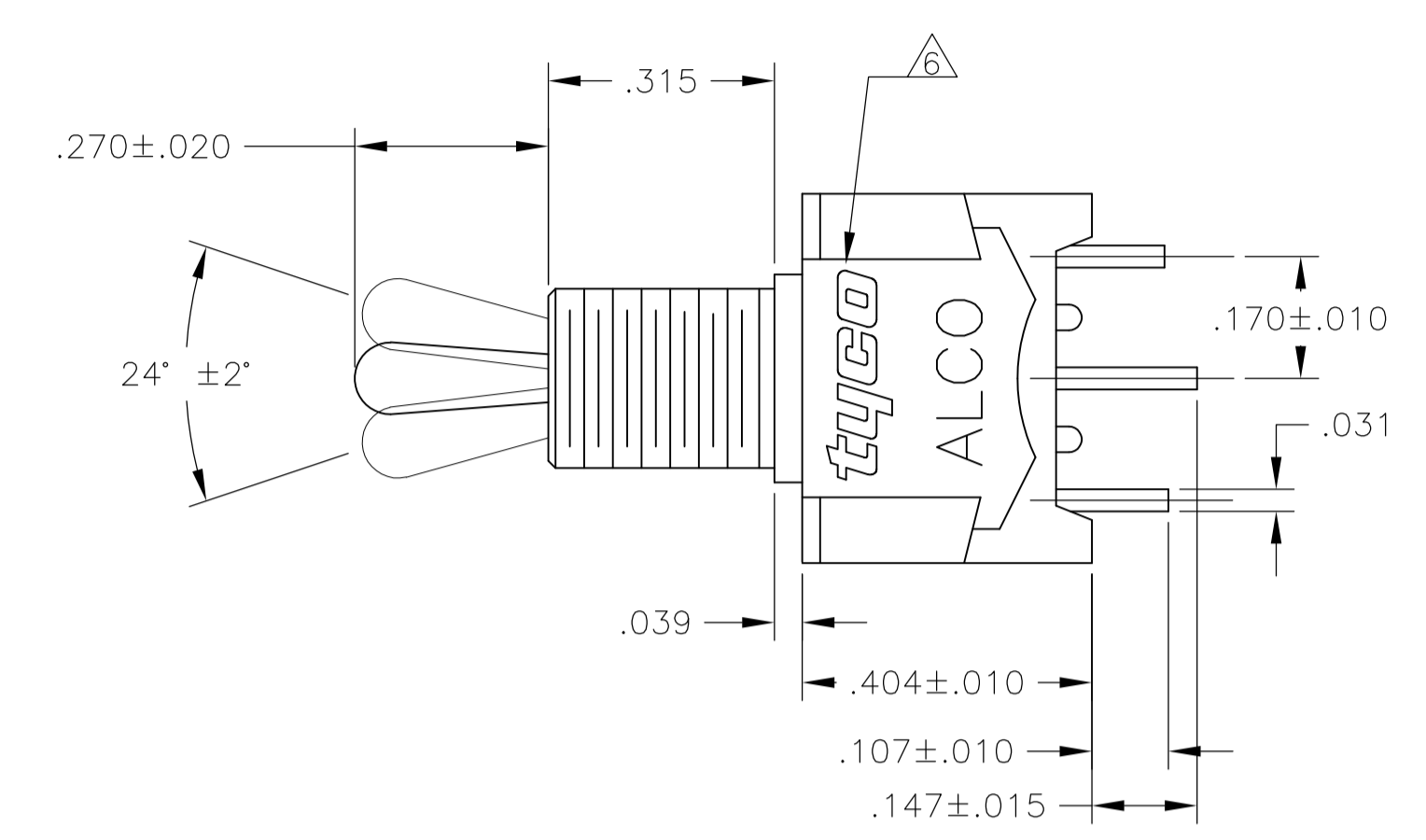
Specifications-see note 3				
Current rating UL & CSA	6A @ 125 VAC (resistive) 3A @ 250 VAC (resistive) 4A @ 28 VDC (resistive)			
Termination resistance	20 milliohms max @ 2-4 VDC, 1A			
Insulation resistance	1,000 megohms min.			
Withstanding voltage	1,000 VAC			
Travel	24 +/- 2 degrees			
Actuation force	.05 to 1.5 kgf			
Operating temperature	-20C to +85C			
Storage temperature	-40C to +85C			
Contact timing	break before make			
Terminal seal	epoxy			
Durability	Parameter	2 Position	3 Position	Momentary
	mechanical (no load)	150,000	100,000	80,000
	250 VAC (3A resistive)	80,000	60,000	60,000
	125 VAC (6A resistive)	80,000	60,000	60,000
	28 VDC (4A resistive)	60,000	50,000	40,000



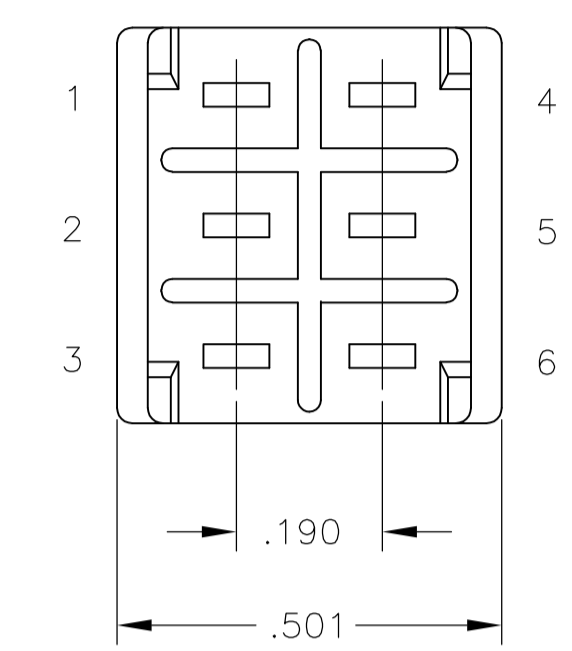
PART NUMBER	Alco P/N	Poles	Throws	Function	Terminal	Terminal	Terminal	Comments
1-1571921-1	MTM406NPC04	4	2	ON ON	PC	2-3, 5-6, 8-9, 11-12	---	2-1, 5-4, 8-7, 11-10
1-1571921-0	MTM306DPC04	3	2	ON ON	PC	2-3, 5-6, 8-9	---	2-1, 5-4, 8-7
1571921-9	MTM206SPC04	2	2	(ON) OFF (ON)	PC	2-3, 5-6	OFF	2-1, 5-4
1571921-8	MTM206PPC04	2	2	ON OFF ON	PC	2-3, 5-6	OFF	2-1, 5-4
1571921-7	MTM206PAPC04	1	3	ON ON ON	PC	5-6	5-3	5-1 note 5
1571921-6	MTM206NPC04	2	2	ON ON	PC	2-3, 5-6	---	2-1, 5-4
OBSOLETE	1571921-5	MTM206KPC04	2	ON OFF	PC	2-3, 5-6	---	Off
	1571921-4	MTM106FPC04	1	ON (ON)	PC	2-3	---	2-1
	1571921-3	MTM106EPC04	1	ON OFF ON	PC	2-3	Off	2-1
OBSOLETE	1571921-2	MTM106DPC04	1	ON ON	PC	2-3	---	2-1
OBSOLETE	1571921-1	MTM106APC04					---	Off

- NOTES:
- TERMINAL NUMBERS ARE FOR REFERENCE ONLY AND DO NOT APPEAR ON THE SWITCHES.
 - EACH SWITCH SUPPLIED WITH THE FOLLOWING MOUNTING HARDWARE:
 (2) 1/4-40 UNS-2B HEX NUTS
 (1) INTERNAL TOOTH LOCKWASHER
 (1) LOCATING RING
 - SWITCHES TESTED TO AND MEET THE REQUIREMENTS OF UL 61058-1A, SWITCHES FOR APPLIANCES SWITCHES WILL ALSO BE TESTED TO AND MEET THE REQUIREMENTS OF TE 102-2469, REV O, MINIATURE SWITCH QUALIFICATION REQUIREMENTS. SWITCHES ARE PENDING UL RECOGNITION TO US AND CANADIAN STANDARDS.
 - CUSTOMER INSTALLED EXTERNAL JUMPER BETWEEN TERMINALS 2 AND 4 REQUIRED FOR 1 POLE 3 THROW FUNCTION.
 - SWITCHES ARE MARKED PER TE SPEC 202-37 WITH ALCO BENEATH LOGO AS SHOWN.
 - ALL MATERIALS AND FINISHES SHALL COMPLY WITH EU DIRECTIVE 2002/95/EC OF 27JAN2003 (ROHS).

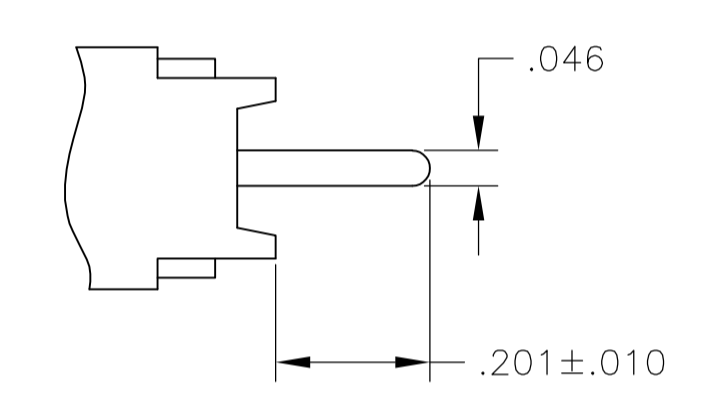
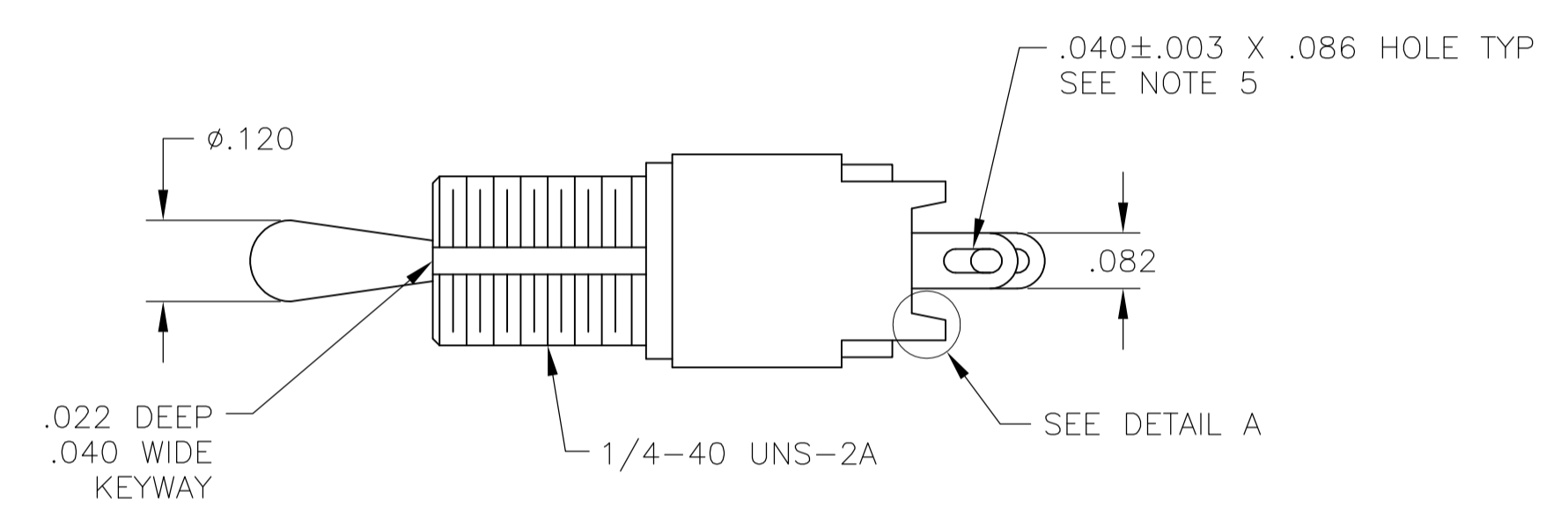
THIS DRAWING IS A CONTROLLED DOCUMENT. DIMENSIONS: INCHES. TOLERANCES UNLESS OTHERWISE SPECIFIED: 0. PLC ± .005, 1. PLC ± .005, 2. PLC ± .005, 3. PLC ± .005, 4. PLC ± .005. ANGLES ± 1. MATERIAL: -. FINISH: -. DWG: M. BINNER, 07SEP04. CHK: M. ZITTO, 07SEP04. APP'D: M. ZITTO, 07SEP04. NAME: ALCO SWITCH GREEN SERIES TOGGLE SWITCH MTM VERTICAL MOUNT. Tyco Electronics Corporation, Harrisburg, PA 17105-3608. SIZE: A1. CAGE CODE: 00779. DRAWING NO: 1571921. RESTRICTED TO: -. WEIGHT: -. CUSTOMER DRAWING. SCALE: 4:1. SHEET: 1 OF 3. REV: A1.



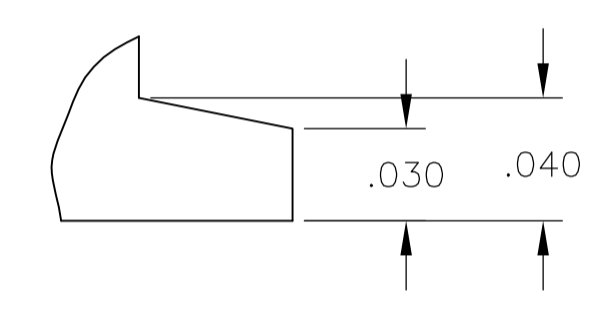
MTM106



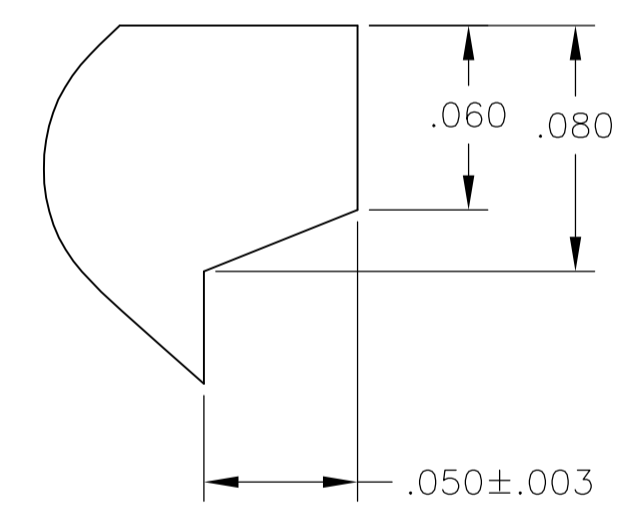
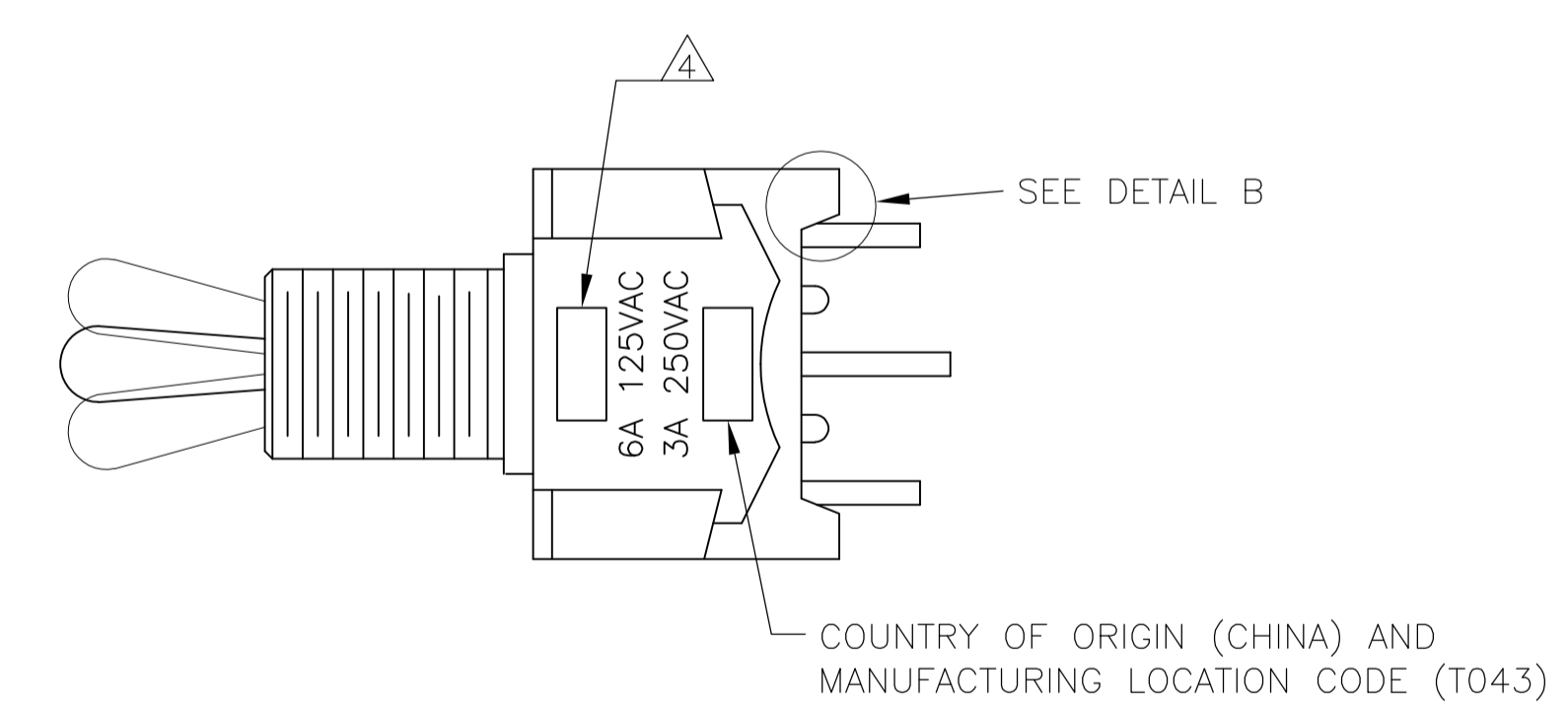
MTM206



PC TERMINAL



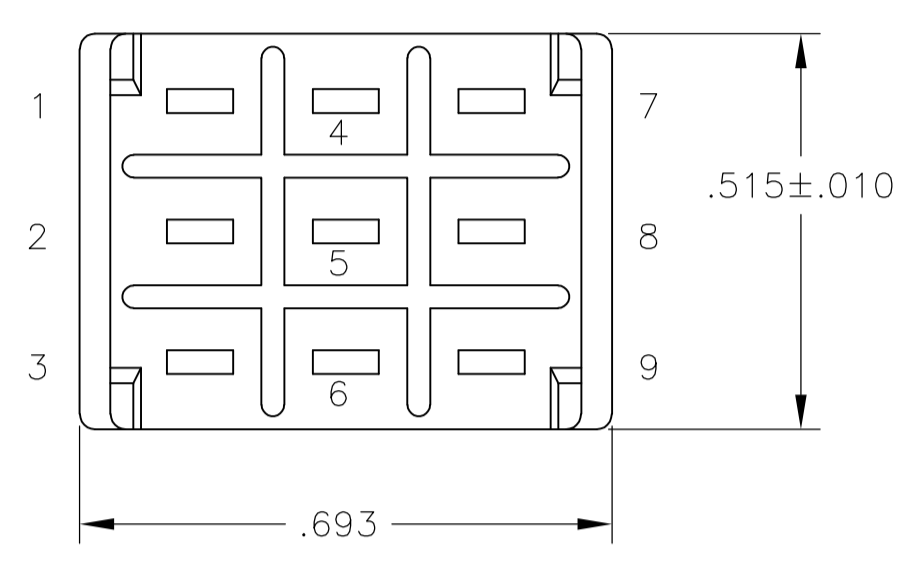
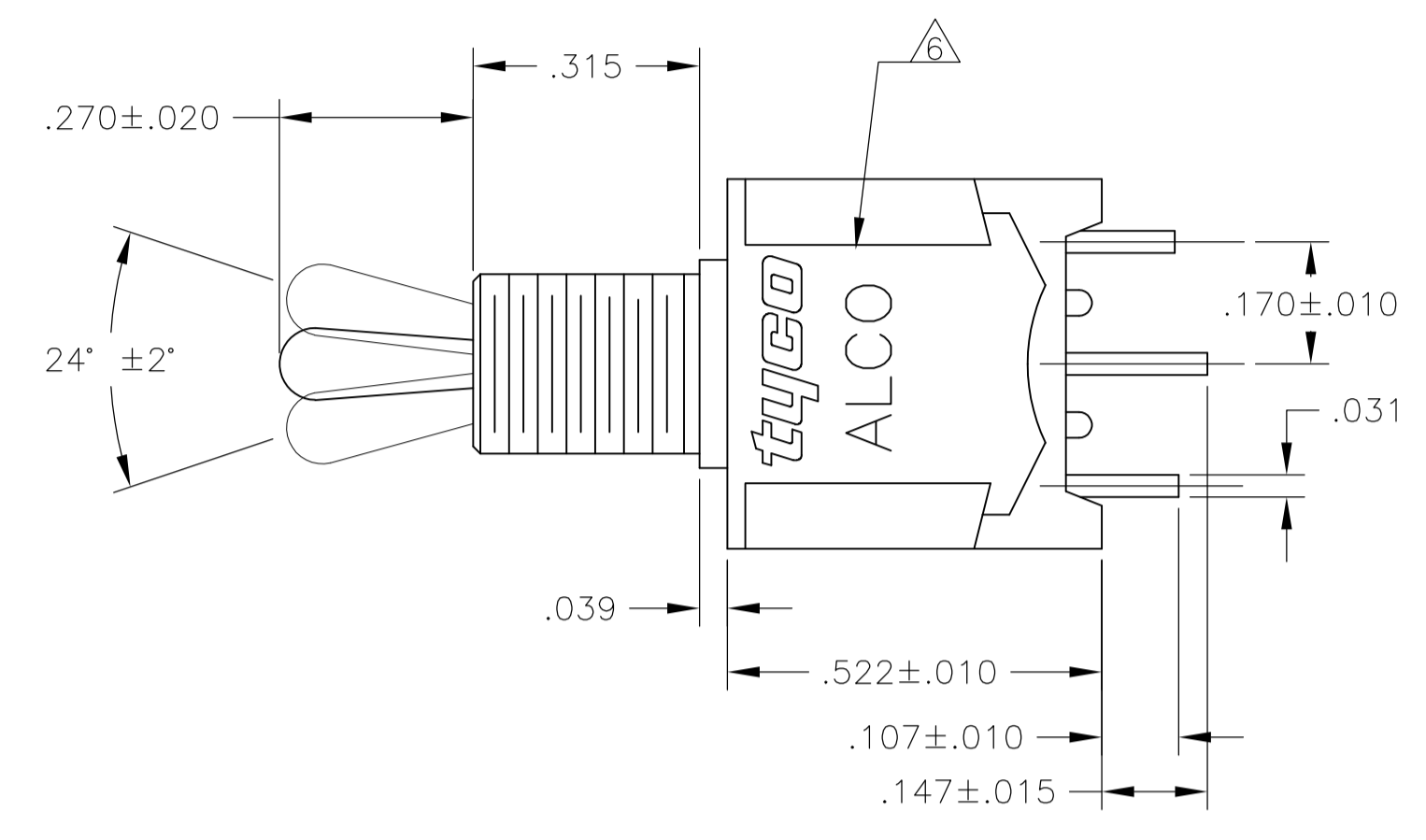
DETAIL A
SCALE 16:1



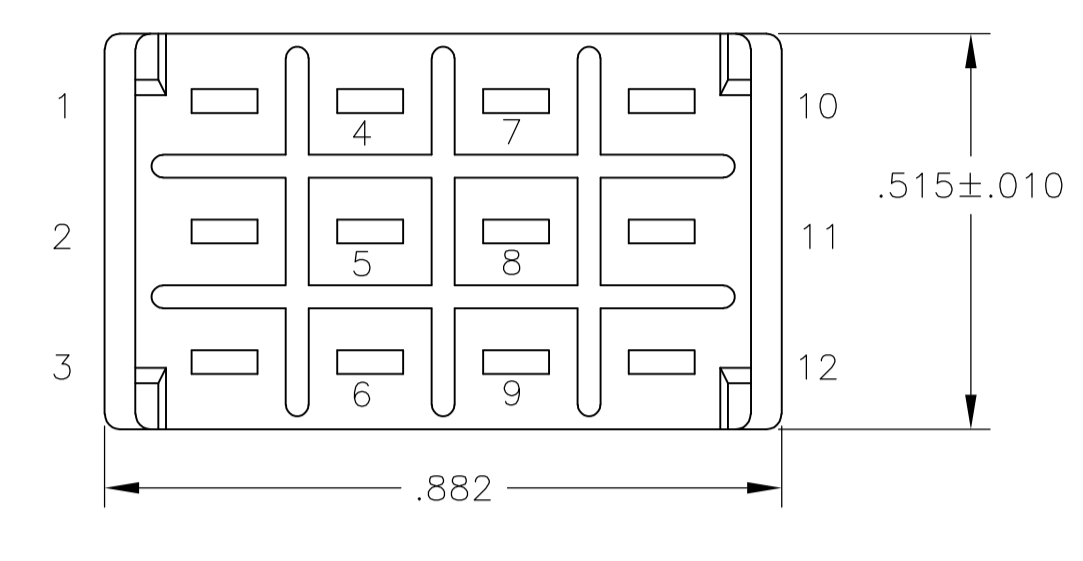
DETAIL B
SCALE 16:1

WIRE LUG TERMINAL

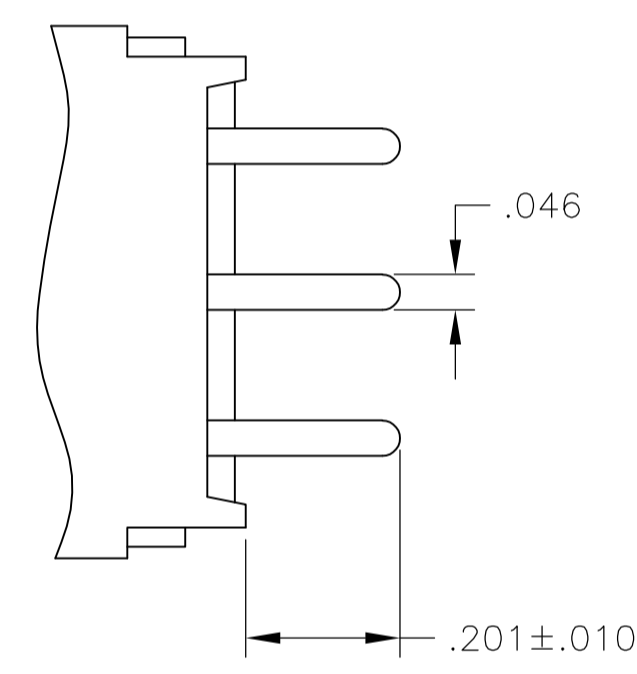
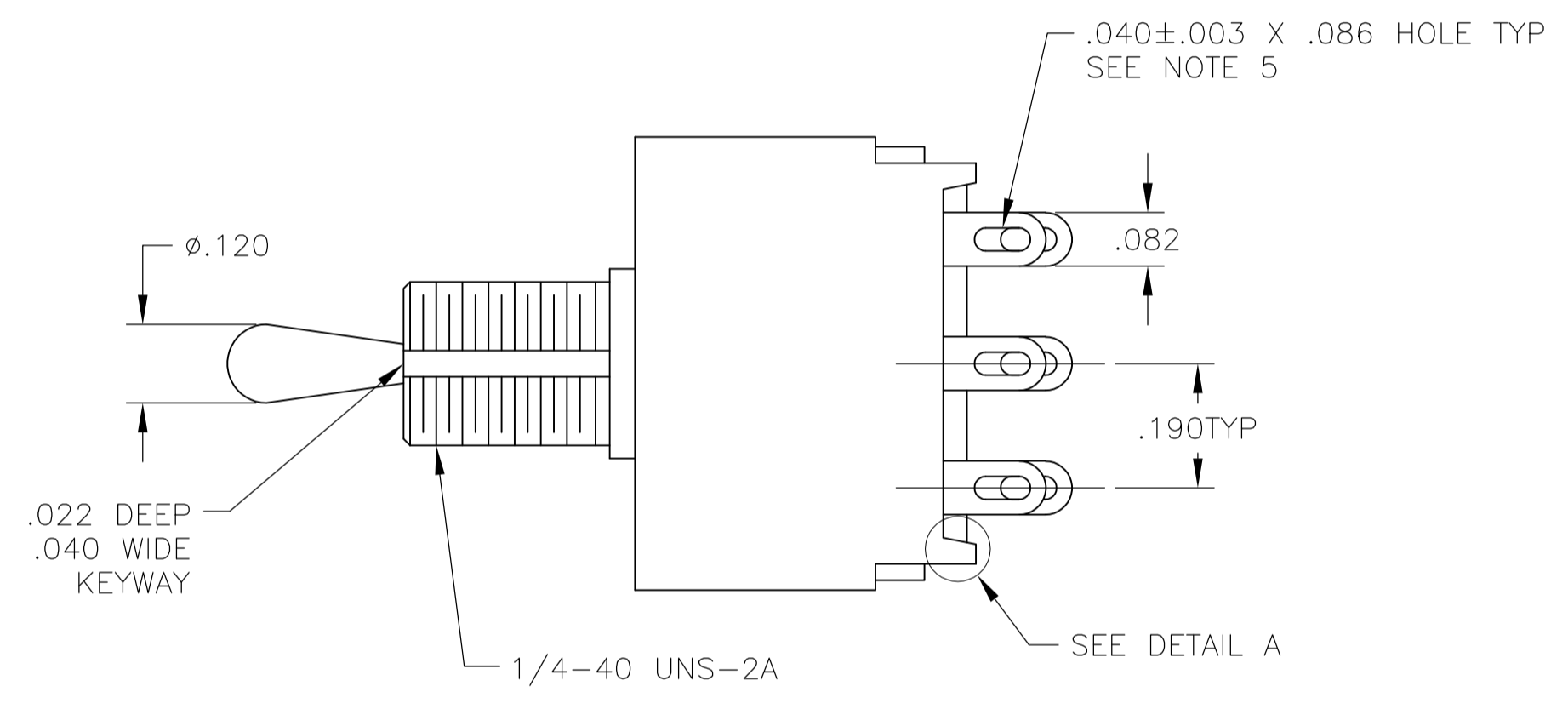
THIS DRAWING IS A CONTROLLED DOCUMENT.		DIN	M. BINNER	07SEP04	 Tyco Electronics Corporation Harrisburg, PA 17105-3608
DIMENSIONS: INCHES		CHK	M. ZITTO	07SEP04	
TOLERANCES UNLESS OTHERWISE SPECIFIED:		APP'D	M. ZITTO	07SEP04	NAME
0. PLC	± .005	PRODUCT SPEC		ALCOSWITCH GREEN SERIES TOGGLE SWITCH MTM VERTICAL MOUNT	
1. PLC	± .005	APPLICATION SPEC		-	
2. PLC	± .005	SIZE	A1	CAGE CODE	00779
3. PLC	± .005	DRAWING NO	1571921	RESTRICTED TO	-
4. PLC	± .005	WEIGHT	-	CUSTOMER DRAWING	
ANGLES	± 1	SCALE	4:1	SHEET	2 OF 3
MATERIAL	-	FINISH	-	REV	A1



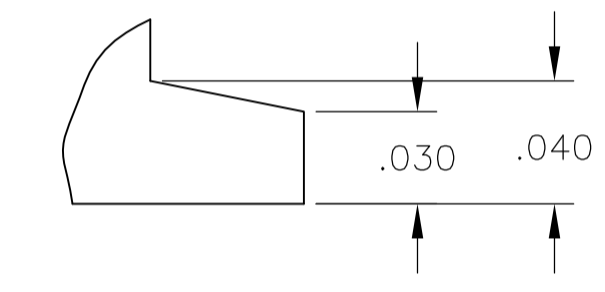
MTM306



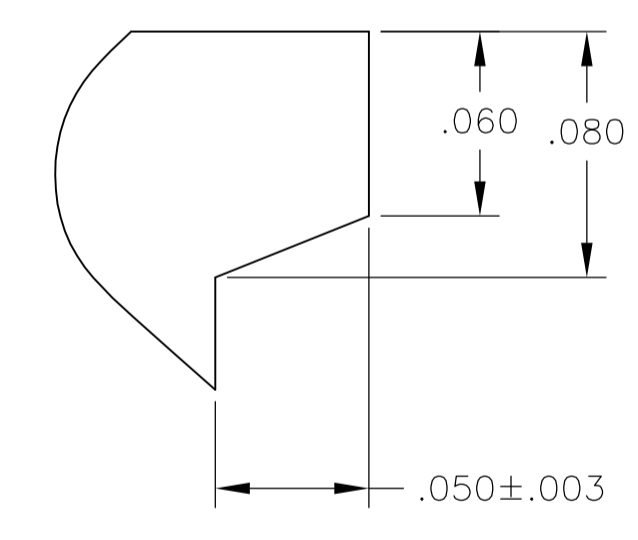
MTM406



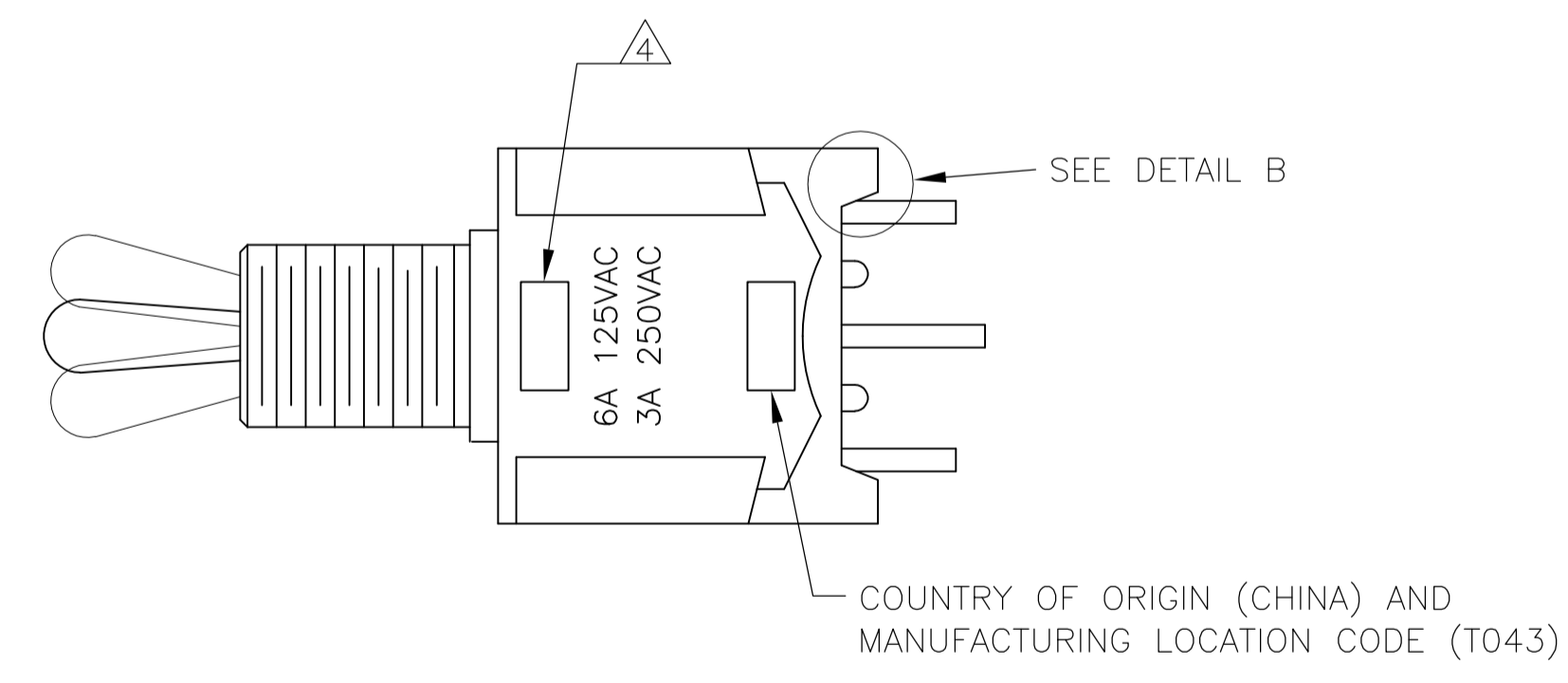
PC TERMINAL



DETAIL A
SCALE 16:1



DETAIL B
SCALE 16:1



WIRE LUG TERMINAL

THIS DRAWING IS A CONTROLLED DOCUMENT.		DIN: M. BINNER 07SEP04 CHK: M. ZITTO 07SEP04 APVD: M. ZITTO 07SEP04	Tyco Electronics Corporation Harrisburg, PA 17105-3608
DIMENSIONS: INCHES	TOLERANCES UNLESS OTHERWISE SPECIFIED: 0. PLC ± - 1. PLC ± - 2. PLC ± - 3. PLC ± .005 4. PLC ± - ANGLES ± 1	NAME: M. ZITTO PRODUCT SPEC: - APPLICATION SPEC: - WEIGHT: -	NAME: ALCOSWITCH GREEN SERIES TOGGLE SWITCH MTM VERTICAL MOUNT SIZE: A1 CAGE CODE: 00779 DRAWING NO: 1571921 RESTRICTED TO: -
MATERIAL: -		CUSTOMER DRAWING SCALE: 4:1 SHEET 3 OF 3 REV A1	