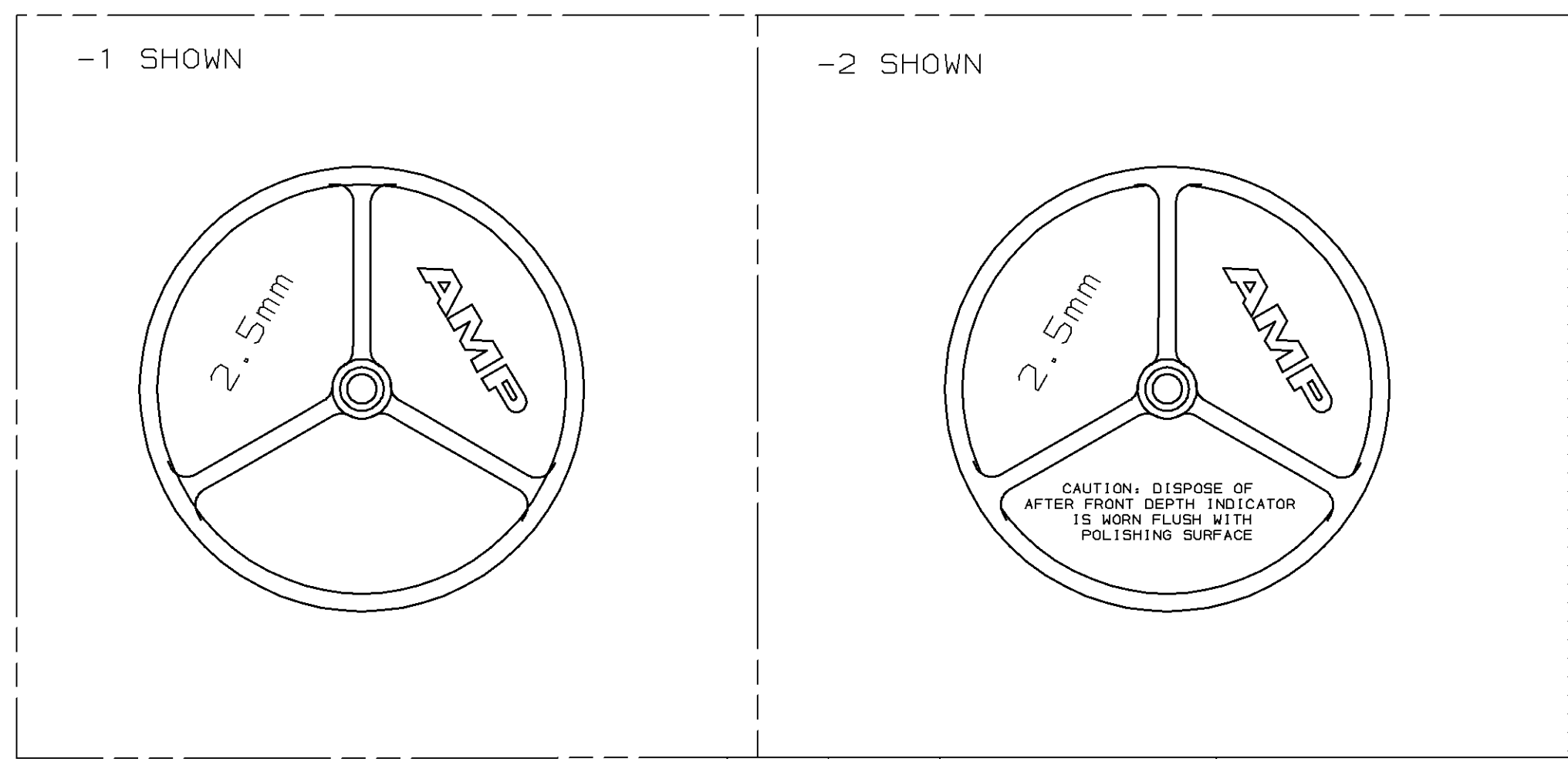
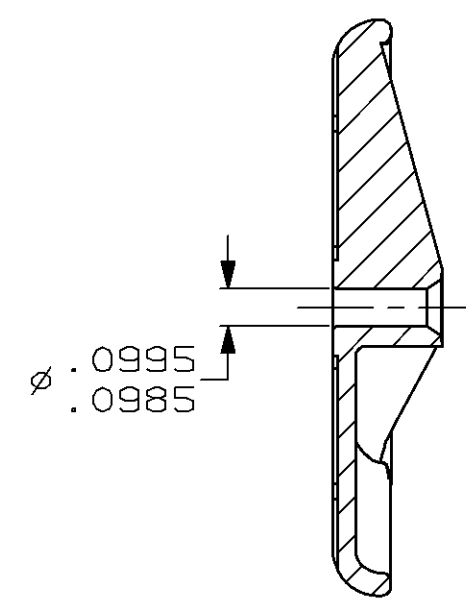
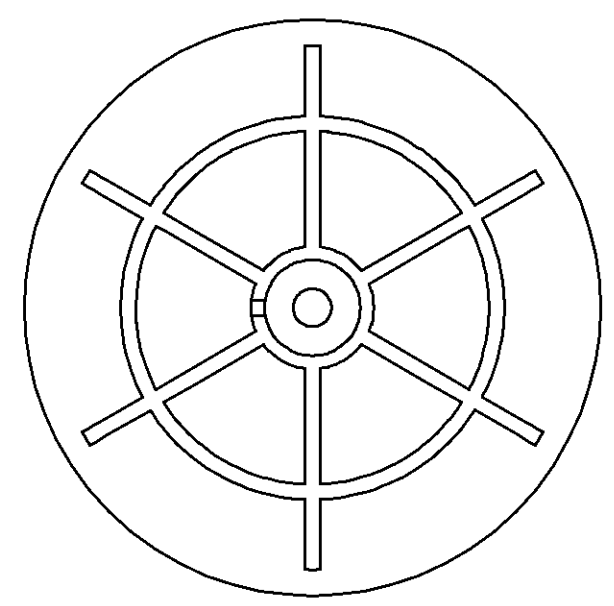
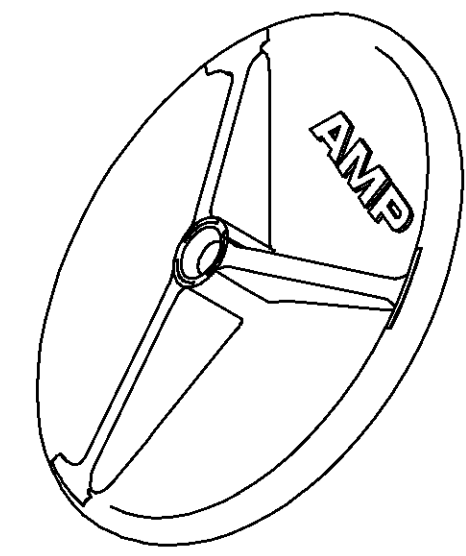
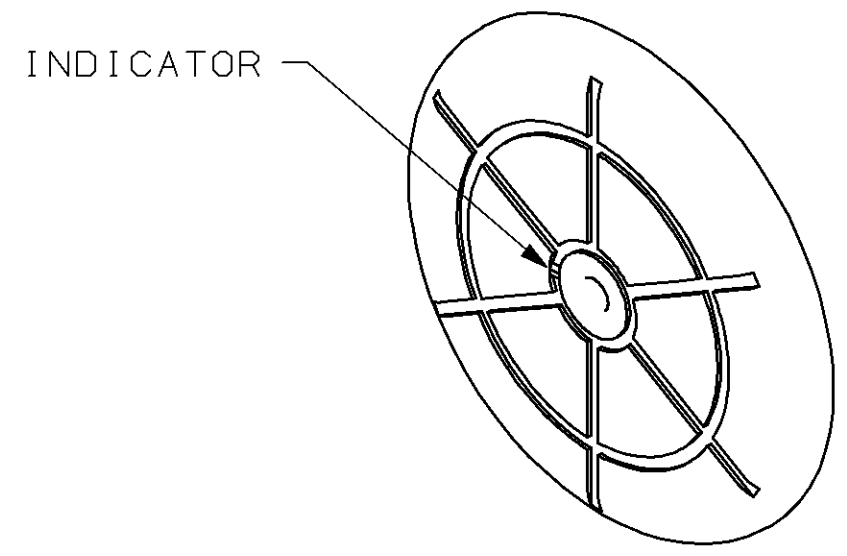
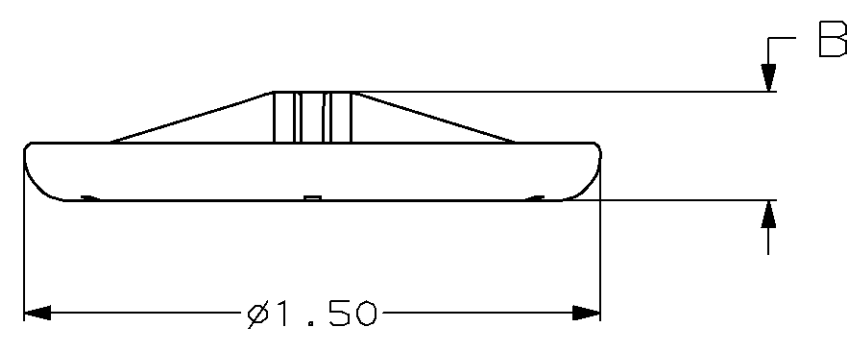


LOC	DIST	P	F	ZONE	LTR	DESCRIPTION	DATE	APPD
CE	16				B	REV PER 0A00-0574-98	16NOV98	JPM



NOTES:

- 503304-1 IS TO BE USED WITH 2.5mm CERAMIC AND STAINLESS STEEL CONNECTORS.
- 503304-2 IS TO BE USED WITH 2.5mm POLYMER COMPOSITE CONNECTORS.

- ③ THERMOPLASTIC, BLACK
- ④ THERMOPLASTIC, BEIGE

	MATERIAL	B DIM	PART NO
④		.3087	503304-2
③		.2850	503304-1

DO NOT SCALE PRINT. UNLESS SPECIFIED DIMENSIONS IN INCHES TOLERANCES ON: 2 PLC DEC ± .02 3 PLC DEC ± .005 ANGLES ± -	DR 9-10-93 J SKITKA CHK 9-10-93 J MCKEE APPD 9-10-93 B EDWARDS	AMP Incorporated Harrisburg, PA 17105-3608		
MATERIAL SEE TABLE	APPD 9-10-93 C KEGERISE PRODUCT SPEC -			NAME BUSHING, POLISHING, 2.5mm BAYONET, THERMOPLASTIC
FINISH -	APPLICATION SPEC -	SIZE C	CAGE CODE 00779	DRAWING NO G=503304
	WEIGHT -	SCALE 2:1	SHEET 1 OF 1	

THIS DRAWING IS A CONTROLLED DOCUMENT FOR AMP INCORPORATED. IT IS SUBJECT TO CHANGE AND THE CONTROLLING ENGINEERING ORGANIZATION SHOULD BE CONTACTED FOR THE LATEST REVISION.