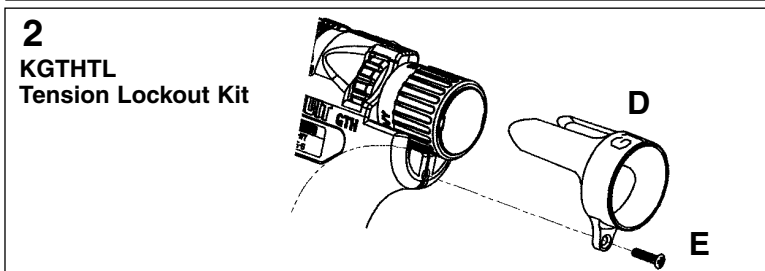
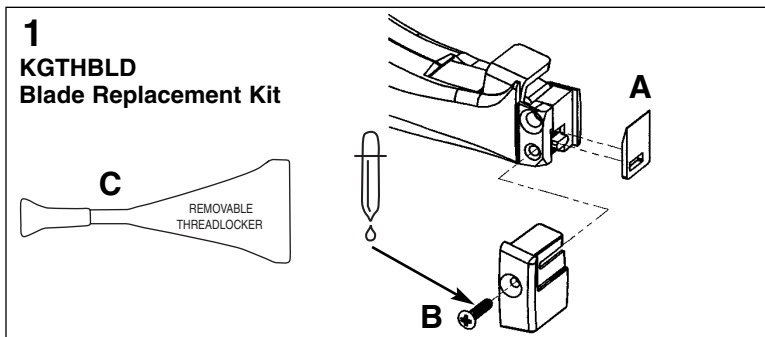


**REPLACEMENT KITS FOR: GTH
INSTALLATION INSTRUCTIONS**

© Panduit Corp. 2006

**ENGLISH****1. KGTHBLD – Blade Replacement Kit:**

- A: Blade
B: Screw
C: Removable Threadlocker

2. KGTHTL – Tension Lockout Kit

- D: Lockout
E: Screw

Replacement Parts (Sold Separately)

- WH24287C01 – Replacement Blade Guard Housing
WH25092A01 – Extended Blade Guard



For Technical Support:
Panduit Corp., USA, Tinley Park, IL
888-506-5400, ext. 3255 • Fax: 630-759-7532

Website: www.panduit.com
Email: cs@panduit.com

Panduit Europe, West World, Westgate, London
England Tel.: 0208 601 7200 • Fax.: 0208 601 7319

EU Website: www.panduit.com/emea
Email: cs-emea@panduit.com