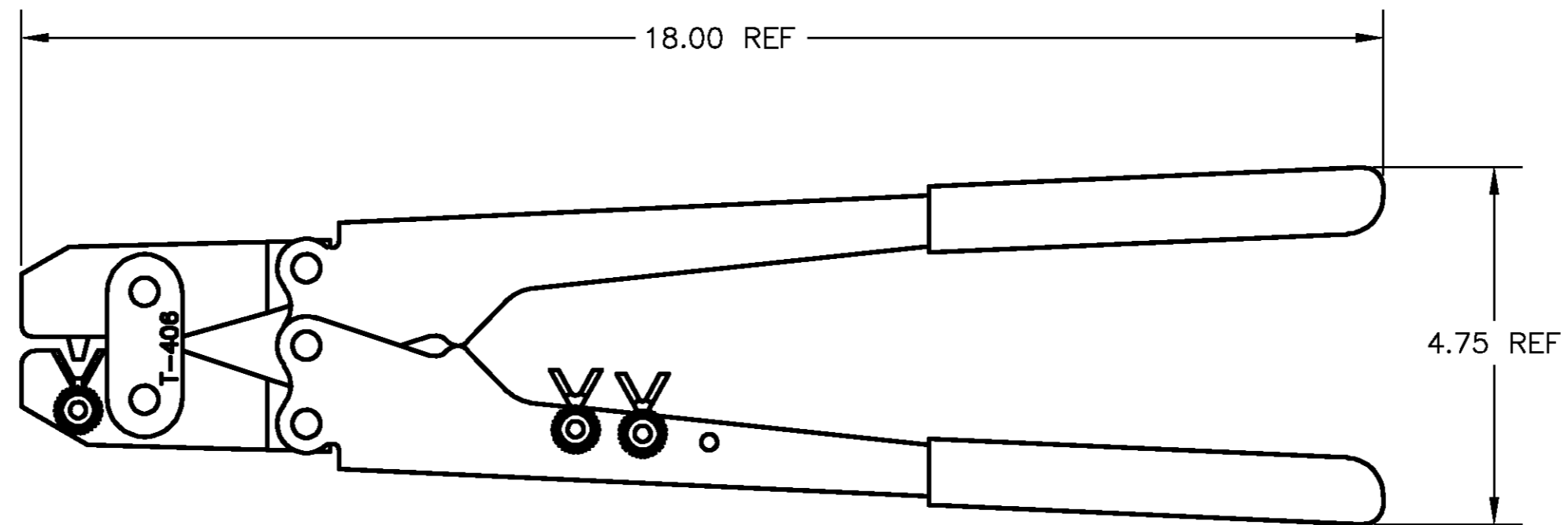


THIS DRAWING IS UNPUBLISHED. RELEASED FOR PUBLICATION  
 © COPYRIGHT BY TYCO ELECTRONICS CORPORATION. ALL RIGHTS RESERVED.

LDC		DIST		REVISIONS			
P	LTR	DESCRIPTION		DATE	DWN	APVD	
		0	DRAWN	03DEC02	JR	MS	

- 1 REFERENCE TOOLING INSTRUCTION SHEET 408-8540 FOR INSTRUCTIONS.
- 2 INTENDED FOR USE WITH HEAVY DUTY SEAMLESS LUGS AND SPLICES, SIZES 6 AWG TO 4/0 AWG.



1526955-1  
PART NO.

THIS DRAWING IS A CONTROLLED DOCUMENT.		DWN	JR RUTH	03DEC2002	Tyco Electronics Corporation Harrisburg, PA 17105	
DIMENSIONS: INCHES		GHK	MJ SPICER	03DEC02		
TOLERANCES UNLESS OTHERWISE SPECIFIED: 0 PLC ± - 1 PLC ± - 2 PLC ± - 3 PLC ± - 4 PLC ± - ANGLES ± -		APVD	MJ SPICER	03DEC02	NAME	
MATERIAL		PRODUCT SPEC		CRIMP TOOL		RESTRICTED TO
FINISH		APPLICATION SPEC		SIZE		CAGE CODE
		WEIGHT		DRAWING NO		
		4 lbs		A2 00779		1526955
		CUSTOMER DRAWING		SCALE		SHEET
				1:2		1 OF 1
						REV
						0

1526955

A